



*A multiple-roll clamp for handling a variety of roll sizes and paper types with flexibility and precision.*

## Handle two or four rolls at a time.

### APPLICATIONS

Designed for mills and stevedores where multiple roll handling improves productivity. The Multi-Roll Clamp is application rated and field proven for demanding high-cycle operations, and handles both half and full rolls from 31" to 63".

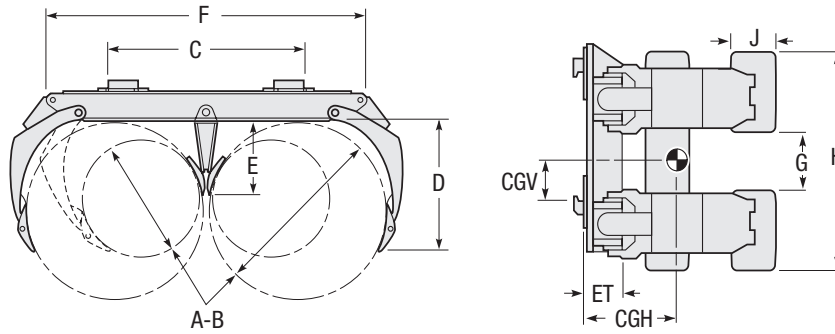
### MODELS

- Available for handling newsprint, coated stock, kraft and linerboard

### FEATURES

- High-strength tubular frame construction
- Hoses routed inside for maximum protection
- Vertical mounting frames located in front of mast rails for unparalleled visibility
- High-grip contact pad surfaces for reduced clamp force requirements
- Split arms to handle different roll diameters concurrently
- Lube-free pivot bushings provide longer service life
- Articulating center arm eliminates nip point damage
- Check valves and cylinders can be serviced without clamp disassembly





**Non-Rotating**

Capacity Lbs. @ Diameter	Roll Range A-B	Catalog Order No.	Mounting Class	Minimum Truck Carriage Width C	Weight (Lbs.)	Effective Thickness ET	Horizontal Center of Gravity CGH	Vertical Center of Gravity CGV	Arm Length D	Center Arm Length E	Frame Width F	Gap G	Height H	Pad Width J
10,000@51"	2x(36"-51")	100F-RCQ-05	III/IV③	48"	2,200	6.0"	10.8"	11.4"	37.8"	21.5"	90"	7"	33"	9"
12,320@51"	2x(36"-51")	120F-RCQ-05	IV ③	48"	2,420	6.5"	11.2"	20.0"	37.8"	21.5"	94"	12"	52"	11"
13,200@45"	2x(36"-51")	130F-RCQ-04	IV ③	48"	2,610	6.5"	11.4"	20.0"	37.8"	21.5"	95"	12"	52"	11"
15,400@63"	2x(36"-63")	150F-RCQ-06	③	②	2,900	7.2"	12.0"	20.0"	44.0"	21.5"	105"	12"	52"	11"
22,000@63"	2x(36"-63")	220F-RCQ-06	III/IV①	②	3,300	8.0"	13.5"	23.0"	44.0"	27.5"	115"	16"	58"	11"

- ① Pin Mounted
- ② Does not apply.
- ③ Pin mounting or Class V mounting available. Consult Cascade.
- ▶ Attachment capacity is a structural rating only. Actual attachment/truck net working capacities must be obtained from the lift truck manufacturer.

**OPTIONS**

- Various contact pad surfaces and sizes
- Pad protectors
- Leg stands
- Integral mounting
- Integral sideshifting
- Independent arm control
- Various frame heights and pad gaps

**HYDRAULIC FLOW AND PRESSURE**

Minimum	Recommended	Maximum	Max. Pressure
10 GPM	15 GPM	25 GPM	2,300 PSI

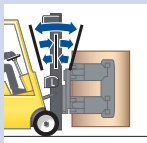
**HYDRAULIC FUNCTIONS**

Hydraulic Functions	Truck Auxiliary Valves Required
1	1

**MOUNTING CLASS INFORMATION**

Mounting Class	Truck Capacity
III	6,000-10,000lbs
IV	10,000-17,500lbs

**Tilt Control**



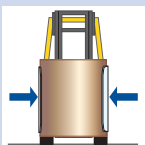
Automatically controls the angle of the mast and attachment, aligning pad with the load.

**Load Cushion™**



Hoist System Accumulator that absorbs shocks and reduces the clamp force required to handle the load. Available in one-pint and one-quart sizes.

**Automatic Force Control Products**



Computer-based clamping systems that automatically control the clamp force in proportion to the load weight.

**Clamp Open Guard**



The Clamp Open Guard system automatically prevents the roll from being unclamped while it is lifted.