



Parts Manual

Model _____ Rotator _____

Catalog Number _____ 80G-RRB-167 _____

cascade®
corporation

For Technical Assistance call: 800-227-2233, Fax: 888-329-8207

To Order Parts call: 888-227-2233, Fax: 888-329-0234

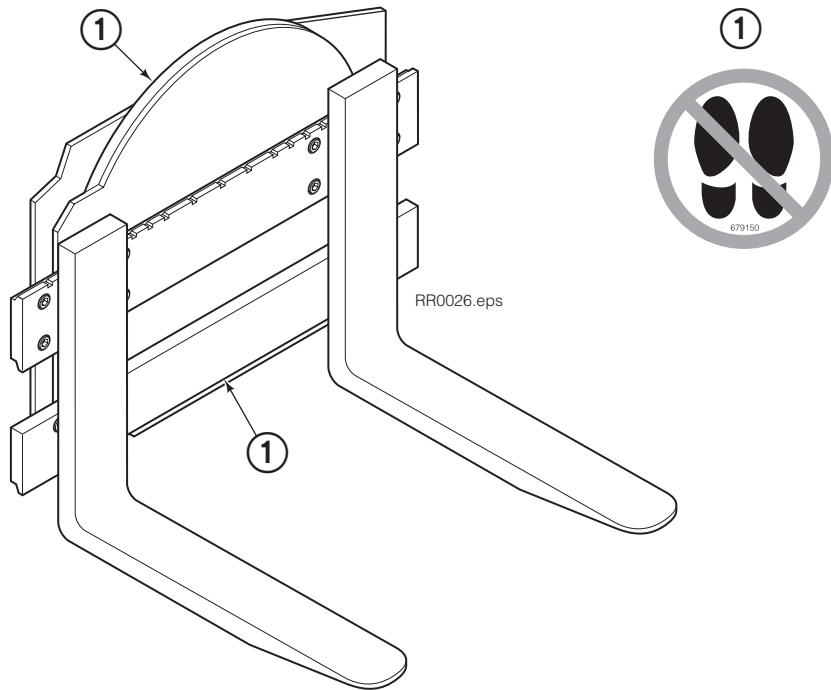
OR

Write: Cascade Corporation, P.O. Box 20187, Portland, OR 97220

Internet: www.cascorp.com

Blank

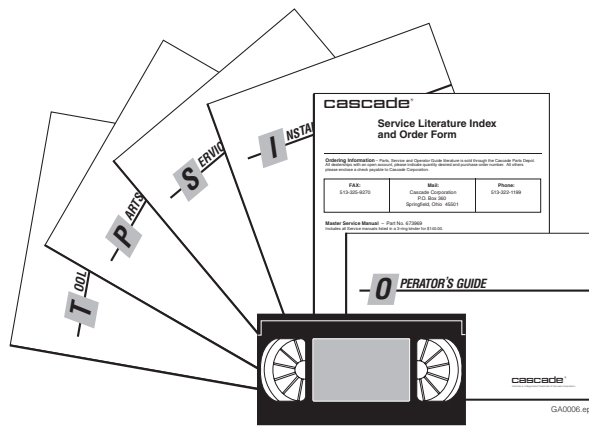
Safety Decals



RR0026.eps

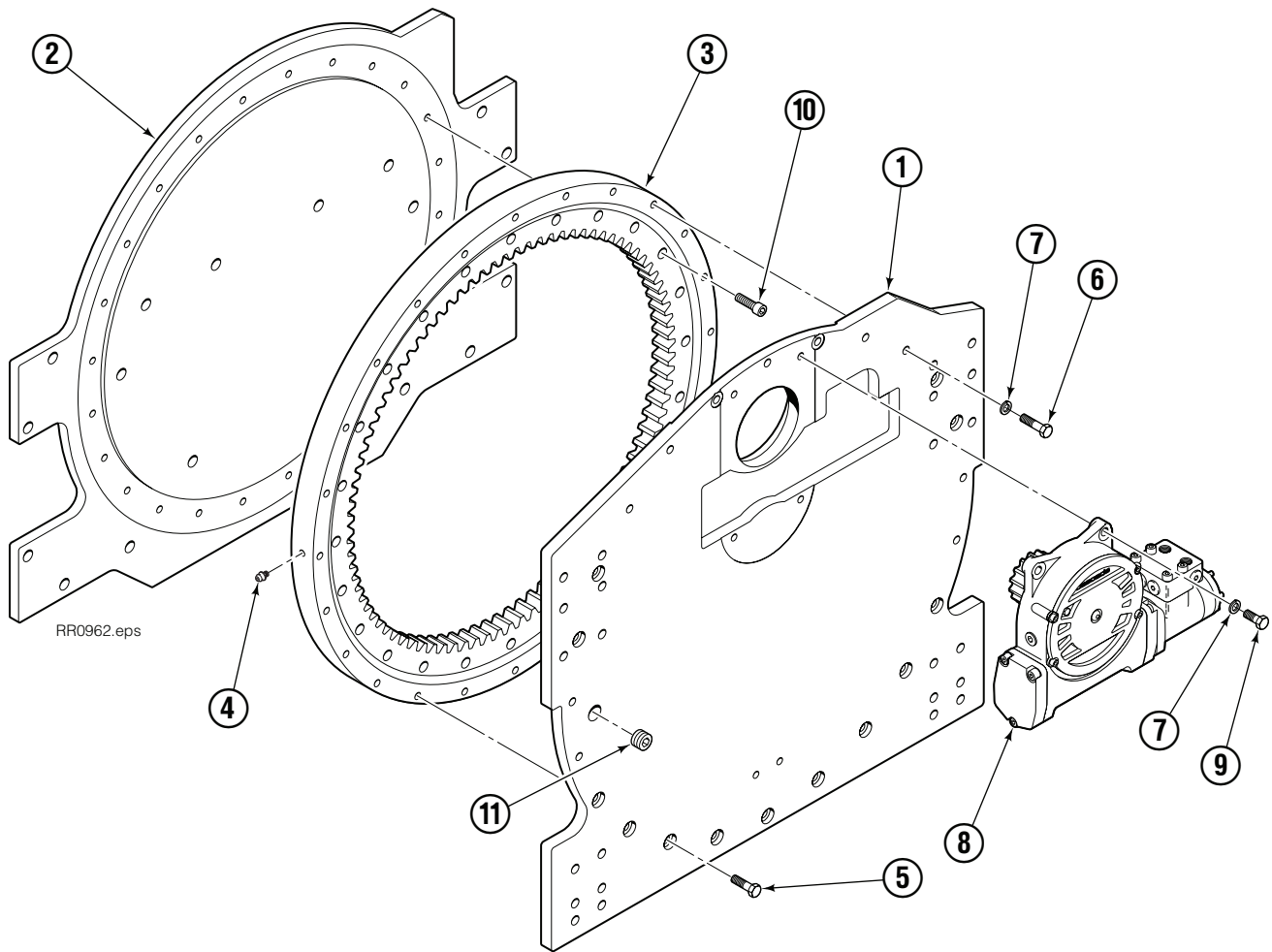
G Rotator			
REF	QTY	PART NO.	DESCRIPTION
1	1	679150	No Step Decal

Publications



G Rotator	
6073002	Installation Instructions
672714	Operator Guide
6073955	Service Manual
679929	Tool Catalog
673964	Literature Index Order Form

Rotator Group



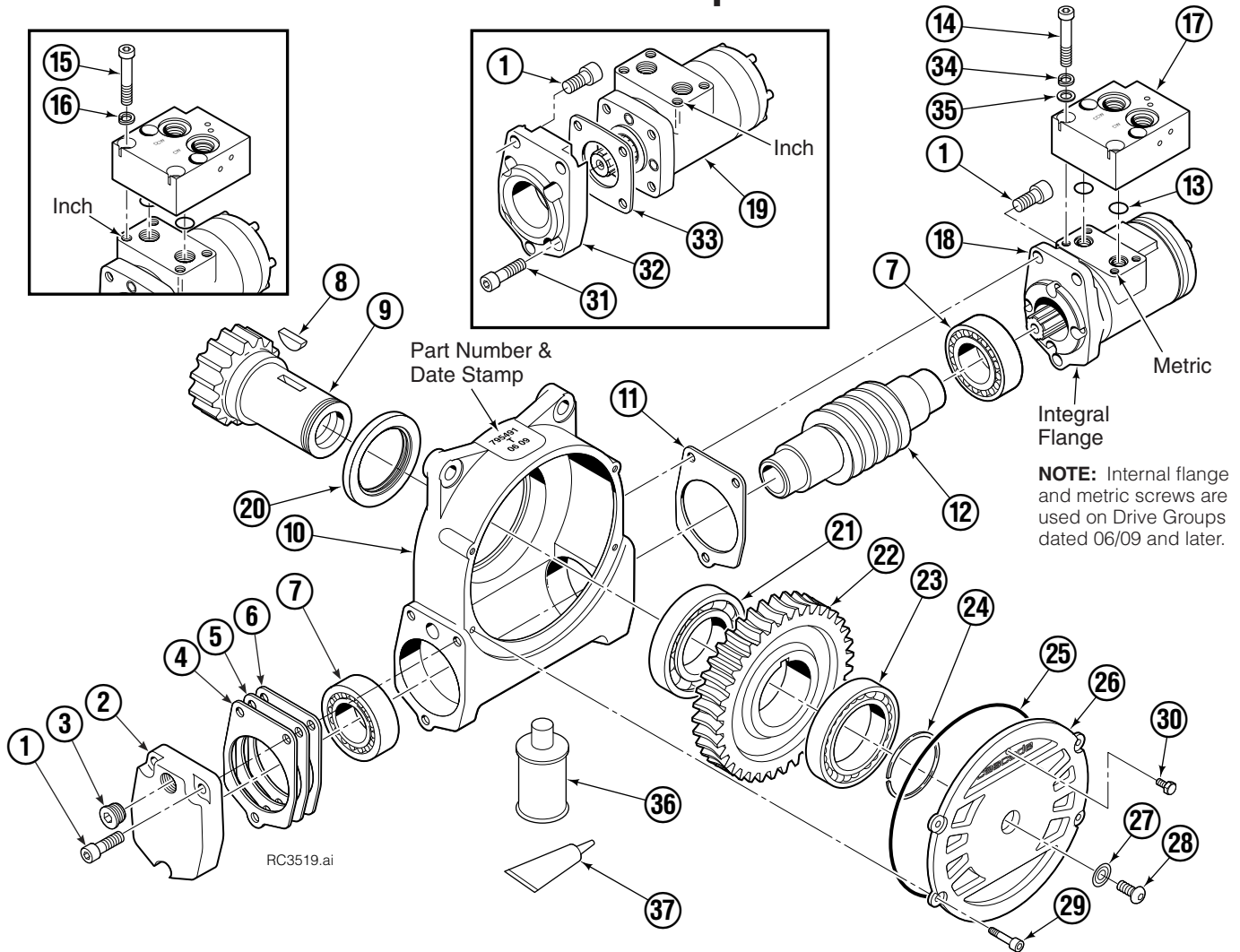
REF	QTY	PART NO.	DESCRIPTION
		6087527	Rotator Group
1	1	6074758	Baseplate
2	1	608752	Faceplate
3	1	775963	Bearing Assembly
4	1	7401	Grease Fitting
5	13	214487	Capscrew, M12 x 40
6	11	206174	Capscrew, M12 x 45
7	15	683822	Lockwasher, M12
8	1	6067673	Drive Group ◆ ●
9	4	211689	Capscrew, M12 x 30
10	24	767596	Capscrew, M12 x 40
11	1	6605	Plug

◆ See Drive Group page for parts breakdown.

● Not included in Rotator Group.

Reference: Common Parts 6074804, Fastener Kit 6070475.

Drive Group



REF	QTY	PART NO.	DESCRIPTION	REF	QTY	PART NO.	DESCRIPTION
		6067673	Drive Group with 3.0 c.i. Motor	20	1	3014870	Seal
1	6	769570	Capscrew, M12 x 25	21	1	6033892	Bearing ★
2	1	676855	Cover	22	1	675609	Worm Gear
3	1	604510	Fitting, 6	23	1	670581	Bearing
4	●	670574	Shim – .010" (brown)	24	1	7214	Snap Ring
5	●	671757	Shim – .015" (pink)	25	1	643423	O-Ring
6	●	671758	Shim – .020" (yellow)	26	1	775552	Cover
7	2	670579	Bearing	27	1	783609	Seal
8	1	670582	Key	28	1	783608	Capscrew, M10 x 16
9	1	670556	Pinion	29	4	200882	Capscrew, M8 x 20
10	1	775551	Housing	30	1	644010	Relief Fitting
11	1	686465	Gasket	31	4	4468	Capscrew, 3/8 NC x .75
12	1	675608	Worm	32	1	775553	Adapter
13	2	1013113	O-Ring, Viton	33	1	670575	Gasket
14	4	768798	Capscrew, M8 x 40	34	4	787384	Lockwasher, M8
15	4	607059	Capscrew, 5/16 NC x 1.75	35	4	221494	Washer, M8
16	4	6444	Lockwasher, 5/16	36	1	656300	Gear Box Lube – 48 oz.
17	1	6063316	Check Valve ◆	37	1	668184	Sealant
18	1	6097956	Drive Motor – 3.0 c.i. ■			670578	Shim Service Kit (items 4-6, 11, 25, 37)
19	1	6031470	Drive Motor – 3.0 c.i. ■				

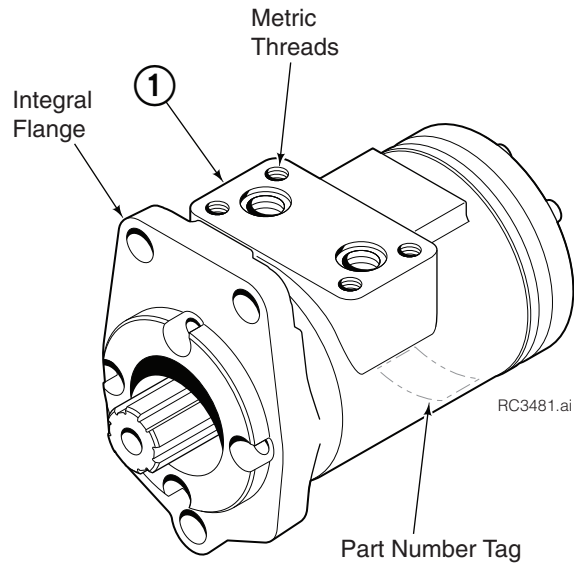
● Quantity as required.

◆ See Valve page for parts breakdown.

■ See Drive Motor page for parts breakdown.

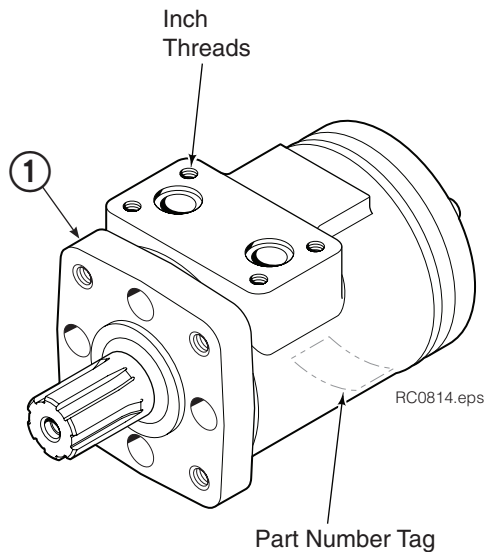
★ For service replacement use Bearing 670580.

Drive Motor



REF	QTY	PART NO.	DESCRIPTION
1	1	6097956	Drive Motor – 3.0 c.i.
●	1	374612	Service Kit – Viton

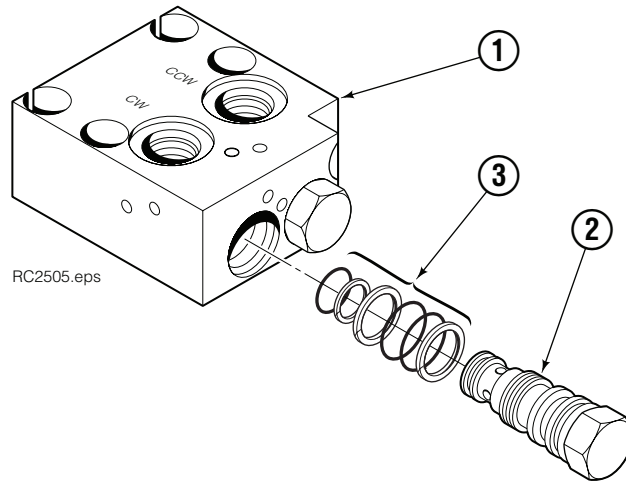
● Compatible with water glycol based hydraulic fluids.
 Cascade provides service replacement parts for the listed parts only. Due to cost, if other parts need replacement, the complete drive motor should be replaced.



REF	QTY	PART NO.	DESCRIPTION
1	1	6031470	Drive Motor – 3.0 c.i.
●	1	374612	Service Kit – Viton

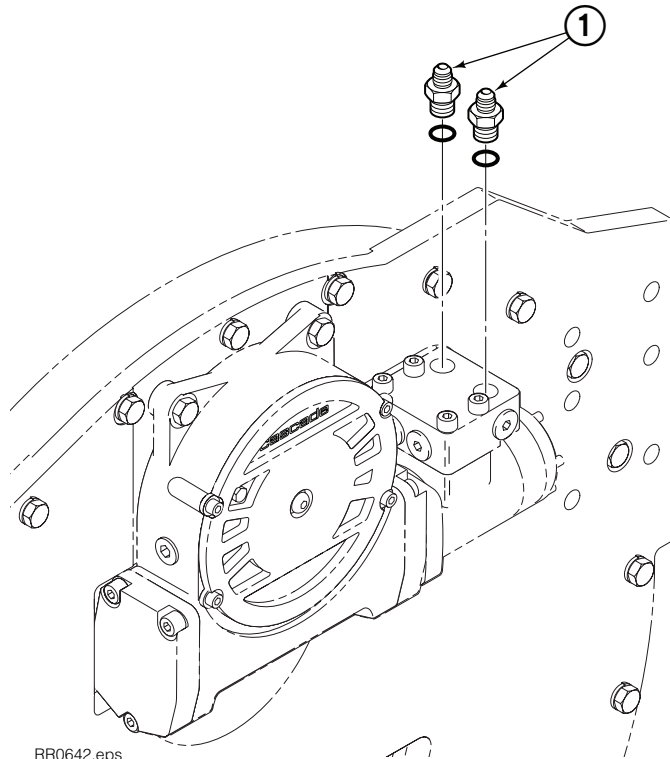
● Compatible with water glycol based hydraulic fluids.
 Cascade provides service replacement parts for the listed parts only. Due to cost, if other parts need replacement, the complete drive motor should be replaced.

Check Valve



REF	QTY	PART NO.	DESCRIPTION
		6063316	Check Valve Assembly
1	1	6063282	Valve Body
2	2	6038929	Check Valve – PO
3	2	667516	Service Kit

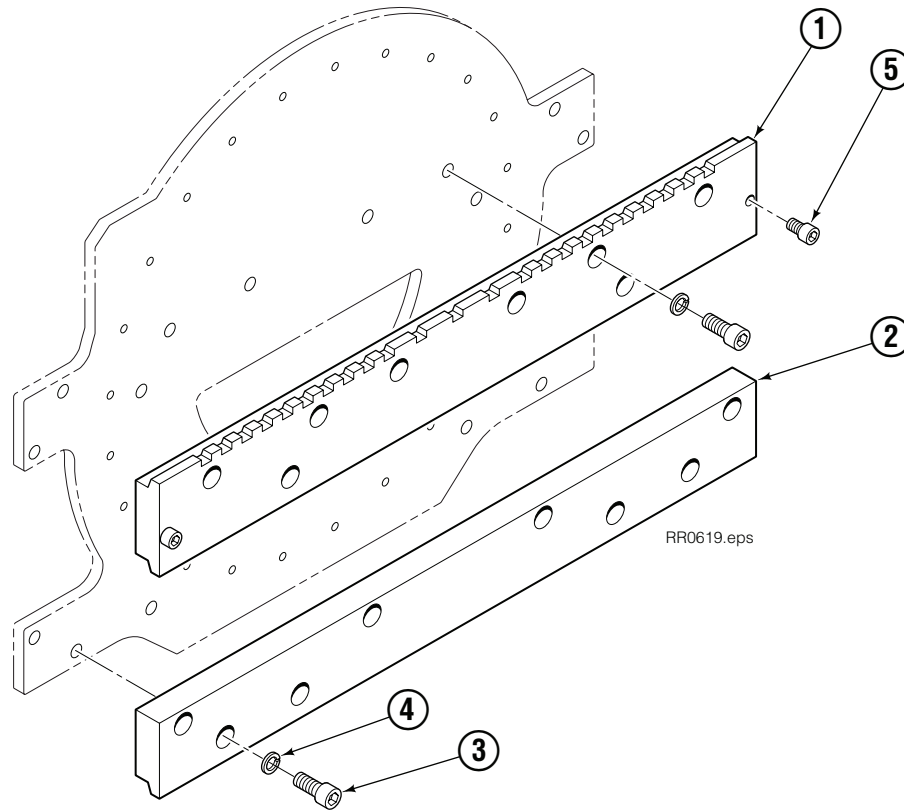
Fitting Group



RR0642.eps

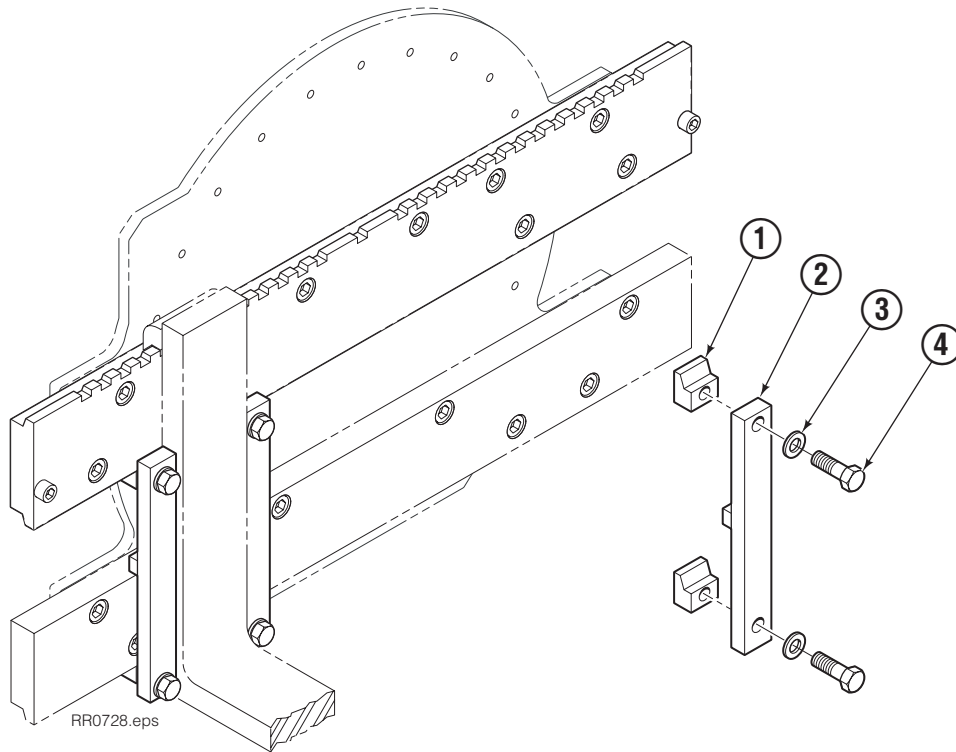
REF	QTY	PART NO.	DESCRIPTION
		785352	Fitting Group
1	2	611288	Fitting, 8-6

Fork Bar Group



80G			
REF	QTY	PART NO.	DESCRIPTION
		6066419	Fork Bar Group, 1116 mm (44 in.)
1	1	6066415	Upper Fork Bar
2	1	6066416	Lower Fork Bar
3	16	769581	Capscrew, M20 x 45
4	16	779506	Lockwasher, M20
5	2	775443	Capscrew, M16 x 25

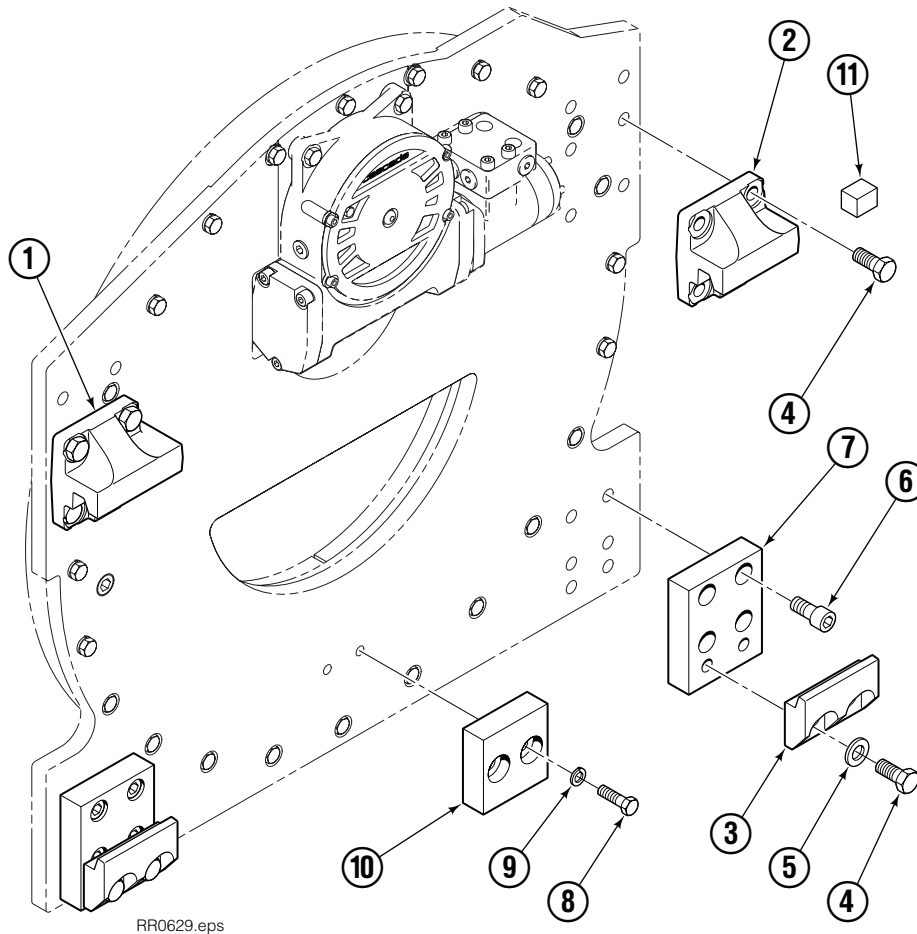
Restraint Kit



RR0728.eps

80G			
REF	QTY	PART NO.	DESCRIPTION
		6086616	Restraint Kit
1	8	6078447	Restraint Hook
2	4	6086617	Bar
3	8	681346	Lockwasher, M20
4	8	6055306	Capscrew, M20 x 70

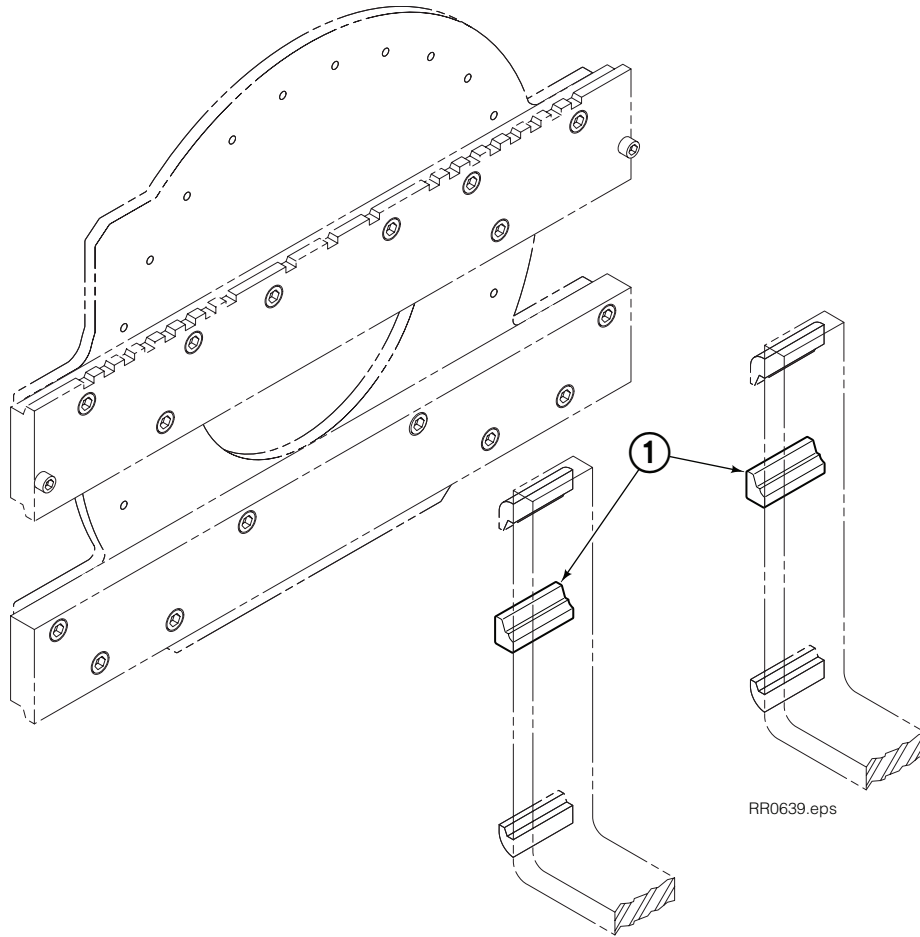
Mounting Group



RR0629.eps

REF	QTY	PART NO.	DESCRIPTION
		6066617	Mounting Group-R3
1	1	670684	Upper Hook, LH
2	1	670685	Upper Hook, RH
3	2	675969	Lower Hook
4	12	779010	Capscrew
5	4	211179	Washer
6	8	769574	Capscrew
7	2	6066814	Adapter Plate
8	2	768555	Capscrew
9	2	683822	Lockwasher
10	1	670687	Bumper
11	1	670704	Stop Block Kit

Middle Hook



REF	QTY	PART NO.	DESCRIPTION
1	2	689281	Middle Hook

Do you have questions you need answered right now?

Call your nearest Cascade Parts Department.

Visit us online at www.cascorp.com

AMERICAS

**Cascade Corporation
Parts Sales**

2501 Sheridan Ave.
Springfield, OH 45505
Tel: 888-CASCADE (227-2233)
Fax: 888-329-0234

Cascade Canada Inc.

5570 Timberlea Blvd.
Mississauga, Ontario
Canada L4W-4M6
Tel: 905-629-7777
Fax: 905-629-7785

Cascade do Brasil

Rua João Guerra, 134
Macuco, Santos - SP
Brasil 11015-130
Tel: 55-13-2105-8800
Fax: 55-13-2105-8899

EUROPE-AFRICA

**Cascade Italia S.R.L.
European Headquarters**

Via Dell'Artigianato 1
37030 Vago di Lavagno (VR)
Italy
Tel: 39-045-8989111
Fax: 39-045-8989160

Cascade (Africa) Pty. Ltd.

PO Box 625, Isando 1600
60A Steel Road
Sparton, Kempton Park
South Africa
Tel: 27-11-975-9240
Fax: 27-11-394-1147

ASIA-PACIFIC

Cascade Japan Ltd.

2-23, 2-Chome,
Kukuchi Nishimachi
Amagasaki, Hyogo
Japan, 661-0978
Tel: 81-6-6420-9771
Fax: 81-6-6420-9777

Cascade Korea

121B 9L Namdong Ind.
Complex, 691-8 Gojan-Dong
Namdong-Ku
Inchon, Korea
Tel: +82-32-821-2051
Fax: +82-32-821-2055

Cascade-Xiamen

No. 668 Yangguang Rd.
Xinyang Industrial Zone
Haicang, Xiamen City
Fujian Province
P.R. China 361026
Tel: 86-592-651-2500
Fax: 86-592-651-2571

**Cascade India Material
Handling Private Limited**

No 34, Global Trade Centre
1/1 Rambaugh Colony
Lal Bahadur Shastri Road,
Navi Peth, Pune 411 030
(Maharashtra) India
Phone: +91 020 2432 5490
Fax: +91 020 2433 0881

Cascade Australia Pty. Ltd.

1445 Ipswich Road
Rocklea, QLD 4107
Australia
Tel: 1-800-227-223
Fax: +61 7 3373-7333

Cascade New Zealand

15 Ra Ora Drive
East Tamaki, Auckland
New Zealand
Tel: +64-9-273-9136
Fax: +64-9-273-9137

**Sunstream Industries
Pte. Ltd.**

18 Tuas South Street 5
Singapore 637796
Tel: +65-6795-7555
Fax: +65-6863-1368

