



# Parts Manual

---

**Model** \_\_\_\_\_ **Rotator** \_\_\_\_\_  
**Catalog Number** \_\_\_\_\_ **80G-RRB-132** \_\_\_\_\_

---

**cascade**®  
**corporation**

**For Technical Assistance call:** 800-227-2233, Fax: 888-329-8207

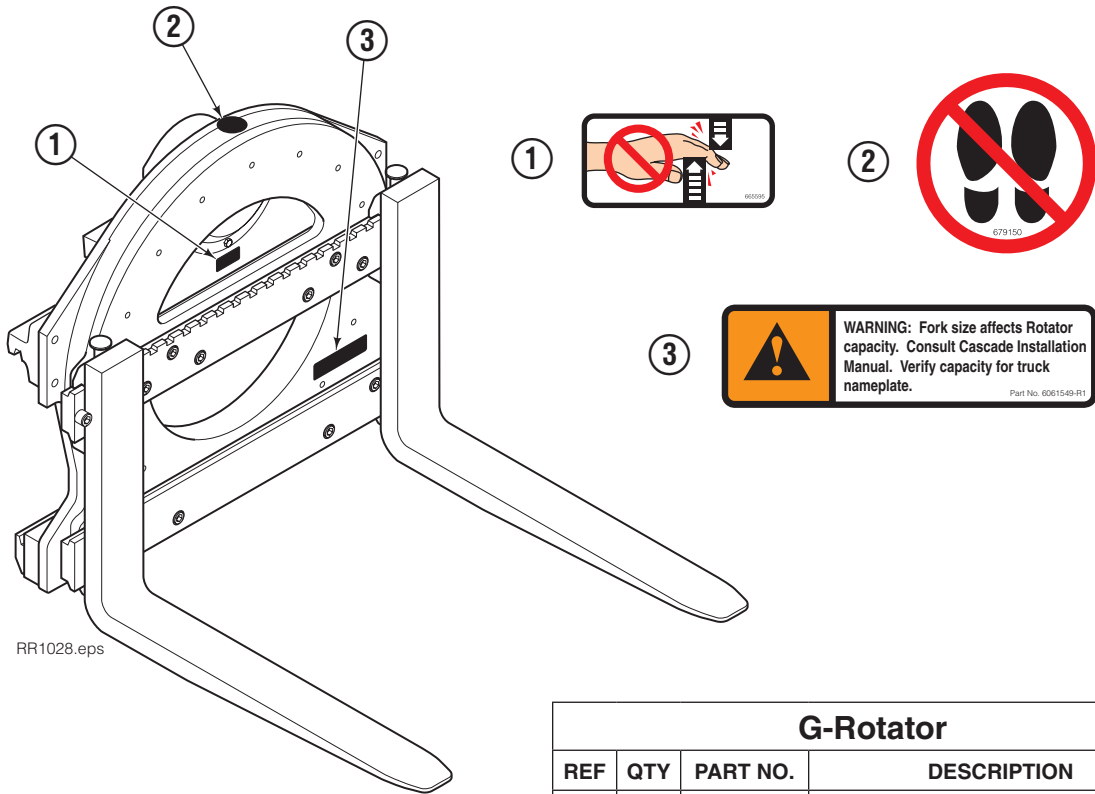
**To Order Parts call:** 888-227-2233, Fax: 888-329-0234

**OR**

**Write:** Cascade Corporation, P.O. Box 20187, Portland, OR 97220

**Internet:** [www.cascorp.com](http://www.cascorp.com)

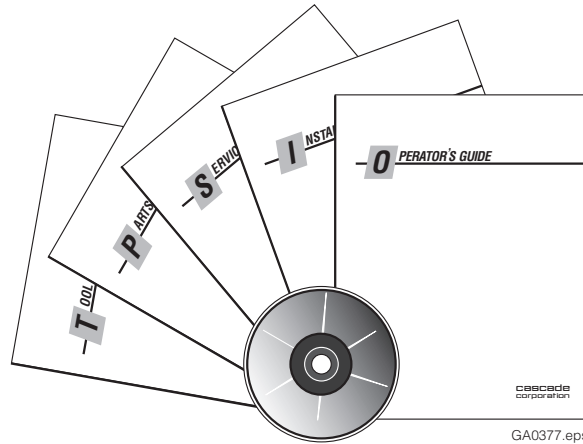
# Safety Decals



RR1028.eps

G-Rotator			
REF	QTY	PART NO.	DESCRIPTION
1	1	665595	Pinch Point Decal
2	1	679150	No Step Decal
3	1	6061549	Capacity Decal

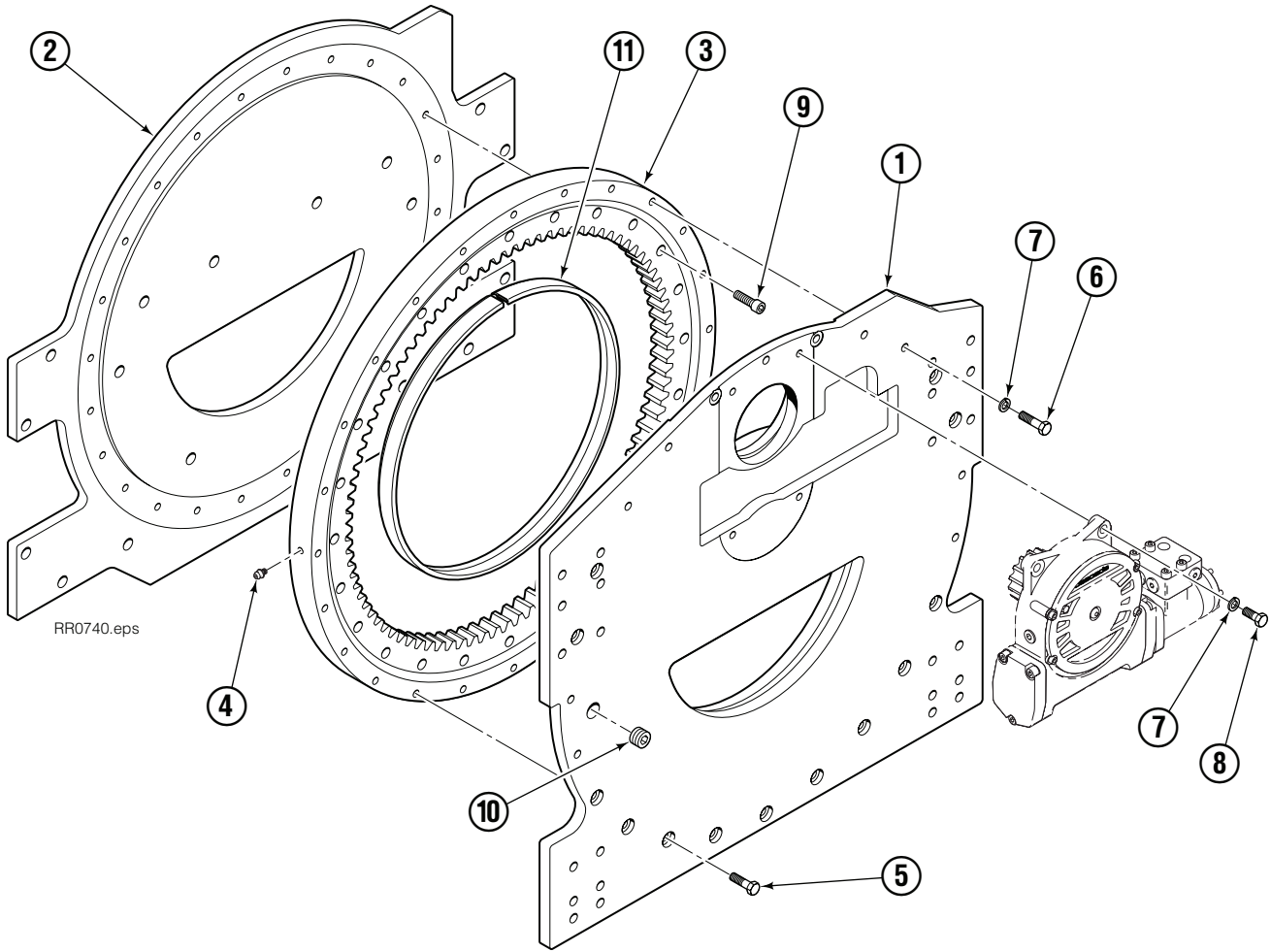
# Publications



GA0377.eps

G-Rotator	
6073002	Installation Instructions
672714	Operator Guide
6073955	Service Manual
679929	Tool Catalog

# Base Unit



80G			
REF	QTY	PART NO.	DESCRIPTION
		6062428	Base Unit Group
1	1	6061684	Baseplate
2	1	6066053	Faceplate
3	1	775963	Bearing Assembly
4	1	7401	Grease Fitting
5	13	214487	Capscrew, M12 x 40 ●
6	11	206174	Capscrew, M12 x 45 ●
7	15	683822	Lockwasher, M12 ●
8	4	211689	Capscrew, M12 x 30
9	24	767596	Capscrew, M12 x 40 ■
10	1	6605	Plug
11	1	6083805	Seal ◆

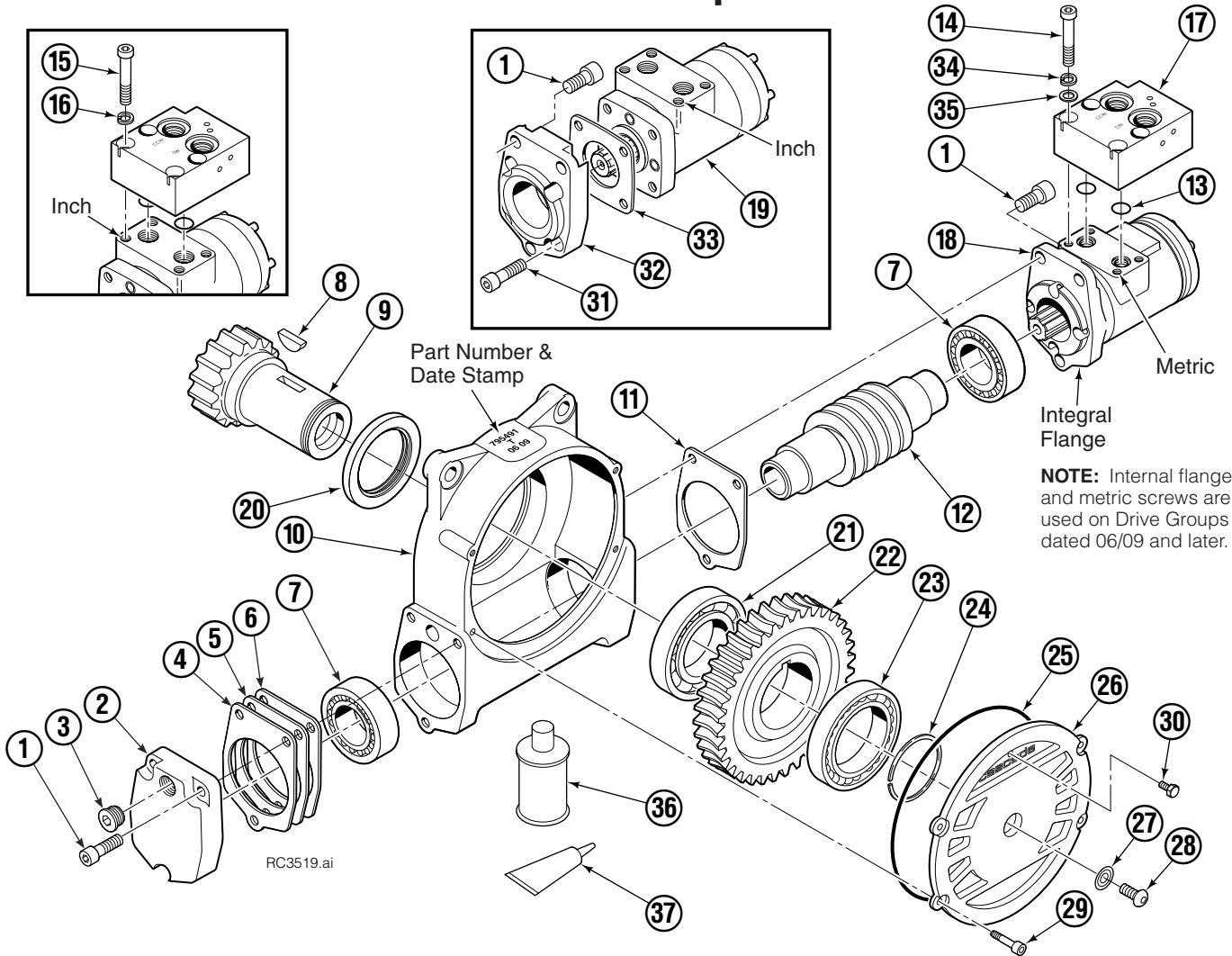
● Included in Baseplate Service Kit 6076302.

■ Included in Faceplate Service Kit 6052781.

◆ Included in Seal Service Kit 6083904.

Reference: Common Parts 6063323, Fastener Kit 6070475.

# Drive Group



REF	QTY	PART NO.	DESCRIPTION	REF	QTY	PART NO.	DESCRIPTION
		6067673	Drive Group with 3.0 c.i. Motor	20	1	3014870	Seal
1	6	769570	Capscrew, M12 x 25	21	1	6033892	Bearing ★
2	1	676855	Cover	22	1	675609	Worm Gear
3	1	604510	Fitting, 6	23	1	670581	Bearing
4	●	670574	Shim – .010" (brown)	24	1	7214	Snap Ring
5	●	671757	Shim – .015" (pink)	25	1	643423	O-Ring
6	●	671758	Shim – .020" (yellow)	26	1	775552	Cover
7	2	670579	Bearing	27	1	783609	Seal
8	1	670582	Key	28	1	783608	Capscrew, M10 x 16
9	1	670556	Pinion	29	4	200882	Capscrew, M8 x 20
10	1	775551	Housing	30	1	644010	Relief Fitting
11	1	686465	Gasket	31	4	4468	Capscrew, 3/8 NC x .75
12	1	675608	Worm	32	1	775553	Adapter
13	2	1013113	O-Ring, Viton	33	1	670575	Gasket
14	4	768798	Capscrew, M8 x 40	34	4	787384	Lockwasher, M8
15	4	607059	Capscrew, 5/16 NC x 1.75	35	4	221494	Washer, M8
16	4	6444	Lockwasher, 5/16	36	1	656300	Gear Box Lube – 48 oz.
17	1	6063316	Check Valve ◆	37	1	668184	Sealant
18	1	6097956	Drive Motor – 3.0 c.i. ■			670578	Shim Service Kit (items 4-6,11,25,37)
19	1	6031470	Drive Motor – 3.0 c.i. ■				

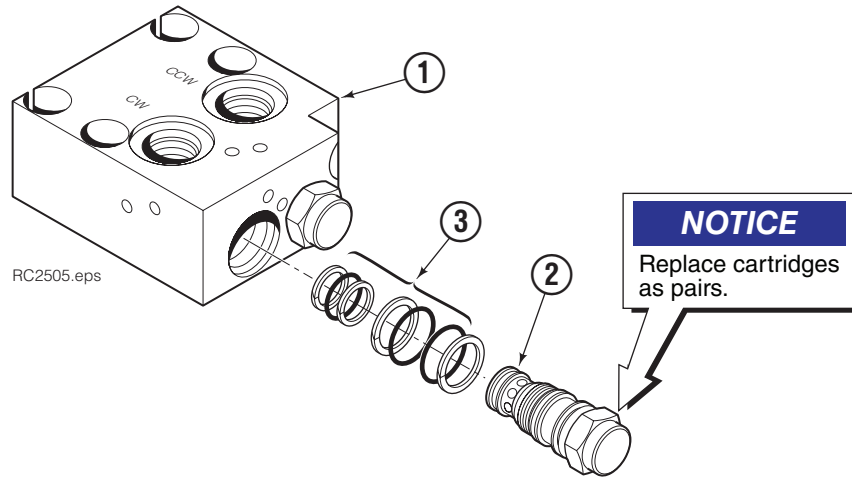
● Quantity as required.

◆ See Valve page for parts breakdown.

■ See Drive Motor page for parts breakdown.

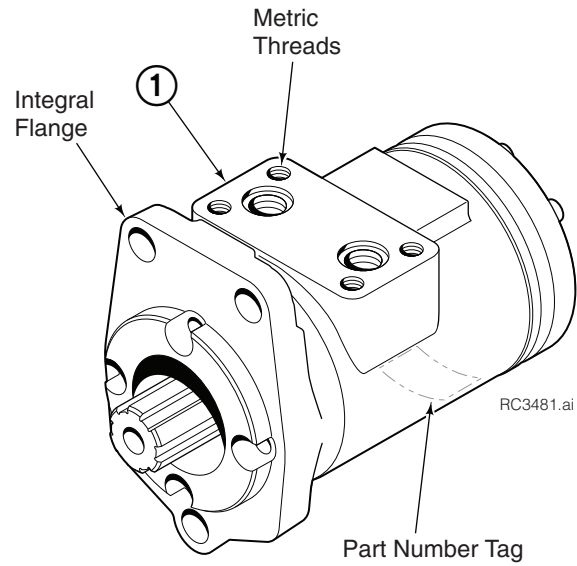
★ For service replacement use Bearing 670580.

# Check Valve



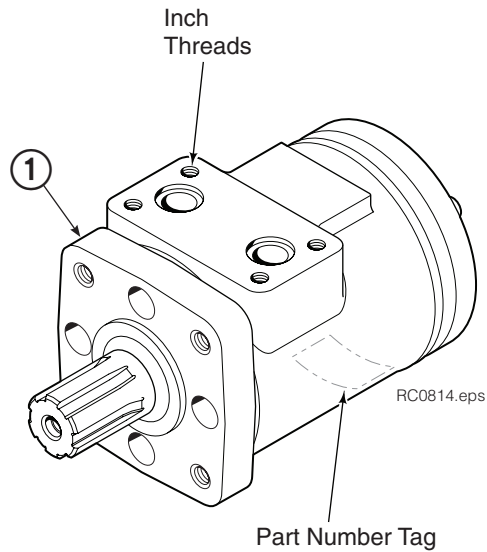
REF	QTY	PART NO.	DESCRIPTION
		6063316	Check Valve Assembly (R3)
1	1	6063282	Valve Body
2	2	6892871	Counterbalance Valve
3	2	667516	Service Kit

# Drive Motor



REF	QTY	PART NO.	DESCRIPTION
1	1	6097956	Drive Motor – 3.0 c.i.
●	1	374612	Service Kit – Viton

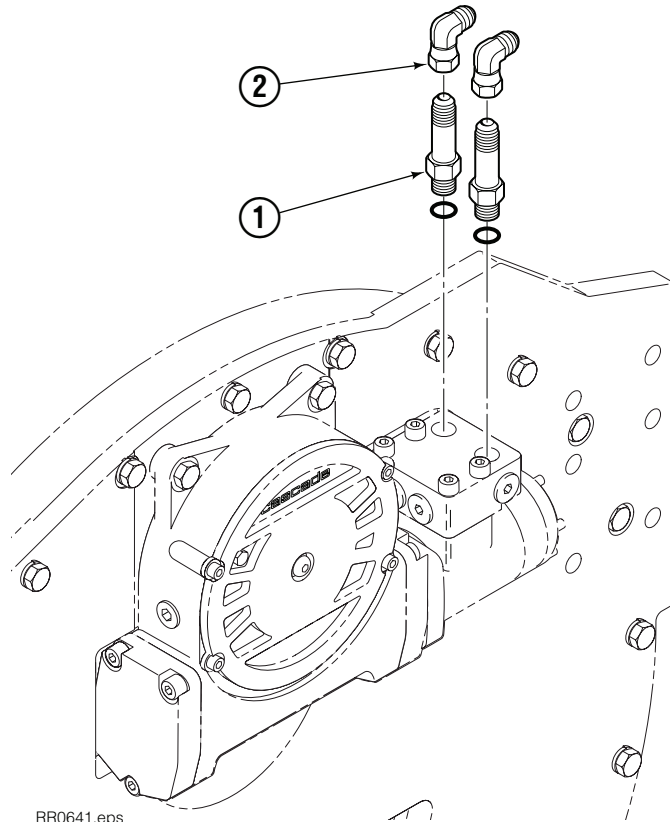
● Compatible with water glycol based hydraulic fluids.  
 Cascade provides service replacement parts for the listed parts only. Due to cost, if other parts need replacement, the complete drive motor should be replaced.



REF	QTY	PART NO.	DESCRIPTION
1	1	6031470	Drive Motor – 3.0 c.i.
●	1	374612	Service Kit – Viton

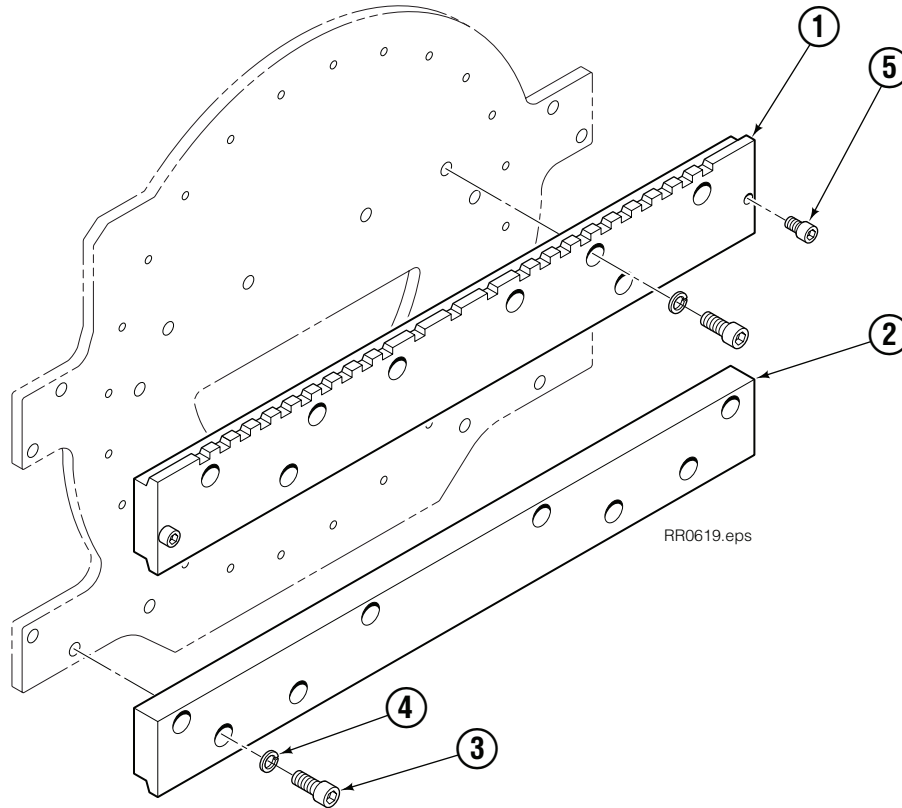
● Compatible with water glycol based hydraulic fluids.  
 Cascade provides service replacement parts for the listed parts only. Due to cost, if other parts need replacement, the complete drive motor should be replaced.

# Fitting Group



REF	QTY	PART NO.	DESCRIPTION
		212367	Fitting Group
1	1	601377	Fitting, 8-8
2	1	605761	Fitting, 8-8
3	1	601250	Fitting, 8-8

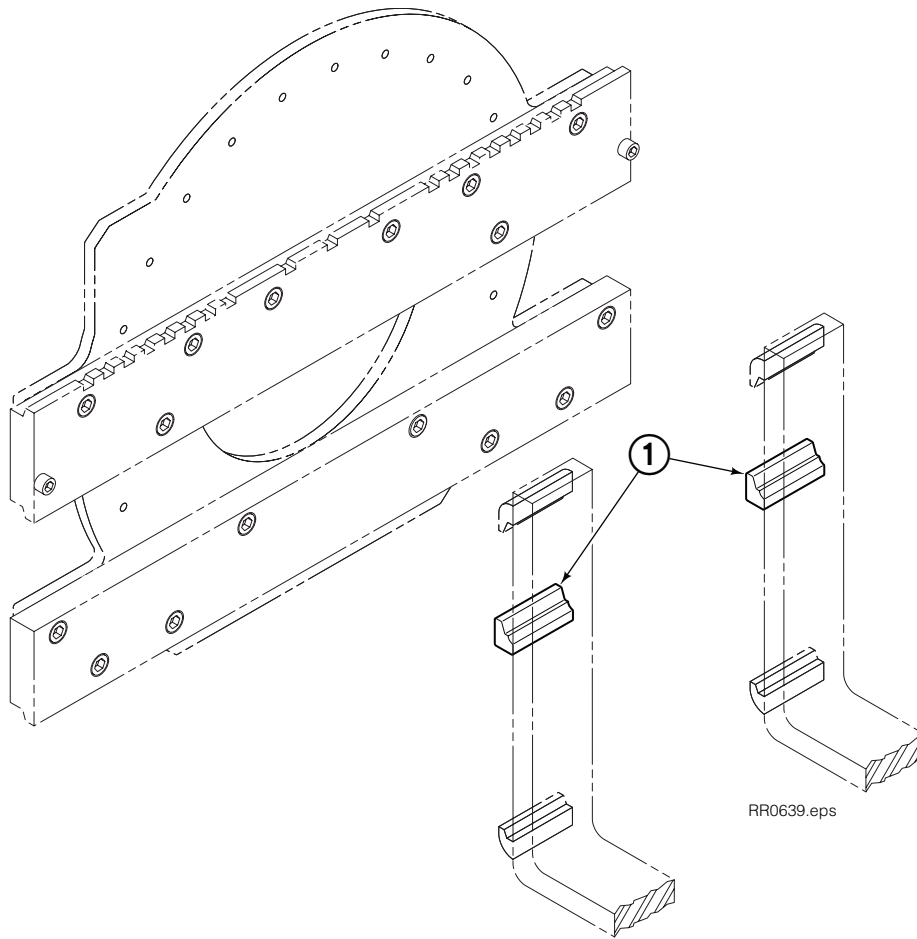
# Fork Bar Group



80G			
REF	QTY	PART NO.	DESCRIPTION
		6066419	Fork Bar Group, 1116 mm (44 in.)
1	1	6066415	Upper Fork Bar
2	1	6066416	Lower Fork Bar
3	16	769581	Capscrew, M20 x 45
4	16	779506	Lockwasher, M20
5	2	775443	Capscrew, M16 x 25

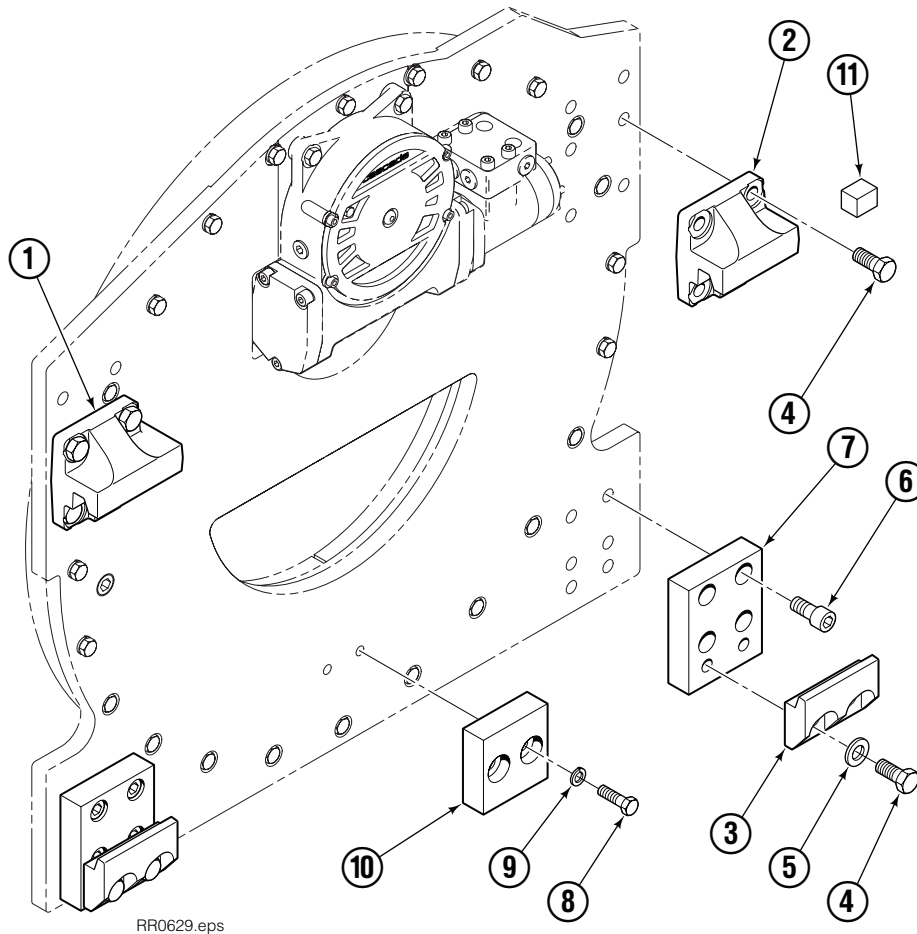


# Middle Hook



REF	QTY	PART NO.	DESCRIPTION
1	2	689281	Middle Hook

# Mounting Group



## Class III, 0°

REF	QTY	PART NO.	DESCRIPTION
		6066617	Mounting Group
1	1	670684	Upper Hook, LH
2	1	670685	Upper Hook, RH
3	2	675969	Lower Hook
4	12	779010	Capscrew, M16 x 35
5	4	211179	Washer, M16
6	8	769574	Capscrew, M16 x 35
7	2	6066814	Adapter Plate
8	2	768555	Capscrew, M12 x 40
9	2	683822	Lockwasher, M12
10	1	670687	Bumper
11	1	670704	Stop Block Kit



**Do you have questions you need answered right now?**

Call your nearest Cascade Parts Department.

Visit us online at [www.cascorp.com](http://www.cascorp.com)

**AMERICAS**

**Cascade Corporation  
Parts Sales**

2501 Sheridan Ave.  
Springfield, OH 45505  
Tel: 888-CASCADE (227-2233)  
Fax: 888-329-0234

**Cascade Canada Inc.**

5570 Timberlea Blvd.  
Mississauga, Ontario  
Canada L4W-4M6  
Tel: 905-629-7777  
Fax: 905-629-7785

**Cascade do Brasil**

Praça Salvador Rosa,  
131/141-Jordanópolis,  
São Bernardo do Campo - SP  
CEP 09891-430  
Tel: 55-13-2105-8800  
Fax: 55-13-2105-8899

**EUROPE-AFRICA**

**Cascade Italia S.R.L.  
European Headquarters**

Via Dell'Artigianato 1  
37030 Vago di Lavagno (VR)  
Italy  
Tel: 39-045-8989111  
Fax: 39-045-8989160

**Cascade (Africa) Pty. Ltd.**

PO Box 625, Isando 1600  
60A Steel Road  
Sparton, Kempton Park  
South Africa  
Tel: 27-11-975-9240  
Fax: 27-11-394-1147

**ASIA-PACIFIC**

**Cascade Japan Ltd.**

2-23, 2-Chome,  
Kukuchi Nishimachi  
Amagasaki, Hyogo  
Japan, 661-0978  
Tel: 81-6-6420-9771  
Fax: 81-6-6420-9777

**Cascade Korea**

121B 9L Namdong Ind.  
Complex, 691-8 Gojan-Dong  
Namdong-Ku  
Inchon, Korea  
Tel: +82-32-821-2051  
Fax: +82-32-821-2055

**Cascade-Xiamen**

No. 668 Yangguang Rd.  
Xinyang Industrial Zone  
Haicang, Xiamen City  
Fujian Province  
P.R. China 361026  
Tel: 86-592-651-2500  
Fax: 86-592-651-2571

**Cascade India Material  
Handling P Ltd**

Sy no 271/8, Ingawale Patil  
Estate,  
Godown No.9,10 & 11, Bhugaon,  
Off Paud Road, Tal Mulshi, Dist  
Pune 411 042

**Cascade Australia Pty. Ltd.**

36 Kiln Street  
Darra QLD 4076  
Australia  
Tel: 1-800-227-223  
Fax: +61 7 3373-7333

**Cascade New Zealand**

15 Ra Ora Drive  
East Tamaki, Auckland  
New Zealand  
Tel: +64-9-273-9136  
Fax: +64-9-273-9137

**Sunstream Industries  
Pte. Ltd.**

18 Tuas South Street 5  
Singapore 637796  
Tel: +65-6795-7555  
Fax: +65-6863-1368

