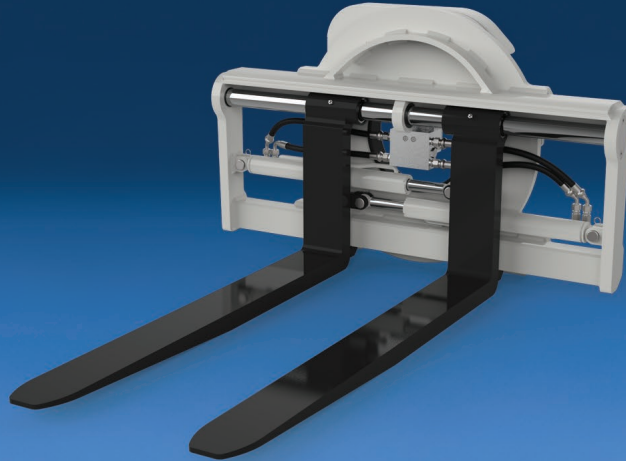


Rotational Strength and Fork Positioning, even in the most demanding conditions.



Enhanced visibility through the attachment



Gear design provides superior durability to quickly invert the load



Added durability with chrome plated cylinder rods and shaft



Scrapers on fork tubes protect bearings from contamination



Sealed bearings lock out contamination and prevent corrosion

APPLICATIONS

The 15G rotating fork positioner combines the best features of a rotator and a side-shifting fork positioner. It gives the driver the ability to position the forks from the driver's seat and also to quickly dump or invert a load easily and accurately. Available corrosion resistant version has a corrosion resistant protective coating and other features, which makes it ideally suited for use in highly corrosive environments such as the seafood industry and tough fishing port work, where salt water and sub-zero temperatures will damage normal handling equipment.

STANDARD VERSION FEATURES

- Enhanced visibility through the attachment.
- Smooth one-piece frame & faceplate.
- Multiple fork lengths are available to suit a wide variety of applications.
- Cascade's rotator gear drive and ring gear design are proven to provide superior durability and allow the driver to quickly invert the load.
- Good torque specifications ensure smooth, positive rotation of the load.
- Suitable for a wide variety of industries and industrial environments.

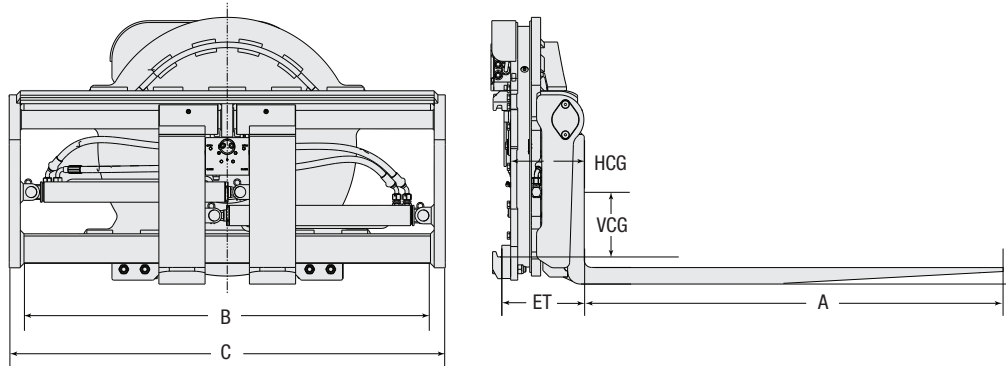
CORROSION RESISTANT VERSION:

All of the features of the Standard Version plus:

- Corrosion resistant coating is ideally suited for the seafood and fish industry and other highly corrosive environments.
- Sealed bearings lock out contamination and prevent corrosion.
- Scrapers on fork tubes protect bearings from contamination.
- Splash guard for added gear drive protection.
- Chromed shaft and chrome plated cylinder rods provide an added level of durability in harsh and corrosive environments.
- All hydraulic and grease fittings are stainless steel.

OPTIONS

- Standard, non-coated version for is available for general industrial use.
- Corrosion resistant version is ideally suited for the seafood industry and other corrosive environments.
- Multiple fork lengths are available to suit a wide variety of applications.



Catalog Order No.	Capacity@ 24" (600 mm) Load Center		Fork Length A	Maximum OTO Fork Spread B	Mtg. Class	Mtg. Angle	Upper Hook Width OTO	Lower Hook Width OTO	Weight		Effective Thickness ET	Horizontal Ctr. of Gravity HCG	Vertical Ctr. of Gravity VCG	Overall Width C
	lbs	kg							lbs	kg				
Standard, Non-Coated														
15G-RFP-2A-1100	3,300	1,500	30"	37.0"	II	0°	21.1"	24.3"	816	371	8.6"	6.0"	8.5"	40.3"
15G-RFP-2A-2100	3,300	1,500	30"	42.0"	II	0°	21.1"	24.3"	841	382	8.6"	6.0"	8.5"	45.3"
15G-RFP-2A-1200	3,300	1,500	36"	37.0"	II	0°	21.1"	24.3"	846	384	8.6"	7.0"	8.1"	40.3"
15G-RFP-2A-2200	3,300	1,500	36"	42.0"	II	0°	21.1"	24.3"	871	395	8.6"	6.9"	8.1"	45.3"
15G-RFP-2A-1300	3,300	1,500	42"	37.0"	II	0°	21.1"	24.3"	875	397	8.6"	8.0"	7.7"	40.3"
15G-RFP-2A-2300	3,300	1,500	42"	42.0"	II	0°	21.1"	24.3"	901	409	8.6"	7.9"	7.8"	45.3"
15G-RFP-2A-1400	3,300	1,500	48"	37.0"	II	0°	21.1"	24.3"	905	411	8.6"	9.2"	7.4"	40.3"
15G-RFP-2A-2400	3,300	1,500	48"	42.0"	II	0°	21.1"	24.3"	930	422	8.6"	9.1"	7.5"	45.3"
Corrosion Resistant														
15G-RFP-2A-1150	3,300	1,500	30"	37.0"	II	0°	21.1"	24.3"	856	388	8.8"	5.9"	8.7"	40.3"
15G-RFP-2A-2150	3,300	1,500	30"	42.0"	II	0°	21.1"	24.3"	881	400	8.8"	5.9"	8.7"	45.3"
15G-RFP-2A-1250	3,300	1,500	36"	37.0"	II	0°	21.1"	24.3"	886	402	8.8"	6.8"	8.3"	40.3"
15G-RFP-2A-2250	3,300	1,500	36"	42.0"	II	0°	21.1"	24.3"	911	413	8.8"	6.8"	8.3"	45.3"
15G-RFP-2A-1350	3,300	1,500	42"	37.0"	II	0°	21.1"	24.3"	915	915	8.8"	7.8"	8.0"	40.3"
15G-RFP-2A-2350	3,300	1,500	42"	42.0"	II	0°	21.1"	24.3"	941	427	8.8"	7.8"	8.0"	45.3"
15G-RFP-2A-1450	3,300	1,500	48"	37.0"	II	0°	21.1"	24.3"	945	429	8.8"	9.0"	7.7"	40.3"
15G-RFP-2A-2450	3,300	1,500	48"	42.0"	II	0°	21.1"	24.3"	970	440	8.8"	9.0"	7.7"	45.3"

► Optional motors providing increased torque are available. Reduced speed will result.