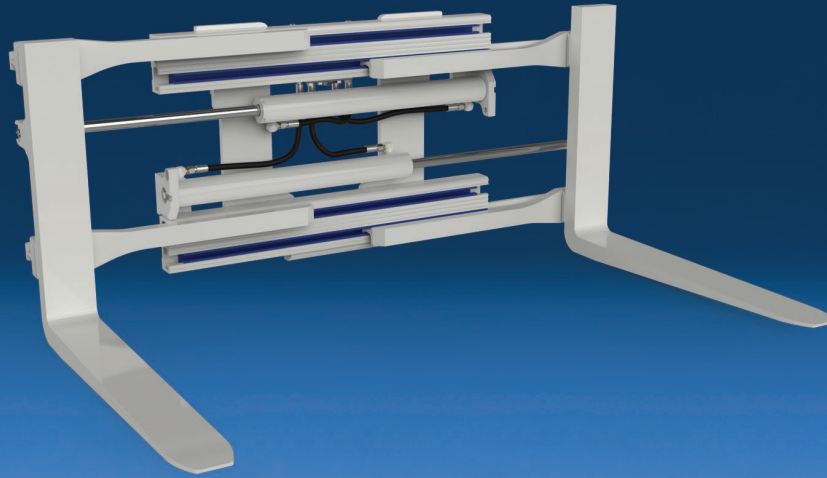
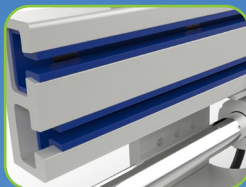


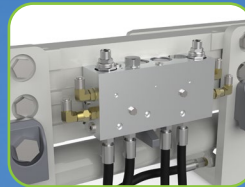
Fork Positioners For Wide Loads and Difficult Material Handling Requirements



Width adjustment to accommodate variable load sizes



No maintenance bearings with 10,000 hour warranty



High efficiency hydraulic system to minimize energy consumption and maximize performance



True centering key for precise and secure mounting



Bolt-on fork arms for ease of installation and removal

APPLICATIONS

The J-Series Fork Positioners are recommended for applications requiring a wide opening range to handle the load. Unlike conventional fork positioners, the J-Series Fork Positioners extend the forks beyond the frame width.

J-SERIES FEATURES

Industry-leading visibility.

Efficient hydraulic system which minimizes energy consumption and maximizes performance.

- Clamp and backhand protection.
- Flow divider for equal arm movement.
- Top-mounted hydraulic cartridges and test port for ease of access and adjustment.
- Sideshift circuit relief optimises sideshift speed and performance.

Rugged design for optimal strength, durability and performance.

- Center mounted hardened replaceable frame wear segment. *(Except for revolving models).*
- High strength steel frame.
- Lubrication-free, full length UHMW bearings.
- Maximum clamp force for secure handling.

Designed for convenience and performance.

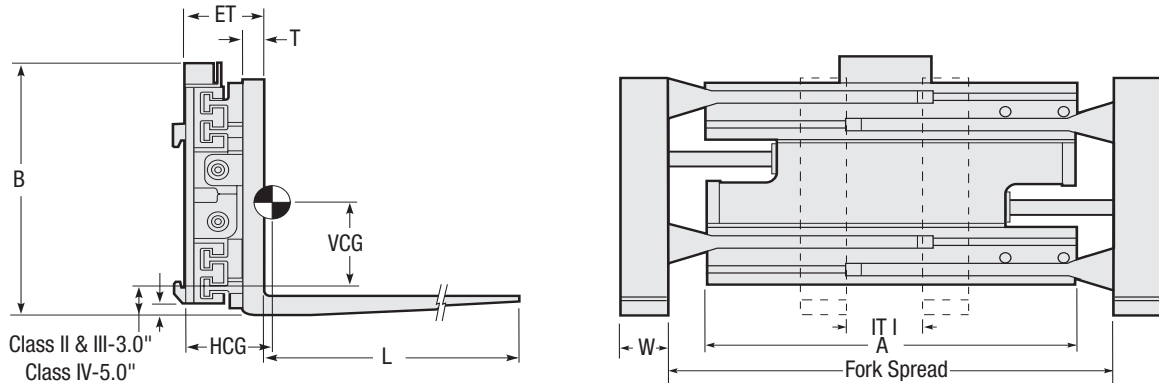
- Integrated true centering key for precise and secure installation
- Available in two pressure offerings to match attachment to truck hydraulic system.

UNIQUE ARM FEATURE

- Bolt-on forks for ease of replacement.

OPTIONS

- Custom Forks available.
- Custom frame widths and opening ranges.
- Independent arm control.
- Regeneration valve (faster opening speed for low flow electric trucks).
- External sideshifting mounting available.
- Valve guard.
- Bumper/Cylinder cover.
- Factory installed load backrest.
- Quick Disconnect Mounting Kit.



Catalog Order No.	Capacity @ 24" (600 mm) Load Center		Fork Size LxWxT	Opening Range ITI	Mtg. Class	Min. Truck Carriage Width	Weight		Effective Thickness ET	Horizontal Ctr. of Gravity HCG	Vertical Ctr. of Gravity VCG	Frame Width A	Overall Height B
	lbs	kg					lbs	kg					
14J-FPB-2A-0220	3,500	1,600	36" x 3.9" x 1.6"	16.9"-61.5"	II	26.4"	601	273	6.9"	5.7"	8.2"	34"	26.1"
14J-FPB-2A-0225	3,500	1,600	42" x 3.9" x 1.6"	16.9"-61.5"	II	26.4"	622	283	6.9"	6.8"	7.9"	34"	26.1"
14J-FPB-2A-0230	3,500	1,600	48" x 3.9" x 1.6"	16.9"-61.5"	II	26.4"	643	292	6.9"	8.0"	7.5"	34"	26.1"
18J-FPB-2A-0220	4,200	1,900	36" x 4.8" x 1.6"	16.0"-65.2"	II	32.4"	721	328	7.2"	6.1"	8.5"	37"	26.8"
18J-FPB-2A-0225	4,200	1,900	42" x 4.8" x 1.6"	16.0"-65.2"	II	32.4"	746	339	7.2"	7.1"	8.1"	37"	26.8"
18J-FPB-2A-0230	4,200	1,900	48" x 4.8" x 1.6"	16.0"-65.2"	II	32.4"	772	351	7.2"	8.3"	7.8"	37"	26.8"
22J-FPB-2A-0220	5,100	2,300	36" x 4.8" x 1.8"	16.4"-65.6"	II	32.4"	775	352	7.6"	6.3"	8.4"	39"	26.8"
22J-FPB-2A-0225	5,100	2,300	42" x 4.8" x 1.8"	16.4"-65.6"	II	32.4"	804	365	7.6"	7.4"	8.0"	39"	26.8"
22J-FPB-2A-0230	5,100	2,300	48" x 4.8" x 1.8"	16.4"-65.6"	II	32.4"	832	378	7.6"	8.7"	7.7"	39"	26.8"
26J-FPB-2A-0220	5,900	2,667	36" x 4.8" x 2.0"	18.1"-71.9"	II	36.4"	1,001	455	8.5"	6.3"	10.2"	41"	30.3"
26J-FPB-2A-0225	5,900	2,667	42" x 4.8" x 2.0"	18.1"-71.9"	II	36.4"	1,033	470	8.5"	7.3"	9.8"	41"	30.3"
26J-FPB-2A-0230	5,900	2,667	48" x 4.8" x 2.0"	18.1"-71.9"	II	36.4"	1,065	484	8.5"	8.4"	9.4"	41"	30.3"

► In order to ensure that the unit best suited for the application is selected, consult Cascade.

► DO NOT USE TO CLAMP LOADS.