

Enhance Your Forklift with Maximum Visibility & Precision.



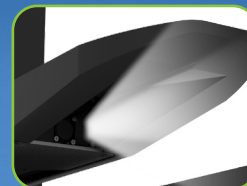
Camera assembly and wiring protected within fork shank for longevity



Flexible operation with adjustable camera field of view



Fully wireless transmission over the mast to 50 feet



Low-light camera assist for versatile handling



Maximized accuracy with distance sensing and vertical object detection (Sensor Fork models only)

APPLICATIONS

With a sensor package and wireless camera embedded, Sensor Forks offer lift truck operators the visibility and precision for maximum efficiency while handling. Sensor Forks help reduce damage to product and pallets by utilizing a camera, distance sensor, and vertical object detection sensor, which allow you to see exactly where your fork meets the load. Improve performance in any situation where fork tip alignment or fork angle are critical to successful operation, including: high stacking, double deep pallet racking, low light environments, bin post alignment, boat handling, label reading, and more.

FEATURES - Camera Forks & Sensor Forks

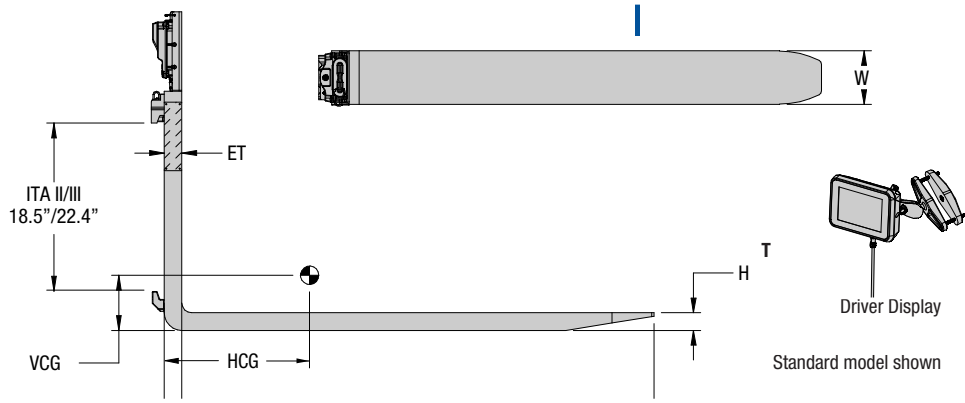
- Low light camera with illumination assist and adjustable field of view embedded in fork tip
- Packaged into single fork
- Wireless communication up to 15 meters (50ft) between fork and display
- Camera with adjustable field of view (Not designed to be a navigational aid)
- Cross talk protection (25+ units at one site under optimal communication conditions)
- 12 hour battery life; no tools required to change battery
- High resolution configurable display (date, time, etc.) with touchscreen technology
- Adjustable horizontal target line and fork tilt angle indicator (+/- 80 degrees)
- Display languages include English, Italian, German, Spanish and Japanese
- External illuminated power switches on battery pack & display for easy on/off

OPTIONS

- Drop Shank Forks
- Custom fork lengths upon request
- Low profile version for reach trucks
- Hard wired version (no wifi - Sensor Forks only)

FEATURES - Sensor Forks

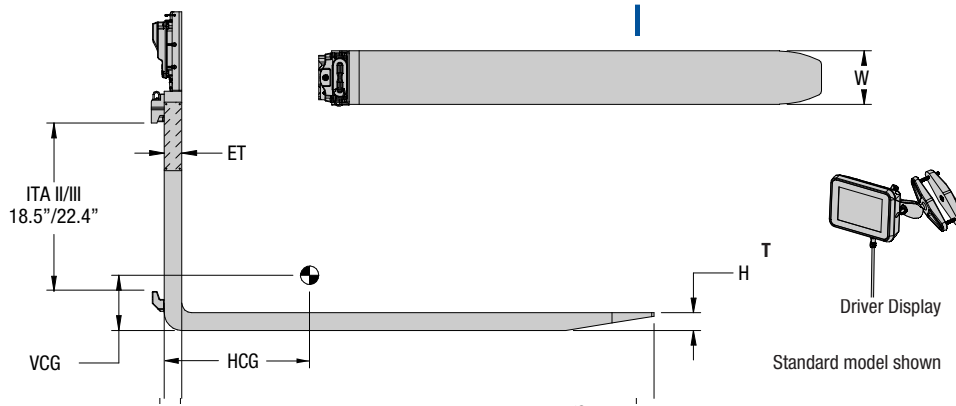
- Distance sensor
- Vertical object detection sensor
- Position overlay and distance indicator on display
- Laser indicator on display



Catalog Order No.	Capacity@ 24" (600 mm) Load Center		Mtg. Class	Fork Thickness	Fork Width	Fork Length	Effective Thickness	Horizontal Ctr. of Gravity	Vertical Ctr. of Gravity	Weight (Per Pair)	
	lbs	kg		T	W	L				ET	HCG

Camera with WiFi												
Standard		Low Profile										
25A-CWF-2A-0416	25A-CWF-2A-00001	5,500	2,500	II	1.6"	4.8"	42.1"	1.6"	13.0"	4.9"	260	118
25A-CWF-2A-0423	25A-CWF-2A-00002	5,500	2,500	II	1.6"	4.8"	48.0"	1.6"	15.5"	4.5"	282	128
25A-CWF-2A-0516	25A-CWF-2A-00003	5,500	2,500	II	1.8"	4.8"	42.1"	1.8"	13.0"	5.0"	289	131
25A-CWF-2A-0523	25A-CWF-2A-00004	5,500	2,500	II	1.8"	4.8"	48.0"	1.8"	15.5"	4.6"	318	144
25A-CWF-2A-0539	25A-CWF-2A-00005	5,500	2,500	II	1.8"	4.8"	60.0"	1.8"	20.9"	4.1"	375	170
45A-CWF-3A-0616	45A-CWF-3A-00007	10,000	4,500	III	2.0"	4.8"	42.1"	2.0"	12.0"	6.5"	344	156
45A-CWF-3A-0623	45A-CWF-3A-00008	10,000	4,500	III	2.0"	4.8"	48.0"	2.0"	14.5"	6.0"	375	170
45A-CWF-3A-0639	45A-CWF-3A-00009	10,000	4,500	III	2.0"	4.8"	60.0"	2.0"	19.7"	5.3"	437	198
45A-CWF-3A-0646	45A-CWF-3A-00011	10,000	4,500	III	2.0"	4.8"	72.0"	2.0"	25.2"	4.7"	500	227
50A-CWF-3A-0716	50A-CWF-3A-00012	11,000	5,000	III	2.0"	5.9"	42.1"	2.0"	12.2"	6.5"	423	192
50A-CWF-3A-0723	50A-CWF-3A-00013	11,000	5,000	III	2.0"	5.9"	48.0"	2.0"	14.6"	6.0"	459	208
50A-CWF-3A-0739	50A-CWF-3A-00014	11,000	5,000	III	2.0"	5.9"	60.0"	2.0"	19.9"	5.3"	538	244
50A-CWF-3A-0746	50A-CWF-3A-00016	11,000	5,000	III	2.0"	5.9"	72.0"	2.0"	25.3"	4.7"	617	280

- ▶ Low profile version available for reach trucks and other situations where there is interference between the load back rest and the fork shank guard on the standard models.
- ▶ Drop shank fork and custom fork length options available.
- ▶ Protected for temporary immersion up to 3 feet (IP67).
- ▶ Use with 9-24 volt truck power supply. Other voltages available on request.
- ▶ Standard version requires a Cascade backrest, otherwise using the Low-Profile version is recommended.



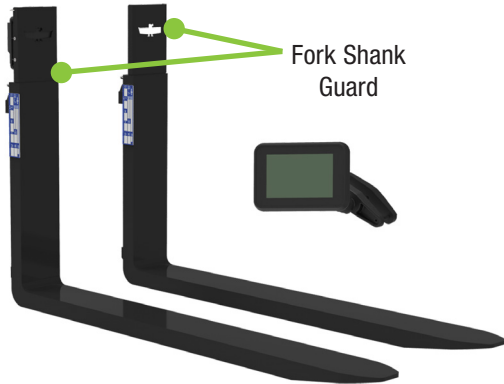
Catalog Order No.	Capacity@ 24" (600 mm) Load Center		Mtg. Class	Fork Thickness T	Fork Width W	Fork Length L	Effective Thickness ET	Horizontal Ctr. of Gravity HCG	Vertical Ctr. of Gravity VCG	Weight (Per Pair)	
	lbs	kg								lbs	kg

Full Sensor with WiFi														
Standard		Low Profile		Capacity@ 24" (600 mm) Load Center		Mtg. Class	Fork Thickness T	Fork Width W	Fork Length L	Effective Thickness ET	Horizontal Ctr. of Gravity HCG	Vertical Ctr. of Gravity VCG	Weight (Per Pair)	
25A-SWF-2A-0416	25A-SWF-2A-00047	5,500	2,500	II	1.6"	4.8"	42.1"	1.6"	13.0"	4.9"	260	118		
25A-SWF-2A-0423	25A-SWF-2A-00048	5,500	2,500	II	1.6"	4.8"	48.0"	1.6"	15.5"	4.5"	282	128		
25A-SWF-2A-0516	25A-SWF-2A-00049	5,500	2,500	II	1.8"	4.8"	42.1"	1.8"	13.0"	5.0"	289	131		
25A-SWF-2A-0523	25A-SWF-2A-00050	5,500	2,500	II	1.8"	4.8"	48.0"	1.8"	15.5"	4.6"	318	144		
25A-SWF-2A-0539	25A-SWF-2A-00051	5,500	2,500	II	1.8"	4.8"	60.0"	1.8"	20.9"	4.1"	375	170		
45A-SWF-3A-0616	45A-SWF-3A-00053	10,000	4,500	III	2.0"	4.8"	42.1"	2.0"	12.0"	6.5"	344	156		
45A-SWF-3A-0623	45A-SWF-3A-00054	10,000	4,500	III	2.0"	4.8"	48.0"	2.0"	14.5"	6.0"	375	170		
45A-SWF-3A-0639	45A-SWF-3A-00055	10,000	4,500	III	2.0"	4.8"	60.0"	2.0"	19.7"	5.3"	437	198		
45A-SWF-3A-0646	45A-SWF-3A-00057	10,000	4,500	III	2.0"	4.8"	72.0"	2.0"	25.2"	4.7"	500	227		
50A-SWF-3A-0716	50A-SWF-3A-00058	11,000	5,000	III	2.0"	5.9"	42.1"	2.0"	12.2"	6.5"	423	192		
50A-SWF-3A-0723	50A-SWF-3A-00059	11,000	5,000	III	2.0"	5.9"	48.0"	2.0"	14.6"	6.0"	459	208		
50A-SWF-3A-0739	50A-SWF-3A-00060	11,000	5,000	III	2.0"	5.9"	60.0"	2.0"	19.9"	5.3"	538	244		
50A-SWF-3A-0746	50A-SWF-3A-00062	11,000	5,000	III	2.0"	5.9"	72.0"	2.0"	25.3"	4.7"	617	280		

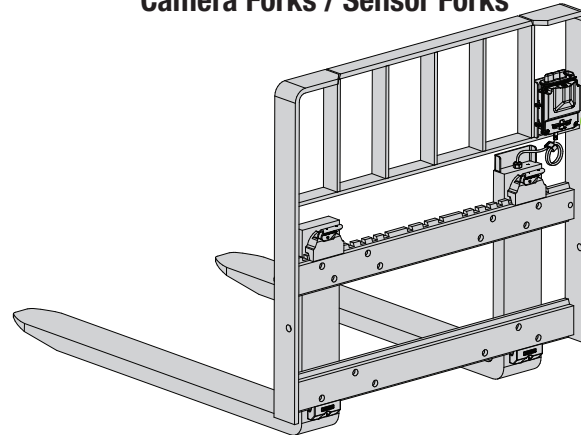
Full Sensor – Hardwired over the Mast												
Low Profile												
Catalog Order No.		Capacity@ 24" (600 mm) Load Center		Mtg. Class	Fork Thickness T	Fork Width W	Fork Length L	Effective Thickness ET	Horizontal Ctr. of Gravity HCG	Vertical Ctr. of Gravity VCG	Weight (Per Pair)	
25A-SHW-2A-0416		5,500	2,500	II	1.6"	4.8"	42.1"	1.6"	13.0"	4.9"	260	118
25A-SHW-2A-0423		5,500	2,500	II	1.6"	4.8"	48.0"	1.6"	15.5"	4.5"	282	128
25A-SHW-2A-0516		5,500	2,500	II	1.8"	4.8"	42.1"	1.8"	13.0"	5.0"	289	131
25A-SHW-2A-0523		5,500	2,500	II	1.8"	4.8"	48.0"	1.8"	15.5"	4.6"	318	144
25A-SHW-2A-0539		5,500	2,500	II	1.8"	4.8"	60.0"	1.8"	20.9"	4.1"	375	170
45A-SHW-3A-0616		10,000	4,500	III	2.0"	4.8"	42.1"	2.0"	12.0"	6.5"	344	156
45A-SHW-3A-0623		10,000	4,500	III	2.0"	4.8"	48.0"	2.0"	14.5"	6.0"	375	170
45A-SHW-3A-0639		10,000	4,500	III	2.0"	4.8"	60.0"	2.0"	19.7"	5.3"	437	198
45A-SHW-3A-0646		10,000	4,500	III	2.0"	4.8"	72.0"	2.0"	25.2"	4.7"	500	227
50A-SHW-3A-0716		11,000	5,000	III	2.0"	5.9"	42.1"	2.0"	12.2"	6.5"	423	192
50A-SHW-3A-0723		11,000	5,000	III	2.0"	5.9"	48.0"	2.0"	14.6"	6.0"	459	208
50A-SHW-3A-0739		11,000	5,000	III	2.0"	5.9"	60.0"	2.0"	19.9"	5.3"	538	244
50A-SHW-3A-0746		11,000	5,000	III	2.0"	5.9"	72.0"	2.0"	25.3"	4.7"	617	280

- ▶ Low profile version available for reach trucks and other situations where there is interference between the load back rest and the fork shank guard on the standard models.
- ▶ Drop shank fork and custom fork length options available.
- ▶ Protected for temporary immersion up to 3 feet (IP67).
- ▶ Use with 9-48 volt truck power supply. Other voltages available on request.
- ▶ Standard version requires a Cascade backrest, otherwise using the Low-Profile version is recommended.
- ▶ Full Sensor version includes Camera and Fork Tilt Indicator.

**Standard Model
Camera Forks / Sensor Forks**



**Low Profile Model
Camera Forks / Sensor Forks**



Options

Catalog Order No.	Description
6907373	Battery
6926904	Voltage Converter Kit (36 - 106 volts)
6928534	Camera Forks Lens Protector Kit
6942372	Sensor Forks Lens Protector Kit
6910903	Battery Charger, Single Bay
6931861	Battery Charger, Dual Bay

TECHNICAL SPECIFICATIONS		
CAMERA SPEC	Pixels	2 MP
	Video Frame Rate	up to 30 fps @ 1080p
	Field of View	36°
DISPLAY UNIT	Screen Size	7", 1280 x 800 resolution
	Display Dimensions	8.6" x 5.9" x 2.4"
	Mounting	VESA Bolt Pattern
	Power Requirement	9-24V 2A (truck power)
BATTERY SPEC	Voltage	15V Li-Ion battery pack
	Capacity	3200 mAh
	Operating Time	~12 hours continuous battery life
	Regulatory	USDOT-E7052, IEC62133:2012 Chapter 8.3.8
	Charge Time	< 3 hours at 77°F and max current
	Li-Po Battery Charger	AC 100-240V 50/60Hz
OUTER SPEC	Minimum Fork Dimensions	4.8" width, 1.6" thickness
INTERFACE	Wi-Fi	2.4 GHz & 5 GHz
ENVIRONMENTAL SPEC	Temperature	Operating: 32°F to 104°F, Storage: -4°F to 140°F
	Waterproof	Fork & Display - IP67
	Shock/Vibration	MIL-STD-810F (40G @ 6ms)
MAIN FUNCTION	Live Camera Display, Distance Sensor, Vertical Object Detection Sensor, Fork Tilt Angle, Position Overlay, Distance Indicator, Fork Alignment Target Line, Battery Life Indicator, Date/Time Display, Brightness / Contrast controls	
SOFTWARE	Updates available via simple Wi-Fi web interface	