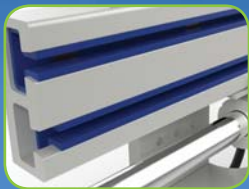
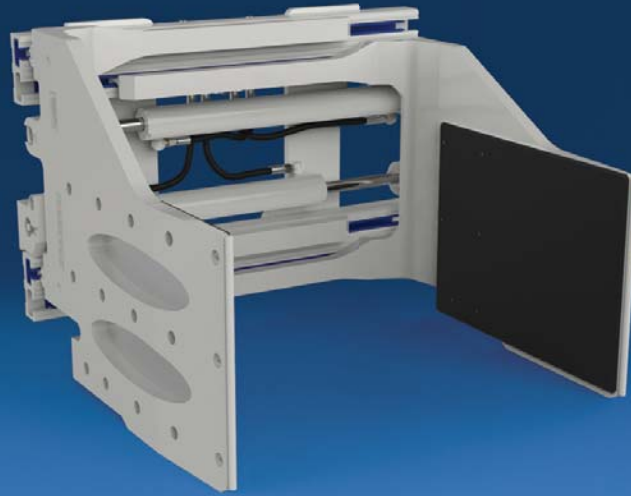


# Rubber Covered Arms Ensure A Secure Grip Without Damage.



No maintenance bearings with 10,000 hour warranty



Rubber faced contact pad ensures a secure grip



True centering key for precise and secure mounting



Standard adjustable pressure relief in clamp and sideshift functions



Industry leading visibility through frame

## APPLICATIONS

Used to handle a wide variety of corrugated, metal and wooden containers as well as baled product. Substantially reduce or completely eliminate the need for pallets and the associated cost of pallet purchase or rental, maintenance, disposal and storage. Thin arm profile plus hydraulic sideshift enables close stacking.

## FEATURES

**Industry-leading visibility.**

**Efficient hydraulic system which minimizes energy consumption and maximizes performance.**

- Clamp and backhand protection.
- Flow divider for equal arm movement.
- Top-mounted hydraulic cartridges and test port for ease of access and adjustment.
- Sideshift circuit relief optimizes sideshift speed and performance.

**Rugged design for optimal strength, durability and performance.**

- Center mounted hardened replaceable frame wear segment.  
*(Except for revolving models).*

- High strength steel frame.
- Lubrication-free, full length UHMW bearings.
- High strength steel castings.
- Maximum clamp force for secure handling.

**Designed for convenience and performance.**

- Integrated true centering key for precise and secure installation.
- Available in two pressure offerings to match attachment to truck hydraulic system.

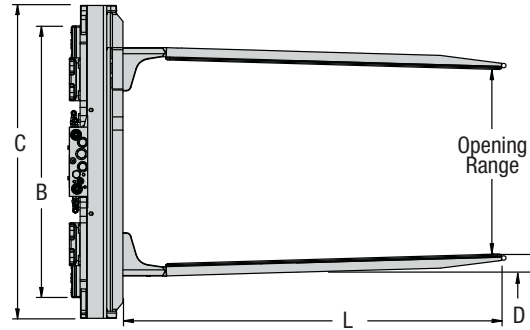
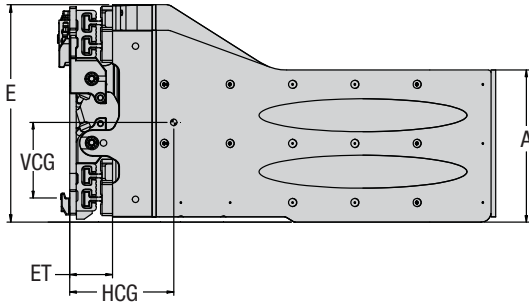
## UNIQUE ARM FEATURES

- **Integral welded arm casting for added strength.**  
**OR**
- **Bolt-on arm offering for added flexibility.**
- **Ribbed rubber faced contact pads for secure load handling.**

## OPTIONS

- Special frame widths and opening ranges.
- High and Low pressure hydraulics systems available.
- Basic, sideshifting and revolving (360°) models.
- Independent arm control.
- Regeneration valve (faster opening speed for low flow electric trucks). For electric trucks or those with low flow hydraulics.
- External sideshifter available.
- Valve guard.
- Factory installed load backrest.
- Bumper/Cylinder cover.
- Quick Disconnect Mounting Kit.

# J-SERIES MULTI-PURPOSE NON-SIDESHIFTING CLAMPS BOLT-ON ARMS

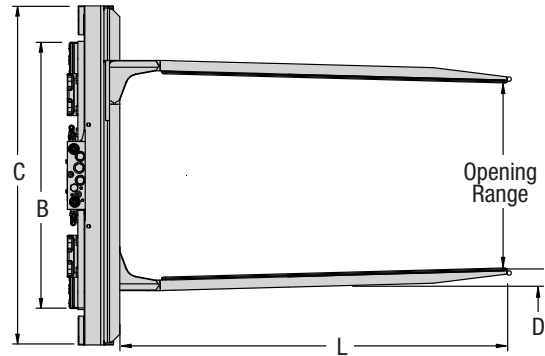
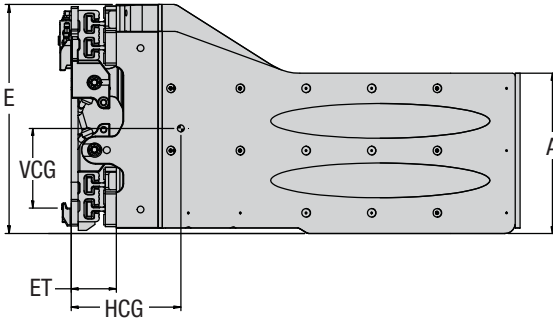


Catalog Order No.	Capacity@ 24" (600 mm) Load Center		Opening Range ①	Mtg. Class	Pad Height	Arm Height	Arm Length	Weight		Hook Spread	Effective Thickness	Horizontal Ctr. of Gravity	Vertical Ctr. of Gravity	Overall Width	Arm Thickness	Overall Height
	lbs	kg						IT1	A							
14J-MCB-2A-0820	2,600	1,200	21.9"-64.8"	II	17.4"	18.2"	30"	804	366	26.4"	4.8"	9.7"	9.1"	34"	1.8"	25.2"
14J-MCB-2A-0825	2,600	1,200	21.5"-64.4"	II	17.4"	18.2"	35"	871	396	26.4"	4.8"	11.7"	8.9"	34"	2.0"	25.2"
14J-MCB-2A-0830	2,600	1,200	21.5"-64.4"	II	23.2"	24.0"	30"	790	359	26.4"	4.8"	9.1"	9.8"	34"	2.0"	25.2"
14J-MCB-2A-0835	2,600	1,200	21.5"-64.4"	II	23.2"	24.0"	35"	871	396	26.4"	4.8"	11.2"	9.8"	34"	2.0"	25.2"
14J-MCB-2A-0840	2,600	1,200	21.5"-64.4"	II	29.1"	29.9"	30"	809	368	26.4"	4.8"	9.4"	10.2"	34"	2.0"	25.2"
14J-MCB-2A-0845	2,600	1,200	21.5"-64.4"	II	29.1"	29.9"	35"	893	406	26.4"	4.8"	11.6"	10.1"	34"	2.0"	25.2"
14J-MCB-2A-0850	2,600	1,200	21.5"-64.4"	II	35.2"	36.0"	30"	828	377	26.4"	4.8"	9.7"	10.6"	34"	2.0"	25.2"
14J-MCB-2A-0855	2,600	1,200	21.5"-64.4"	II	35.2"	36.0"	35"	917	417	26.4"	4.8"	11.9"	10.6"	34"	2.0"	25.2"
18J-MCB-2A-0820	3,500	1,600	24.0"-72.8"	II	17.6"	18.2"	30"	921	419	32.4"	4.8"	8.4"	9.5"	37"	1.6"	26"
18J-MCB-2A-0825	3,500	1,600	23.2"-72.0"	II	17.6"	18.2"	35"	986	448	32.4"	5.1"	10.2"	9.3"	37"	2.0"	26"
18J-MCB-2A-0830	3,500	1,600	22.0"-70.9"	II	17.6"	18.2"	45"	1,100	500	32.4"	5.1"	13.1"	9.0"	37"	2.6"	26"
18J-MCB-2A-0835	3,500	1,600	20.9"-68.5"	II	23.4"	24.0"	30"	877	399	32.4"	5.1"	8.7"	10.1"	37"	2.2"	26"
18J-MCB-2A-0840	3,500	1,600	20.9"-68.5"	II	23.4"	24.0"	35"	960	436	32.4"	5.1"	10.8"	10.0"	37"	2.2"	26"
18J-MCB-2A-0845	3,500	1,600	20.9"-68.5"	II	29.3"	29.9"	30"	897	408	32.4"	3.1"	8.8"	10.4"	37"	2.2"	26"
18J-MCB-2A-0850	3,500	1,600	20.9"-68.5"	II	29.3"	29.9"	35"	987	449	32.4"	3.1"	11.1"	10.3"	37"	2.2"	26"
18J-MCB-2A-0855	3,500	1,600	20.9"-68.5"	II	35.4"	36.0"	30"	917	417	32.4"	3.1"	9.3"	10.8"	37"	2.2"	26"
18J-MCB-2A-0860	3,500	1,600	20.9"-68.5"	II	35.4"	36.0"	35"	1,010	459	32.4"	3.1"	11.2"	10.8"	37"	2.2"	26"
18J-MCB-2A-0865	3,500	1,600	20.9"-68.5"	II	39.5"	40.2"	30"	930	423	32.4"	3.1"	9.4"	11.1"	37"	2.2"	26"
18J-MCB-2A-0870	3,500	1,600	20.9"-68.5"	II	39.5"	40.2"	35"	1,027	467	32.4"	3.1"	11.6"	11.2"	37"	2.2"	26"
18J-MCB-2A-0875	3,500	1,600	20.9"-68.5"	II	39.5"	40.2"	39"	1,096	498	32.4"	3.1"	13.2"	11.2	37"	2.2"	26"
22J-MCB-2A-0820	4,200	1,900	23.5"-75.4"	II	17.6"	18.2"	30"	925	420	32.4"	5.2"	8.7"	9.6"	42"	1.8"	26"
22J-MCB-2A-0825	4,200	1,900	22.7"-74.6"	II	17.6"	18.2"	37"	1,016	462	32.4"	5.2"	11.1"	9.3"	42"	2.2"	26"
22J-MCB-2A-0830	4,200	1,900	21.9"-73.8"	II	17.6"	18.2"	45"	1,101	501	32.4"	5.2"	13.9"	9.1"	42"	2.6"	26"
22J-MCB-3A-0820	4,200	1,900	23.5"-75.4"	III	17.6"	18.2"	30"	992	451	32.4"	6.8"	9.5"	9.8"	42"	1.8"	26"
22J-MCB-3A-0825	4,200	1,900	22.7"-74.6"	III	17.6"	18.2"	37"	1,084	493	32.4"	6.8"	11.9"	9.5"	42"	2.2"	26"
22J-MCB-3A-0830	4,200	1,900	21.9"-73.8"	III	17.6"	18.2"	45"	1,152	524	32.4"	6.8"	14.7"	9.3"	42"	2.6"	26"
26J-MCB-3A-0820	5,100	2,300	24.8"-77.7"	III	17.3"	18.0"	30"	1,222	555	36.4"	6.0"	8.1"	11.2"	41"	2.0"	29.3"
26J-MCB-3A-0825	5,100	2,300	24.4"-77.3"	III	17.3"	18.0"	37"	1,312	596	36.4"	6.0"	9.9"	10.9"	41"	2.2"	29.3"
26J-MCB-3A-0830	5,100	2,300	23.6"-76.5"	III	17.3"	18.0"	45"	1,409	641	36.4"	6.0"	12.2"	10.6"	41"	2.6"	29.3"

① Published opening range limits nominal clamp dimensions only and may not accommodate loads with same or close to same dimension. Consult Cascade for further assistance.

- ▶ Ribbed rubber arm facing is standard.
- ▶ Valve configuration is RH Clamp, LH Sideshift (view from operator). Optional reverse valve configuration available.
- ▶ Quick Disconnect mounting available.

## J-SERIES MULTI-PURPOSE NON-SIDESHIFTING CLAMPS INTEGRAL ARMS

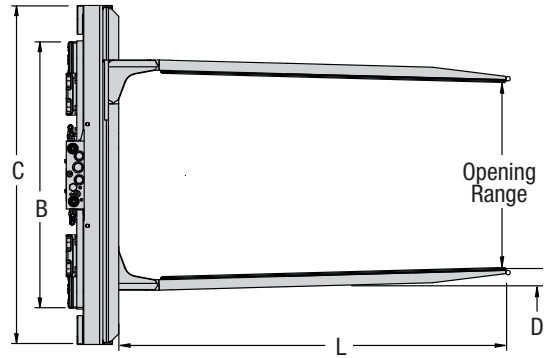
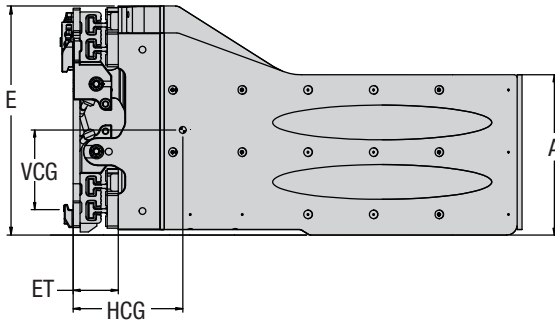


Catalog Order No.	Capacity@ 24" (600 mm) Load Center		Opening Range ①	Mtg. Class	Pad Height	Arm Height	Arm Length	Weight		Hook Spread	Effective Thickness	Horizontal Ctr. of Gravity	Vertical Ctr. of Gravity	Overall Width	Arm Thickness	Overall Height
	lbs	kg						ITL	A							
14J-MCB-2A-0220	2,600	1,200	21.9"-64.8"	II	17.4"	18.2"	30"	782	355	26.4"	4.5"	9.7"	9.1"	34"	1.8"	25.2"
14J-MCB-2A-0225	2,600	1,200	21.5"-64.4"	II	17.4"	18.2"	35"	848	386	26.4"	4.5"	11.7"	8.8"	34"	2.0"	25.2"
14J-MCB-2A-0230	2,600	1,200	21.5"-64.4"	II	23.2"	24.0"	30"	768	349	26.4"	4.5"	9.1"	9.8"	34"	2.0"	25.2"
14J-MCB-2A-0235	2,600	1,200	21.5"-64.4"	II	23.2"	24.0"	35"	849	386	26.4"	4.5"	11.2"	9.7"	34"	2.0"	25.2"
14J-MCB-2A-0240	2,600	1,200	21.5"-64.4"	II	29.1"	29.9"	30"	787	358	26.4"	4.5"	9.4"	10.1"	34"	2.0"	25.2"
14J-MCB-2A-0245	2,600	1,200	21.5"-64.4"	II	29.1"	29.9"	35"	871	396	26.4"	4.5"	11.6"	9.7"	34"	2.0"	25.2"
14J-MCB-2A-0250	2,600	1,200	21.5"-64.4"	II	35.2"	36.0"	30"	805	366	26.4"	4.5"	9.7"	10.6"	34"	2.0"	25.2"
14J-MCB-2A-0255	2,600	1,200	21.5"-64.4"	II	35.2"	36.0"	35"	895	407	26.4"	4.5"	11.9"	10.2"	34"	2.0"	25.2"
18J-MCB-2A-0220	3,500	1,600	24.0"-72.8"	II	17.6"	18.2"	30"	829	377	32.4"	4.8"	8.7"	9.6"	37"	1.6"	26"
18J-MCB-2A-0225	3,500	1,600	23.2"-72.0"	II	17.6"	18.2"	35"	894	406	32.4"	4.8"	10.4"	9.3"	37"	2.0"	26"
18J-MCB-2A-0230	3,500	1,600	22.0"-70.9"	II	17.6"	18.2"	45"	1,003	456	32.4"	4.8"	13.5"	9.0"	37"	2.6"	26"
18J-MCB-2A-0235	3,500	1,600	20.9"-68.5"	II	23.4"	24.0"	30"	848	385	32.4"	4.8"	8.7"	10.1"	37"	2.2"	26"
18J-MCB-2A-0240	3,500	1,600	20.9"-68.5"	II	23.4"	24.0"	35"	933	424	32.4"	4.8"	10.8"	10.0"	37"	2.2"	26"
18J-MCB-2A-0245	3,500	1,600	20.9"-68.5"	II	29.3"	29.9"	30"	869	395	32.4"	4.8"	9.0"	10.4"	37"	2.2"	26"
18J-MCB-2A-0250	3,500	1,600	20.9"-68.5"	II	29.3"	29.9"	35"	958	436	32.4"	4.8"	11.1"	10.3"	37"	2.2"	26"
18J-MCB-2A-0255	3,500	1,600	20.9"-68.5"	II	35.4"	36.0"	30"	888	404	32.4"	4.8"	9.3"	10.8"	37"	2.2"	26"
18J-MCB-2A-0260	3,500	1,600	20.9"-68.5"	II	35.4"	36.0"	35"	982	446	32.4"	4.8"	11.4"	10.8"	37"	2.2"	26"
18J-MCB-2A-0265	3,500	1,600	20.9"-68.5"	II	39.5"	40.2"	30"	902	410	32.4"	4.8"	9.4"	11.1"	37"	2.2"	26"
18J-MCB-2A-0270	3,500	1,600	20.9"-68.5"	II	39.5"	40.2"	35"	998	454	32.4"	4.8"	11.7"	11.2"	37"	2.2"	26"
18J-MCB-2A-0275	3,500	1,600	20.9"-68.5"	II	39.5"	40.2"	39"	1,067	485	32.4"	4.8"	13.3"	11.2"	37"	2.2"	26"
22J-MCB-2A-0220	4,200	1,900	23.5"-75.4"	II	17.6"	18.2"	30"	916	416	32.4"	5.1"	8.7"	9.6"	42"	1.8"	26"
22J-MCB-2A-0225	4,200	1,900	22.7"-74.6"	II	17.6"	18.2"	37"	1,016	462	32.4"	5.1"	11.0"	9.3"	42"	2.2"	26"
22J-MCB-2A-0230	4,200	1,900	21.9"-73.8"	II	17.6"	18.2"	45"	1,112	506	32.4"	5.1"	13.7"	9.0"	42"	2.6"	26"
22J-MCB-3A-0220	4,200	1,900	23.5"-75.4"	III	17.6"	18.2"	30"	985	448	32.4"	6.7"	9.6"	9.8"	42"	1.8"	26"
22J-MCB-3A-0225	4,200	1,900	22.7"-74.6"	III	17.6"	18.2"	37"	1,077	489	32.4"	6.7"	11.9"	9.5"	42"	2.2"	26"
22J-MCB-3A-0230	4,200	1,900	21.9"-73.8"	III	17.6"	18.2"	45"	1,173	533	32.4"	6.7"	14.6"	9.3"	42"	2.6"	26"
26J-MCB-3A-0220	5,100	2,300	24.8"-77.7"	III	17.3"	18.0"	30"	1,117	508	36.4"	5.8"	8.0"	11.3"	41"	2.0"	29.3"
26J-MCB-3A-0225	5,100	2,300	24.4"-77.3"	III	17.3"	18.0"	37"	1,207	549	36.4"	5.8"	10.0"	10.9"	41"	2.2"	29.3"
26J-MCB-3A-0230	5,100	2,300	23.6"-76.5"	III	17.3"	18.0"	45"	1,335	607	36.4"	5.8"	12.9"	10.4"	41"	2.6"	29.3"

① Published opening range limits nominal clamp dimensions only and may not accommodate loads with same or close to same dimension. Consult Cascade for further assistance.

- ▶ Ribbed rubber arm facing is standard.
- ▶ Valve configuration is RH Clamp, LH Sideshift (view from operator). Optional reverse valve configuration available.
- ▶ Quick Disconnect mounting available.

# J-SERIES MULTI-PURPOSE SIDESHIFTING CLAMPS BOLT-ON ARMS

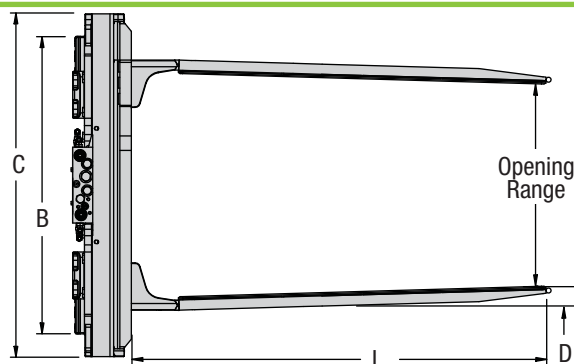
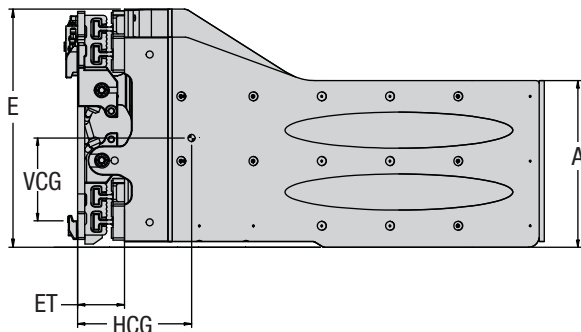


Catalog Order No.	Capacity@ 24" (600 mm) Load Center		Opening Range ②	Mtg. Class	Pad Height	Arm Height	Arm Length	Weight	Hook Spread	Effective Thickness	Horizontal Ctr. of Gravity	Vertical Ctr. of Gravity	Overall Width	Arm Thickness	Overall Height	
	lbs	kg														IT1
14J-MCS-2A-0820	2,600	1,200	21.9"-64.8"	II	17.4"	18.2"	30"	804	366	26.4"	4.8"	9.7"	9.1"	34"	1.8"	25.2"
14J-MCS-2A-0825	2,600	1,200	21.5"-64.4"	II	17.4"	18.2"	35"	871	396	26.4"	4.8"	11.7"	8.9"	34"	2.0"	25.2"
14J-MCS-2A-0830	2,600	1,200	21.5"-64.4"	II	23.2"	24.0"	30"	790	359	26.4"	4.8"	9.1"	9.8"	34"	2.0"	25.2"
14J-MCS-2A-0835	2,600	1,200	21.5"-64.4"	II	23.2"	24.0"	35"	871	396	26.4"	4.8"	11.2"	9.8"	34"	2.0"	25.2"
14J-MCS-2A-0840	2,600	1,200	21.5"-64.4"	II	29.1"	29.9"	30"	809	368	26.4"	4.8"	9.4"	10.2"	34"	2.0"	25.2"
14J-MCS-2A-0845	2,600	1,200	21.5"-64.4"	II	29.1"	29.9"	35"	893	406	26.4"	4.8"	11.6"	10.1"	34"	2.0"	25.2"
14J-MCS-2A-0850	2,600	1,200	21.5"-64.4"	II	35.2"	36.0"	30"	828	377	26.4"	4.8"	9.7"	10.6"	34"	2.0"	25.2"
14J-MCS-2A-0855	2,600	1,200	21.5"-64.4"	II	35.2"	36.0"	35"	917	417	26.4"	4.8"	11.9"	10.6"	34"	2.0"	25.2"
18J-MCS-2A-0820	3,500	1,600	24.0"-72.8"	II	17.6"	18.2"	30"	921	419	32.4"	4.8"	8.4"	9.5"	37"	1.6"	26"
18J-MCS-2A-0825	3,500	1,600	23.2"-72.0"	II	17.6"	18.2"	35"	986	448	32.4"	5.1"	10.2"	9.3"	37"	2.0"	26"
18J-MCS-2A-0830	3,500	1,600	22.0"-70.9"	II	17.6"	18.2"	45"	1,100	500	32.4"	5.1"	13.1"	9.0"	37"	2.6"	26"
18J-MCS-2A-0835	3,500	1,600	20.9"-68.5"	II	23.4"	24.0"	30"	877	399	32.4"	5.1"	8.7"	10.1"	37"	2.2"	26"
18J-MCS-2A-0840	3,500	1,600	20.9"-68.5"	II	23.4"	24.0"	35"	960	436	32.4"	5.1"	10.8"	10.0"	37"	2.2"	26"
18J-MCS-2A-0845	3,500	1,600	20.9"-68.5"	II	29.3"	29.9"	30"	897	408	32.4"	3.1"	8.8"	10.4"	37"	2.2"	26"
18J-MCS-2A-0850	3,500	1,600	20.9"-68.5"	II	29.3"	29.9"	35"	987	449	32.4"	3.1"	11.1"	10.3"	37"	2.2"	26"
18J-MCS-2A-0855	3,500	1,600	20.9"-68.5"	II	35.4"	36.0"	30"	917	417	32.4"	3.1"	9.3"	10.8"	37"	2.2"	26"
18J-MCS-2A-0860	3,500	1,600	20.9"-68.5"	II	35.4"	36.0"	35"	1,010	459	32.4"	3.1"	11.2"	10.8"	37"	2.2"	26"
18J-MCS-2A-0865	3,500	1,600	20.9"-68.5"	II	39.5"	40.2"	30"	930	423	32.4"	3.1"	9.4"	11.1"	37"	2.2"	26"
18J-MCS-2A-0870	3,500	1,600	20.9"-68.5"	II	39.5"	40.2"	35"	1,027	467	32.4"	3.1"	11.6"	11.2"	37"	2.2"	26"
18J-MCS-2A-0875	3,500	1,600	20.9"-68.5"	II	39.5"	40.2"	39"	1,096	498	32.4"	3.1"	13.2"	11.2"	37"	2.2"	26"
22J-MCS-2A-0820	4,200	1,900	23.5"-75.4"	II	17.6"	18.2"	30"	925	420	32.4"	5.2"	8.7"	9.6"	42"	1.8"	26"
22J-MCS-2A-0825	4,200	1,900	22.7"-74.6"	II	17.6"	18.2"	37"	1,016	462	32.4"	5.2"	11.1"	9.3"	42"	2.2"	26"
22J-MCS-2A-0830	4,200	1,900	21.9"-73.8"	II	17.6"	18.2"	45"	1,101	501	32.4"	5.2"	13.9"	9.1"	42"	2.6"	26"
22J-MCS-3A-0820	4,200	1,900	23.5"-75.4"	III	17.6"	18.2"	30"	992	451	32.4"	6.8"	9.5"	9.8"	42"	1.8"	26"
22J-MCS-3A-0825	4,200	1,900	22.7"-74.6"	III	17.6"	18.2"	37"	1,084	493	32.4"	6.8"	11.9"	9.5"	42"	2.2"	26"
22J-MCS-3A-0830	4,200	1,900	21.9"-73.8"	III	17.6"	18.2"	45"	1,152	524	32.4"	6.8"	14.7"	9.3"	42"	2.6"	26"
26J-MCS-3A-0820	5,100	2,300	24.8"-77.7"	III	17.3"	18.0"	30"	1,222	555	36.4"	6.0"	8.1"	11.2"	41"	2.0"	29.3"
26J-MCS-3A-0825	5,100	2,300	24.4"-77.3"	III	17.3"	18.0"	37"	1,312	596	36.4"	6.0"	9.9"	10.9"	41"	2.2"	29.3"
26J-MCS-3A-0830	5,100	2,300	23.6"-76.5"	III	17.3"	18.0"	45"	1,409	641	36.4"	6.0"	12.2"	10.6"	41"	2.6"	29.3"

② Published opening range limits nominal clamp dimensions only and may not accommodate loads with same or close to same dimension. Consult Cascade for further assistance.

- ▶ Ribbed rubber arm facing is standard.
- ▶ Valve configuration is RH Clamp, LH Sideshift (view from operator). Optional reverse valve configuration available.
- ▶ Quick Disconnect mounting available.

## J-SERIES MULTI-PURPOSE SIDESHIFTING CLAMPS INTEGRAL ARMS

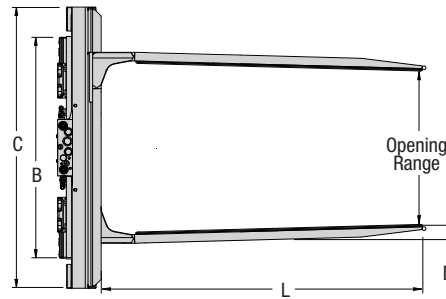
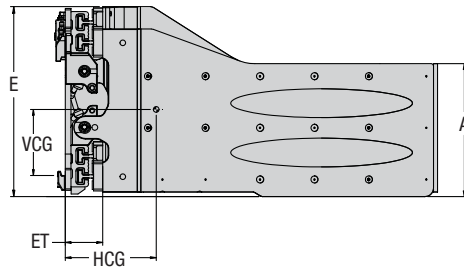


Catalog Order No.	Capacity@ 24" (600 mm) Load Center		Opening Range ②	Mtg. Class	Pad Height	Arm Height	Arm Length	Weight		Hook Spread	Effective Thickness	Horizontal Ctr. of Gravity	Vertical Ctr. of Gravity	Overall Width	Arm Thickness	Overall Height
	lbs	kg						lbs	kg							
			ITI			A	L			B	ET	HCG	VCG	C	D	E
14J-MCS-2A-0220	2,600	1,200	21.9"-64.8"	II	17.4"	18.2"	30"	804	366	26.4"	4.8"	9.7"	9.1"	34"	1.8"	25.2"
14J-MCS-2A-0225	2,600	1,200	21.5"-64.4"	II	17.4"	18.2"	35"	871	396	26.4"	4.8"	11.7"	8.9"	34"	2.0"	25.2"
14J-MCS-2A-0230	2,600	1,200	21.5"-64.4"	II	23.2"	24.0"	30"	790	359	26.4"	4.8"	9.1"	9.8"	34"	2.0"	25.2"
14J-MCS-2A-0235	2,600	1,200	21.5"-64.4"	II	23.2"	24.0"	35"	871	396	26.4"	4.8"	11.2"	9.8"	34"	2.0"	25.2"
14J-MCS-2A-0240	2,600	1,200	21.5"-64.4"	II	29.1"	29.9"	30"	809	368	26.4"	4.8"	9.4"	10.2"	34"	2.0"	25.2"
14J-MCS-2A-0245	2,600	1,200	21.5"-64.4"	II	29.1"	29.9"	35"	893	406	26.4"	4.8"	11.6"	10.1"	34"	2.0"	25.2"
14J-MCS-2A-0250	2,600	1,200	21.5"-64.4"	II	35.2"	36.0"	30"	828	377	26.4"	4.8"	9.7"	10.6"	34"	2.0"	25.2"
14J-MCS-2A-0255	2,600	1,200	21.5"-64.4"	II	35.2"	36.0"	35"	917	417	26.4"	4.8"	11.9"	10.6"	34"	2.0"	25.2"
18J-MCS-2A-0220	3,500	1,600	2.0"-72.8"	II	17.6"	18.2"	30"	921	419	32.4"	4.8"	8.4"	9.5"	37"	1.6"	26"
18J-MCS-2A-0225	3,500	1,600	23.2"-72.0"	II	17.6"	18.2"	35"	986	448	32.4"	5.1"	10.2"	9.3"	37"	2.0"	26"
18J-MCS-2A-0230	3,500	1,600	22.0"-70.9"	II	17.6"	18.2"	45"	1,100	500	32.4"	5.1"	13.1"	9.0"	37"	2.6"	26"
18J-MCS-2A-0235	3,500	1,600	20.9"-68.5"	II	23.4"	24.0"	30"	877	399	32.4"	5.1"	8.7"	10.1"	37"	2.2"	26"
18J-MCS-2A-0240	3,500	1,600	20.9"-68.5"	II	23.4"	24.0"	35"	960	436	32.4"	5.1"	10.8"	10.0"	37"	2.2"	26"
18J-MCS-2A-0245	3,500	1,600	20.9"-68.5"	II	29.3"	29.9"	30"	897	408	32.4"	3.1"	8.8"	10.4"	37"	2.2"	26"
18J-MCS-2A-0250	3,500	1,600	20.9"-68.5"	II	29.3"	29.9"	35"	987	449	32.4"	3.1"	11.1"	10.3"	37"	2.2"	26"
18J-MCS-2A-0255	3,500	1,600	20.9"-68.5"	II	35.4"	36.0"	30"	917	417	32.4"	3.1"	9.3"	10.8"	37"	2.2"	26"
18J-MCS-2A-0260	3,500	1,600	20.9"-68.5"	II	35.4"	36.0"	35"	1,010	459	32.4"	3.1"	11.2"	10.8"	37"	2.2"	26"
18J-MCS-2A-0265	3,500	1,600	20.9"-68.5"	II	39.5"	40.2"	30"	930	423	32.4"	3.1"	9.4"	11.1"	37"	2.2"	26"
18J-MCS-2A-0270	3,500	1,600	20.9"-68.5"	II	39.5"	40.2"	35"	1,027	467	32.4"	3.1"	11.6"	11.2"	37"	2.2"	26"
18J-MCS-2A-0275	3,500	1,600	20.9"-68.5"	II	39.5"	40.2"	39"	1,096	498	32.4"	3.1"	13.2"	11.2	37"	2.2"	26"
22J-MCS-2A-0220	4,200	1,900	23.5"-75.4"	II	17.6"	18.2"	30"	925	420	32.4"	5.2"	8.7"	9.6"	42"	1.8"	26"
22J-MCS-2A-0225	4,200	1,900	22.7"-74.6"	II	17.6"	18.2"	37"	1,016	462	32.4"	5.2"	11.1"	9.3"	42"	2.2"	26"
22J-MCS-2A-0230	4,200	1,900	21.9"-73.8"	II	17.6"	18.2"	45"	1,101	501	32.4"	5.2"	13.9"	9.1"	42"	2.6"	26"
22J-MCS-3A-0220	4,200	1,900	23.5"-75.4"	III	17.6"	18.2"	30"	992	451	32.4"	6.8"	9.5"	9.8"	42"	1.8"	26"
22J-MCS-3A-0225	4,200	1,900	22.7"-74.6"	III	17.6"	18.2"	37"	1,084	493	32.4"	6.8"	11.9"	9.5"	42"	2.2"	26"
22J-MCS-3A-0230	4,200	1,900	21.9"-73.8"	III	17.6"	18.2"	45"	1,152	524	32.4"	6.8"	14.7"	9.3"	42"	2.6"	26"
26J-MCS-3A-0220	5,100	2,300	24.8"-77.7"	III	17.3"	18.0"	30"	1,222	555	36.4"	6.0"	8.1"	11.2"	41"	2.0"	29.3"
26J-MCS-3A-0225	5,100	2,300	24.4"-77.3"	III	17.3"	18.0"	37"	1,312	596	36.4"	6.0"	9.9"	10.9"	41"	2.2"	29.3"
26J-MCS-3A-0230	5,100	2,300	23.6"-76.5"	III	17.3"	18.0"	45"	1,409	641	36.4"	6.0"	12.2"	10.6"	41"	2.6"	29.3"

② Published opening range limits nominal clamp dimensions only and may not accommodate loads with same or close to same dimension. Consult Cascade for further assistance.

- ▶ Ribbed rubber arm facing is standard.
- ▶ Valve configuration is RH Clamp, LH Sideshift (view from operator). Optional reverse valve configuration available.
- ▶ Quick Disconnect mounting available.





**360° ROTATION BOLT-ON ARMS**

Catalog Order No.	Capacity@ 24" (600 mm) Load Center		Opening Range ②	Mtg. Class	Mtg. Angle ①	Arm Height A	Arm Length L	Weight		Hook Spread B	Effective Thickness ET	Horizontal Ctr. of Gravity HCG	Vertical Ctr. of Gravity VCG	Overall Width C	Arm Thickness D
	lbs	kg						lbs	kg						
18J-MCR-2A-0820	3,500	1,600	24"-72.8"	II	0°	18.2"	30"	1,396	635	32"	9.4"	9.5"	11.8"	37"	1.6"
18J-MCR-2A-0825	3,500	1,600	23.2"-72.0"	II	0°	18.2"	35"	1,457	662	32"	9.4"	10.8"	11.6"	37"	2.0"
18J-MCR-2A-0830	3,500	1,600	22"-70.9"	II	0°	18.2"	45"	1,536	698	32"	9.4"	12.6"	11.3"	37"	2.6"
22J-MCR-2A-0820	4,200	1,900	23.5"-75.4"	II	0°	18.2"	30"	1,399	636	32"	9.5"	9.7"	11.9"	42"	1.8"
22J-MCR-2A-0825	4,200	1,900	22.7"-74.6"	II	0°	18.2"	37"	1,484	675	32"	9.5"	11.5"	11.5"	42"	2.2"
22J-MCR-2A-0830	4,200	1,900	21.9"-73.8"	II	0°	18.2"	45"	1,563	710	32"	9.4"	13.1"	11.3"	42"	2.6"
22J-MCR-3A-0820	4,200	1,900	23.5"-75.4"	III	0°	18.2"	30"	1,411	641	32"	10.7"	9.2"	11.9"	42"	1.8"
22J-MCR-3A-0825	4,200	1,900	22.7"-74.6"	III	0°	18.2"	37"	1,523	692	32"	10.7"	11.2"	11.5"	42"	2.2"
22J-MCR-3A-0830	4,200	1,900	21.9"-73.8"	III	0°	18.2"	45"	1,610	732	32"	10.7"	13.4"	11.2"	42"	2.6"
26J-MCR-3A-0820	5,100	2,300	24.8"-77.7"	III	0°	18.2"	30"	1,713	779	32"	11.2"	10.9"	11.7"	41"	2.0"
26J-MCR-3A-0825	5,100	2,300	24.4"-77.3"	III	0°	18.2"	37"	1,860	846	32"	11.2"	13.1"	11.3"	41"	2.2"
26J-MCR-3A-0830	5,100	2,300	23.6"-76.5"	III	0°	18.2"	45"	1,976	898	32"	11.2"	15.2"	11.0"	41"	2.6"

**360° ROTATION INTEGRAL ARMS**

18J-MCR-2A-0220	3,500	1,600	24"-72.8"	II	0°	18.2"	30"	1,304	593	32"	9.1"	9.4"	11.9"	37"	1.6"
18J-MCR-2A-0225	3,500	1,600	23.2"-72.0"	II	0°	18.2"	35"	1,334	607	32"	9.1"	10.3"	11.7"	37"	2.0"
18J-MCR-2A-0230	3,500	1,600	22"-70.9"	II	0°	18.2"	45"	1,480	673	32"	9.1"	13.0"	11.2"	37"	2.6"
22J-MCR-2A-0220	4,200	1,900	23.5"-75.4"	II	0°	18.2"	30"	1,370	623	32"	9.4"	9.3"	11.9"	42"	1.8"
22J-MCR-2A-0225	4,200	1,900	22.7"-74.6"	II	0°	18.2"	37"	1,454	661	32"	9.4"	11.1"	11.6"	42"	2.2"
22J-MCR-2A-0230	4,200	1,900	21.9"-73.8"	II	0°	18.2"	45"	1,591	723	32"	9.4"	13.5"	11.2"	42"	2.6"
22J-MCR-3A-0220	4,200	1,900	23.5"-75.4"	III	0°	18.2"	30"	1,426	648	32"	10.6"	9.4"	11.9"	42"	1.8"
22J-MCR-3A-0225	4,200	1,900	22.7"-74.6"	III	0°	18.2"	37"	1,517	690	32"	10.6"	11.2"	11.5"	42"	2.2"
22J-MCR-3A-0230	4,200	1,900	21.9"-73.8"	III	0°	18.2"	45"	1,613	733	32"	10.6"	13.3"	11.2"	42"	2.6"
26J-MCR-3A-0220	5,100	2,300	24.8"-77.7"	III	0°	18.2"	30"	1,645	748	32"	11.0"	11.1"	11.7"	41"	2.0"
26J-MCR-3A-0225	5,100	2,300	24.4"-77.3"	III	0°	18.2"	37"	1,755	798	32"	11.0"	13.0"	11.3"	41"	2.2"
26J-MCR-3A-0230	5,100	2,300	23.6"-76.5"	III	0°	18.2"	45"	1,870	850	32"	11.0"	15.2"	11.0"	41"	2.6"

- ① Vertical mount (0° mounting angle) is recommended for lift heights exceeding 180°.
- ② Published opening range limits nominal clamp dimensions only and may not accommodate loads with same or close to same dimension. Consult Cascade for further assistance.
- ▶ Ribbed rubber arm facing is standard.
- ▶ Valve configuration is RH Clamp, LH Sideshift (view from operator). Optional reverse valve configuration available.
- ▶ Quick Disconnect mounting available.