

The High-Center Visibility You Have Been Looking For



Hydraulic linked cylinder ensures synchronization.



Long lasting upper bearings encapsulated to protect from dirt. Grease fitting access in upper hook for easy lubrication.



Spread cylinder design maximising centre view window.



Hook-on or Bolt-on type forks available.



Optional robust backrest anchors for greater support.

APPLICATIONS

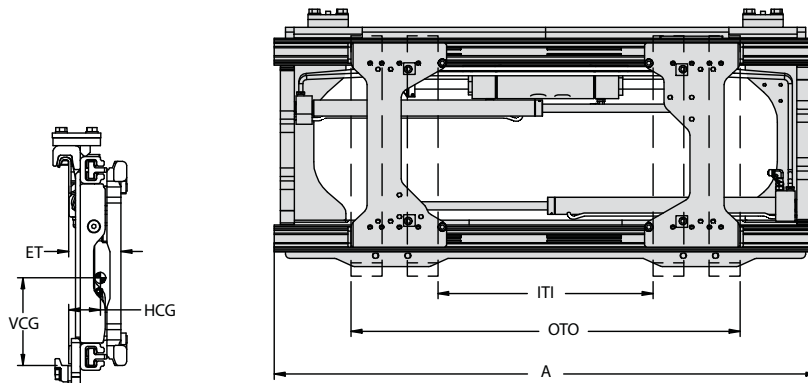
Cascade's new N-Series Fork Positioners offer the high-centre visibility you have been looking for. Our rugged T-Bar design supported by long lasting, low friction nylon bearings provide precise handling of your loads. Your choices of standard ISO style or Bolt-on Forks, backrest heights and frame widths allows Cascade's N-Series to be tailored to your needs.

FEATURES

- Spread cylinder design maximises centre visibility window.
- Centre mount sideshift cylinder provides smooth sideshift function.
- Accepts fork lengths up to 2400mm.
- Fork carriers extend past frame for maximum out-to-out fork position.
- Linked cylinders provide perfect synchronization.
- Bolt-on or Hook-on ISO forks.

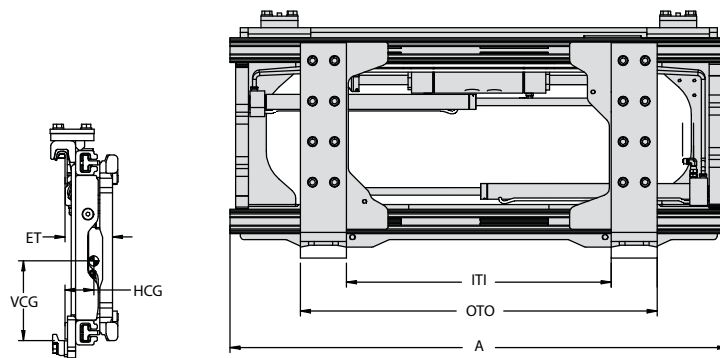
OPTIONS

- Load backrest.
- Optional multi-position fork carriers.
- Cold storage design available, consult Cascade.



Catalogue Order No.	Capacity@ Load Centre kg@mm	Frame Width (mm) A	Opening Range (mm)		Total Sideshift Available mm	Min. Truck Carriage Width mm	Effective Thickness (mm) ET	Horizontal Centre of Gravity (mm) HCG	Vertical Centre of Gravity (mm) VCG	Weight kg	Mounting Class ISO 2328
			ITI (min-max)	OTO (min-max)							
25N-FPS-2-0079	2500@600	790	50-465	480-895	200	750	114	50	218	114	2
25N-FPS-2-0099	2500@600	990	50-665	480-1095	200	885	114	47	218	117	2
25N-FPS-2-0105	2500@600	1050	50-725	480-1155	200	914	114	46	218	121	2
25N-FPS-2-0109	2500@600	1090	50-765	480-1195	200	914	114	46	218	123	2
25N-FPS-2-0115	2500@600	1150	50-825	480-1255	200	1010	114	46	220	126	2
25N-FPS-2-0129	2500@600	1290	50-965	480-1395	200	1168	114	45	220	133	2
25N-FPS-2-0135	2500@600	1350	50-1025	480-1455	200	1168	114	45	208	143	2
35N-FPS-3-0104	3500@600	1040	50-715	480-1145	200	914	131	53	284	167	3
35N-FPS-3-0109	3500@600	1090	50-765	480-1195	200	914	131	53	285	173	3
35N-FPS-3-0115	3500@600	1150	50-825	480-1255	200	1010	131	53	286	176	3
35N-FPS-3-0125	3500@600	1250	50-925	480-1355	200	1065	131	52	286	183	3
35N-FPS-3-0135	3500@600	1350	50-1025	480-1455	200	1168	131	51	286	191	3
35N-FPS-3-0155	3500@600	1550	50-1225	480-1655	200	1320	131	50	276	212	3
35N-FPS-3-0165	3500@600	1650	50-1325	480-1755	200	1524	131	49	276	224	3
50N-FPS-3-0109	5000@600	1090	60-750	500-1190	200	914	141	59	277	207	3
50N-FPS-3-0115	5000@600	1150	60-810	500-1250	200	1010	141	59	277	212	3
50N-FPS-3-0129	5000@600	1290	60-950	500-1390	200	1168	141	57	279	225	3
50N-FPS-3-0135	5000@600	1350	60-1010	500-1450	200	1168	141	57	279	231	3
50N-FPS-3-0145	5000@600	1450	60-1110	500-1550	200	1220	141	56	268	248	3
50N-FPS-3-0150	5000@600	1500	60-1160	500-1600	200	1320	141	56	268	253	3
50N-FPS-3-0155	5000@600	1550	60-1210	500-1650	200	1320	141	56	268	258	3
50N-FPS-3-0175	5000@600	1750	60-1410	500-1850	200	1524	141	55	260	288	3
50N-FPS-3-0185	5000@600	1850	60-1510	500-1950	200	1670	141	54	259	300	3

- ▶ Maximum useable fork lengths: 2400 mm.
- ▶ 25N design accepts 80, 100, 120, 125, 130, 150 fork widths.
- ▶ 35N design accepts 80, 100, 120, 125, 130, 150 fork widths.
- ▶ 50N design accepts 120, 125, 130, 150, 180, 200 fork widths.



Catalogue Order No.	Capacity@ Load Centre kg@mm	Frame Width (mm) A	Opening Range (mm) Fork bolt on inside ITI (min-max)	Opening Range (mm) Fork bolt on Outside OTO (min-max)	Fork Size (mm) LxWxT	Total Sideshift Available mm	Min. Truck Carriage Width mm	Effective Thickness (mm) ET	Horizontal Centre of Gravity (mm) HCG	Vertical Centre of Gravity (mm) VCG	Weight kg	Mounting Class ISO 2328
25N-FPS-2A-1079	2500@600	790	-	480-895	1200x100x40	200	750	154	247	129	206	2
25N-FPS-2A-1099	2500@600	990	-	480-1095	1200x100x40	200	885	154	243	130	209	2
25N-FPS-2A-1105	2500@600	1050	-	480-1155	1200x100x40	200	914	154	239	132	213	2
25N-FPS-2A-1109	2500@600	1090	-	480-1195	1200x100x40	200	914	154	237	132	215	2
25N-FPS-2A-1115	2500@600	1150	-	480-1255	1200x100x40	200	1010	154	234	135	218	2
25N-FPS-2A-1129	2500@600	1290	-	480-1395	1200x100x40	200	1168	154	228	137	225	2
25N-FPS-2A-1135	2500@600	1350	-	480-1455	1200x100x40	200	1168	154	220	134	235	2
35N-FPS-3A-1104	3500@600	1040	-	480-1145	1200x125x45	200	914	176	233	180	301	3
35N-FPS-3A-1109	3500@600	1090	-	480-1195	1200x125x45	200	914	176	230	183	307	3
35N-FPS-3A-1115	3500@600	1150	-	480-1255	1200x125x45	200	1010	176	228	184	310	3
35N-FPS-3A-1125	3500@600	1250	-	480-1355	1200x125x45	200	1065	176	224	187	317	3
35N-FPS-3A-1135	3500@600	1350	-	480-1455	1200x125x45	200	1168	176	219	189	325	3
35N-FPS-3A-1155	3500@600	1550	-	480-1655	1200x125x45	200	1320	176	208	189	346	3
35N-FPS-3A-1165	3500@600	1650	-	480-1755	1200x125x45	200	1524	176	202	192	358	3
50N-FPS-3A-1109	5000@600	1090	-	500-1190	1200x150x50	200	914	191	248	174	381	3
50N-FPS-3A-1115	5000@600	1150	-	500-1250	1200x150x50	200	1010	191	246	176	386	3
50N-FPS-3A-1129	5000@600	1290	-	500-1390	1200x150x50	200	1168	191	238	180	399	3
50N-FPS-3A-1135	5000@600	1350	-	500-1450	1200x150x50	200	1168	191	238	182	405	3
50N-FPS-3A-1145	5000@600	1450	-	500-1550	1200x150x50	200	1220	191	228	179	422	3
50N-FPS-3A-1150	5000@600	1500	-	500-1600	1200x150x50	200	1320	191	226	180	427	3
50N-FPS-3A-1155	5000@600	1550	-	500-1650	1200x150x50	200	1320	191	224	181	432	3
50N-FPS-3A-1175	5000@600	1750	-	500-1850	1200x150x50	200	1524	191	212	182	462	3
50N-FPS-3A-1185	5000@600	1850	-	500-1950	1200x150x50	200	1670	191	208	184	474	3

- ▶ Models with minimum opening, 5 mm ITI available. Consult Cascade.
- ▶ Maximum useable fork lengths: 2400 mm.