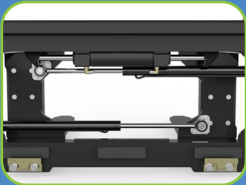
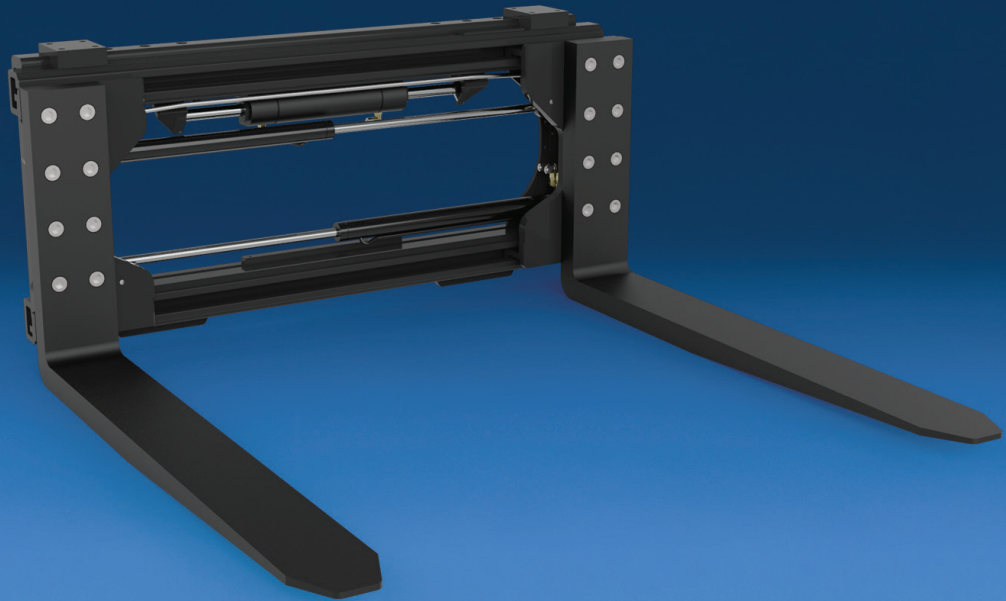


# The High-Centre Visibility You Have Been Looking For



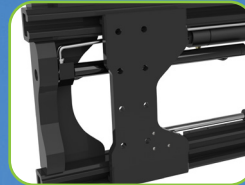
Hydraulic linked cylinder ensures synchronization.



Long lasting upper bearings encapsulated to protect from dirt. Grease fitting access in upper hook for easy lubrication.



Spread cylinder design maximising centre view window.



Hook-on or Bolt-on type forks available.



Optional robust backrest anchors for greater support.

## APPLICATIONS

Cascade's new N-Series Fork Positioners offer the high-centre visibility you have been looking for. Our rugged T-Bar design supported by long lasting, low friction nylon bearings provide precise handling of your loads. Your choices of standard ISO style or Bolt-on Forks, backrest heights and frame widths allows Cascade's N-Series to be tailored to your needs.

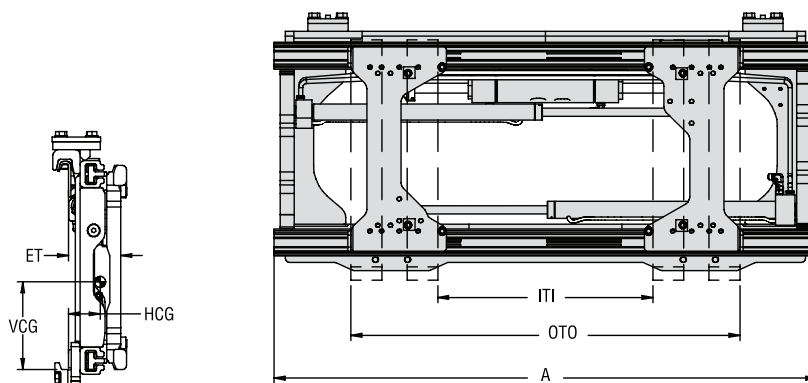
## FEATURES

- Spread cylinder design maximises centre visibility window.
- Centre mount sideshift cylinder provides smooth sideshift function.
- Accepts fork lengths up to 2400mm.
- Fork carriers extend past frame for maximum out-to-out fork position.
- Linked cylinders provide perfect synchronization.
- Bolt-on or Hook-on ISO forks.

## OPTIONS

- Load backrest.
- Optional multi-position fork carriers.
- Cold storage design available, consult Cascade.

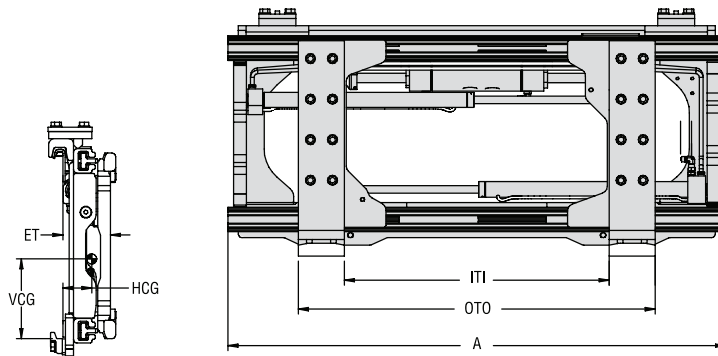
# N-SERIES FORK POSITIONERS HOOK-ON FORKS



Catalogue Order No.	Capacity @ Load Centre kg@mm	Frame Width mm	Opening Range Fork		Total Sideshift Available mm	Min. Truck Carriage	Effective Thickness mm	Centre of Gravity		Weight kg	Mounting Class ISO 2328
			ITI mm	OTO mm				Horizontal mm	Vertical mm		
25N-FPS-2-0079	2500@600	790	50-465	480-895	200	750	114	50	218	114	2
25N-FPS-2-0099	2500@600	990	50-665	480-1095	200	885	114	47	218	117	2
25N-FPS-2-0105	2500@600	1050	50-725	480-1155	200	914	114	46	218	121	2
25N-FPS-2-0109	2500@600	1090	50-765	480-1195	200	914	114	46	218	123	2
25N-FPS-2-0115	2500@600	1150	50-825	480-1255	200	1010	114	46	220	126	2
25N-FPS-2-0129	2500@600	1290	50-965	480-1395	200	1168	114	45	220	133	2
25N-FPS-2-0135	2500@600	1350	50-1025	480-1455	200	1168	114	45	208	143	2
35N-FPS-3-0104	3500@600	1040	50-715	480-1145	200	914	131	53	284	167	3
35N-FPS-3-0109	3500@600	1090	50-765	480-1195	200	914	131	53	285	173	3
35N-FPS-3-0115	3500@600	1150	50-825	480-1255	200	1010	131	53	286	176	3
35N-FPS-3-0125	3500@600	1250	50-925	480-1355	200	1065	131	52	286	183	3
35N-FPS-3-0135	3500@600	1350	50-1025	480-1455	200	1168	131	51	286	191	3
35N-FPS-3-0155	3500@600	1550	50-1225	480-1655	200	1320	131	50	276	212	3
35N-FPS-3-0165	3500@600	1650	50-1325	480-1755	200	1524	131	49	276	224	3
50N-FPS-3-0109	5000@600	1090	60-750	500-1190	200	914	141	59	277	207	3
50N-FPS-3-0115	5000@600	1150	60-810	500-1250	200	1010	141	59	277	212	3
50N-FPS-3-0129	5000@600	1290	60-950	500-1390	200	1168	141	57	279	225	3
50N-FPS-3-0135	5000@600	1350	60-1010	500-1450	200	1168	141	57	279	231	3
50N-FPS-3-0145	5000@600	1450	60-1110	500-1550	200	1220	141	56	268	248	3
50N-FPS-3-0150	5000@600	1500	60-1160	500-1600	200	1320	141	56	268	253	3
50N-FPS-3-0155	5000@600	1550	60-1210	500-1650	200	1320	141	56	268	258	3
50N-FPS-3-0175	5000@600	1750	60-1410	500-1850	200	1524	141	55	260	288	3
50N-FPS-3-0185	5000@600	1850	60-1510	500-1950	200	1670	141	54	259	300	3
60N-FPS-4-0135	6000@600	1350	55-975	500-1420	200	1100	148	63	352	315	4
60N-FPS-4-0140	6000@600	1400	55-1025	500-1470	200	1100	148	62	353	321	4
60N-FPS-4-0145	6000@600	1450	55-1075	500-1520	200	1100	148	62	353	327	4
60N-FPS-4-0150	6000@600	1500	55-1125	500-1570	200	1100	148	62	354	333	4
60N-FPS-4-0186	6000@600	1860	55-1485	500-1930	200	1460	148	59	352	387	4
60N-FPS-4-0200	6000@600	2000	55-1625	500-2070	200	1600	148	58	354	405	4
60N-FPS-4-0210	6000@600	2100	55-1725	500-2170	200	1724	148	58	355	418	4

- ▶ Maximum useable fork lengths: 2400 mm. **Consult Cascade.**
- ▶ 25N design accepts 80, 100, 120, 125, 130, 150 mm fork widths.
- ▶ 35N design accepts 80, 100, 120, 125, 130, 150 mm fork widths.
- ▶ 50N design accepts 120, 125, 130, 150, 180, 200 mm fork widths.
- ▶ 60N design accepts 130 - 150 - 180 - 200 mm fork widths.

# N-SERIES FORK POSITIONERS BOLT-ON FORKS



Catalogue Order No.	Capacity @ Load Centre	Frame Width	Opening Range Fork bolt on Outside	Fork Size	Total Sideshift Available	Min. Truck Carriage	Effective Thickness	Horizontal Centre of Gravity	Vertical Centre of Gravity	Weight	Mounting Class
	kg@mm	mm	mm	mm	mm	mm	mm	mm	mm	kg	
25N-FPS-2A-1079	2500@600	790	480-895	1200x100x40	200	750	154	247	129	206	2A
25N-FPS-2A-1099	2500@600	990	480-1095	1200x100x40	200	885	154	243	130	209	2A
25N-FPS-2A-1105	2500@600	1050	480-1155	1200x100x40	200	914	154	239	132	213	2A
25N-FPS-2A-1109	2500@600	1090	480-1195	1200x100x40	200	914	154	237	132	215	2A
25N-FPS-2A-1115	2500@600	1150	480-1255	1200x100x40	200	1010	154	234	135	218	2A
25N-FPS-2A-1129	2500@600	1290	480-1395	1200x100x40	200	1168	154	228	137	225	2A
25N-FPS-2A-1135	2500@600	1350	480-1455	1200x100x40	200	1168	154	220	134	235	2A
35N-FPS-3A-1104	3500@600	1040	480-1145	1200x125x45	200	914	176	233	180	301	3A
35N-FPS-3A-1109	3500@600	1090	480-1195	1200x125x45	200	914	176	230	183	307	3A
35N-FPS-3A-1115	3500@600	1150	480-1255	1200x125x45	200	1010	176	228	184	310	3A
35N-FPS-3A-1125	3500@600	1250	480-1355	1200x125x45	200	1065	176	224	187	317	3A
35N-FPS-3A-1135	3500@600	1350	480-1455	1200x125x45	200	1168	176	219	189	325	3A
35N-FPS-3A-1155	3500@600	1550	480-1655	1200x125x45	200	1320	176	208	189	346	3A
35N-FPS-3A-1165	3500@600	1650	480-1755	1200x125x45	200	1524	176	202	192	358	3A
50N-FPS-3A-1109	5000@600	1090	500-1190	1200x150x50	200	914	191	248	174	381	3A
50N-FPS-3A-1115	5000@600	1150	500-1250	1200x150x50	200	1010	191	246	176	386	3A
50N-FPS-3A-1129	5000@600	1290	500-1390	1200x150x50	200	1168	191	238	180	399	3A
50N-FPS-3A-1135	5000@600	1350	500-1450	1200x150x50	200	1168	191	238	182	405	3A
50N-FPS-3A-1145	5000@600	1450	500-1550	1200x150x50	200	1220	191	228	179	422	3A
50N-FPS-3A-1150	5000@600	1500	500-1600	1200x150x50	200	1320	191	226	180	427	3A
50N-FPS-3A-1155	5000@600	1550	500-1650	1200x150x50	200	1320	191	224	181	432	3A
50N-FPS-3A-1175	5000@600	1750	500-1850	1200x150x50	200	1524	191	212	182	462	3A
50N-FPS-3A-1185	5000@600	1850	500-1950	1200x150x50	200	1670	191	208	184	474	3A
60N-FPS-4A-1135	6000@600	1350	500-1420	1200x150x60	200	1100	208	224	231	566	4A
60N-FPS-4A-1140	6000@600	1400	500-1470	1200x150x60	200	1100	208	222	232	572	4A
60N-FPS-4A-1145	6000@600	1450	500-1520	1200x150x60	200	1100	208	220	234	578	4A
60N-FPS-4A-1150	6000@600	1500	500-1570	1200x150x60	200	1100	208	218	236	584	4A
60N-FPS-4A-1186	6000@600	1860	500-1930	1200x150x60	200	1460	208	204	245	637	4A
60N-FPS-4A-1200	6000@600	2000	500-2070	1200x150x60	200	1600	208	199	249	655	4A
60N-FPS-4A-1210	6000@600	2100	500-2170	1200x150x60	200	1724	208	196	252	668	4A

- ▶ Models with minimum opening 5 mm ITI available. **Consult Cascade.**
- ▶ Maximum useable fork lengths: 2400 mm. **Consult Cascade.**
- ▶ 60N - Standard adapter with dual mounting with forks in open position: Bolt-on forks for 150mm; hook-on forks for 130 - 150 - 180mm.

Cascade (UK) Ltd • 3 Kelbrook Road • Parkhouse Industrial Estate • Openshaw • Manchester M11 2DD • England • Tel. +44 (0) 161 438 4020  
 Cascade Benelux/Parts Depot • Damsluisweg 56 • PO Box 3009 • 1300 EL Almere, The Netherlands • Tel +31 036 54 92 950  
 Cascade European Headquarters • Cascade Italia S.r.l. • Via Dell'Artigianato 1 • 37030 Vago di Lavagno (VR) • Italy • Tel. +39 045 8989111

