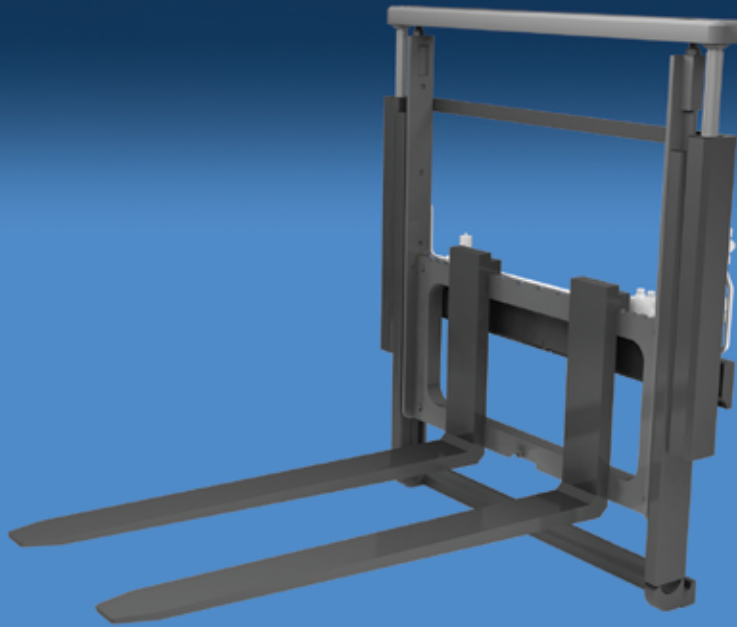


Increases the Lifting Height of an Existing Mast.



APPLICATION

This unique Mast Height Extension system is designed to provide additional lift height to a wide range of forklift trucks. This is especially useful if the existing mast does not comply with the requested height. The extra lift height may also allow for increased storage as more pallets can be stored at higher levels without changing the mast, (upright), on the forklift.

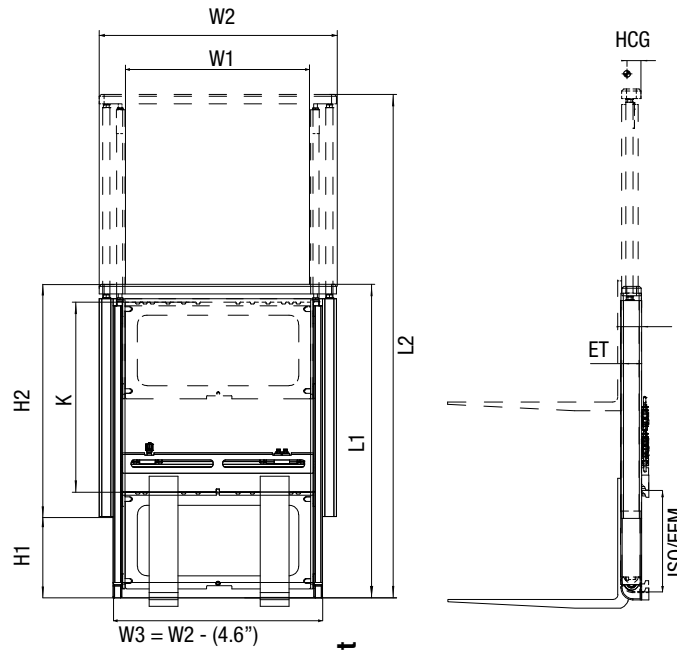
FEATURES

- Excellent visibility.
- Minimum lost load thickness.
- Existing lift truck forks can be used.
- Lift truck forks can be moved sideways.
- One hydraulic function.

OPTIONS

- Camera for improved visibility.
- Suitable for tilting carriage.
- Can be used in combination with ReachForks®





Catalog Order No.	Capacity@ 24" (600 mm) Load Center		Mtg. Class	Fork OTO	Min. Carriage Width	Retracted Height	Overall Height	Effective Thickness	Stroke	Horizontal Ctr. of Gravity	Vertical Ctr. of Gravity	Weight	
	lbs	kg										lbs	kg
20A-MHE-2A-0355	4,400	2,000	II	21.7"	29.5"	33.8"	45.6"	2.0"	11.8"	1.2"	16.3"	260	118
20A-MHE-2A-0380	4,400	2,000	II	31.5"	39.4"	33.8"	45.6"	2.0"	11.8"	1.1"	16.3"	304	138
20A-MHE-2A-0555	4,400	2,000	II	21.7"	29.5"	40.2"	59.8"	2.0"	19.7"	1.2"	19.5"	299	136
20A-MHE-2A-0580	4,400	2,000	II	31.5"	39.4"	40.2"	59.8"	2.0"	19.7"	1.1"	19.5"	343	156
20A-MHE-2A-0755	4,400	2,000	II	31.5"	39.4"	48.0"	75.6"	2.0"	27.7"	1.3"	23.0"	339	154
20A-MHE-2A-0780	4,400	2,000	II	31.5"	39.4"	48.0"	75.6"	2.0"	27.7"	1.2"	22.8"	383	174
20A-MHE-2A-1055	4,400	2,000	II	21.7"	29.5"	59.8"	99.2"	2.0"	39.4"	1.3"	28.3"	396	180
20A-MHE-2A-1080	4,400	2,000	II	31.5"	39.4"	59.8"	99.2"	2.0"	39.4"	1.3"	28.0"	440	200
30A-MHE-3A-0310	6,600	3,000	III	39.4"	47.2"	36.6"	48.4"	2.2"	11.8"	0.9"	17.7"	462	210
30A-MHE-3A-0380	6,600	3,000	III	31.5"	39.4"	36.6"	48.4"	2.2"	11.8"	1.0"	18.3"	389	177
30A-MHE-3A-0510	6,600	3,000	III	39.4"	47.2"	44.5"	64.2"	2.2"	19.7"	1.0"	20.9"	506	230
30A-MHE-3A-0580	6,600	3,000	III	31.5"	39.4"	44.5"	64.2"	2.2"	19.7"	1.1"	21.3"	427	194
30A-MHE-3A-0710	6,600	3,000	III	39.4"	47.2"	52.4"	79.9"	2.2"	27.7"	1.1"	23.6"	550	250
30A-MHE-3A-0780	6,600	3,000	III	31.5"	39.4"	52.4"	79.9"	2.2"	27.7"	1.1"	24.4"	466	212
30A-MHE-3A-1010	6,600	3,000	III	39.4"	47.2"	64.2"	103.5"	2.2"	39.4"	1.1"	28.1"	616	280
30A-MHE-3A-1080	6,600	3,000	III	31.5"	39.4"	64.2"	103.5"	2.2"	39.4"	1.2"	29.3"	528	240

- The lift truck manufacturer must determine the combined attachment and lift truck capacity.
- All necessary lift truck requirements to add the attachment will be provided by Cascade-KOOI.
- When mounted on tilting carriage, additional thickness (ET) is required to clear mast.