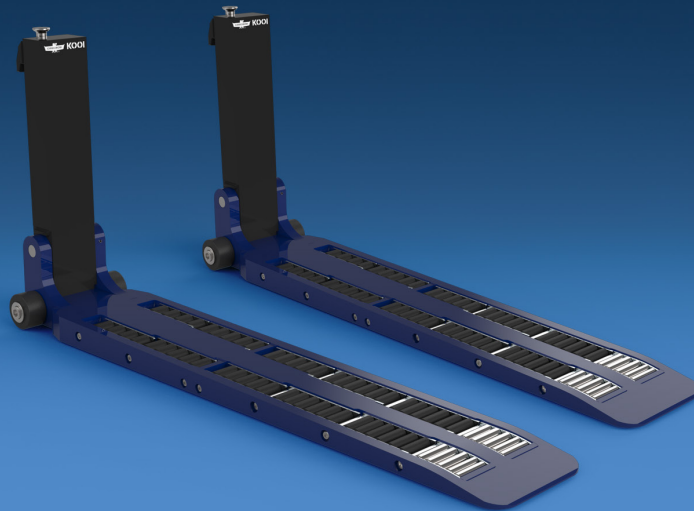


# The new revolution for palletless transport



Pallet and slip sheet compatibility for lower operating costs.



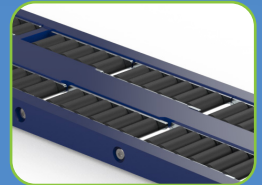
Rollers increase productivity with fast loading and unloading.



Folds for storage and ease of use.



Standard ITA mounting & no hydraulic connections for easy compatibility.



Versatile load handling, including boxes, cartons, and bagged goods.

## APPLICATION

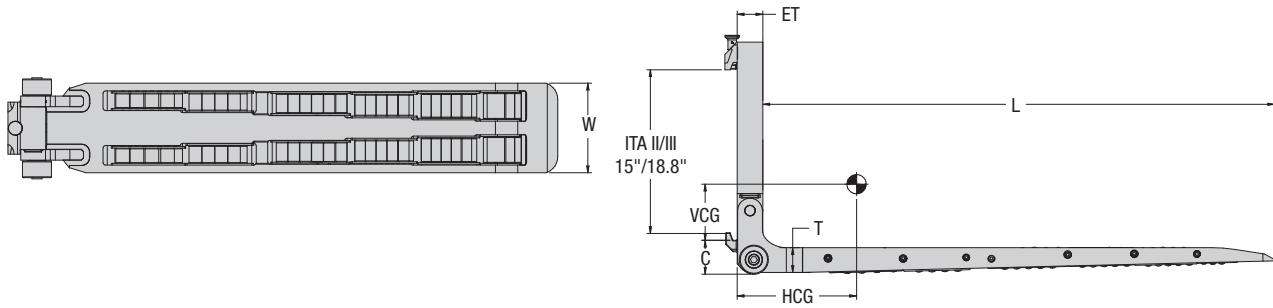
Increase the versatility and efficiency of your lift truck by using Cascade-KOOI Rollerforks®. These specialty forks use a retractable internal rolling mechanism to quickly load and unload pallets, slip-sheets and more. These forks hang on standard lift truck carriages making them a lighter and more cost-effective option than Push-Pulls for certain applications.

## OPTIONS

- Pin type, Drop Shank, and Custom mountings available.
- Special design for use in cold storage applications.
- Can be integrated onto Side-shifters and Fork Positioners.
- Available in 5 capacity ranges.

## FEATURES

- Flexible applications: compatible with both slip sheets and pallets, as well as boxes, cartons, and bagged goods.
- No hydraulic connections for fast installation and removal.
- No pantograph or face plate for excellent visibility over Push-Pulls.
- Ideal for handling single-stacked loads.
- ISO ITA Class II or III mounting as standard for quick installation.



Catalog Order No.	Capacity@ 24" (600 mm) Load Center		Mtg. Class	Fork Thickness	Fork Width	Fork Length	Underclearance	Effective Thickness	Horizontal Ctr. of Gravity	Weight (Per Pair)	
	lbs	kg		T	W	L	C	ET	HCG	lbs	kg
<b>ROLLERFORKS® , no hydraulic required</b>											
10B-FRR-2A-1100	1825	830	II	1.9"	7.5"	43.3"	2.9"	2.0"	13.5"	286	130
10B-FRR-2A-1200	1825	830	II	1.9"	7.5"	47.2"	2.9"	2.0"	15.5"	297	135
15B-FRR-2A-1100	2750	1250	II	1.9"	6.3"	43.3"	2.9"	2.0"	14.9"	253	115
15B-FRR-2A-1200	2750	1250	II	1.9"	6.3"	47.2"	2.9"	2.0"	12.8"	271	123
20B-FRR-2A-1100	3650	1660	II	1.9"	8.3"	43.3"	2.9"	2.4"	13.3"	323	147
20B-FRR-2A-1200	3650	1660	II	1.9"	8.3"	47.2"	2.9"	2.4"	15.3"	341	155
24B-FRR-2A-1100	4400	2000	II	1.9"	8.3"	43.3"	2.9"	2.4"	13.1"	332	151
24B-FRR-2A-1200	4400	2000	II	1.9"	8.3"	47.2"	2.9"	2.4"	15.1"	352	160
30B-FRR-3A-1100	5500	2500	III	1.9"	12.2"	43.3"	2.9"	2.4"	12.6"	561	255
30B-FRR-3A-1200	5500	2500	III	1.9"	12.2"	47.2"	2.9"	2.4"	14.7"	594	270
<b>ROLLERFORKS® , for refrigerated containers</b>											
10B-FRR-2A-5100	1825	830	II	1.9"	9.8"	43.3"	2.9"	2.0"	15.0"	286	130
10B-FRR-2A-5200	1825	830	II	1.9"	9.8"	47.2"	2.9"	2.0"	16.5"	304	138
20B-FRR-2A-5100	3650	1660	II	1.9"	10.6"	43.3"	2.9"	2.4"	13.7"	352	160
20B-FRR-2A-5200	3650	1660	II	1.9"	10.6"	47.2"	2.9"	2.4"	15.2"	376	171
24B-FRR-2A-5100	4400	2000	II	1.9"	10.6"	43.3"	2.9"	2.4"	13.7"	361	164
24B-FRR-2A-5200	4400	2000	II	1.9"	10.6"	47.2"	2.9"	2.4"	15.4"	387	176

- The lift truck manufacturer must determine the combined attachment and lift truck capacity.
- All necessary lift truck requirements to add the attachment will be provided by Cascade-KOOI®.

### HOW IT WORKS

1. With fork against the ground, internal rollers engage. The bottom layer of rollers spins, driving the top layer in the opposite direction and pulling the load onto the forks.
2. Lifting the forks retracts the rolling mechanisms down for a flat load-bearing surface.
3. With the rollers engaged while reversing, the top layer of rollers push the load forward off the forks.

