

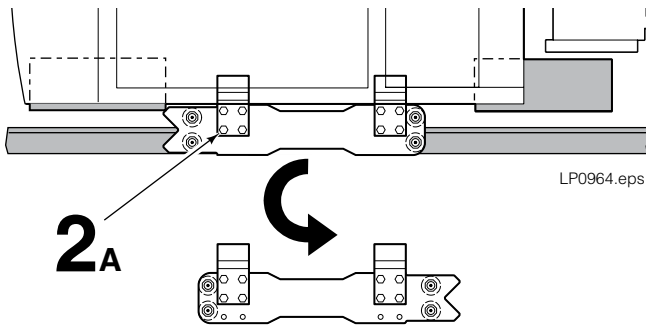


Technical Bulletin

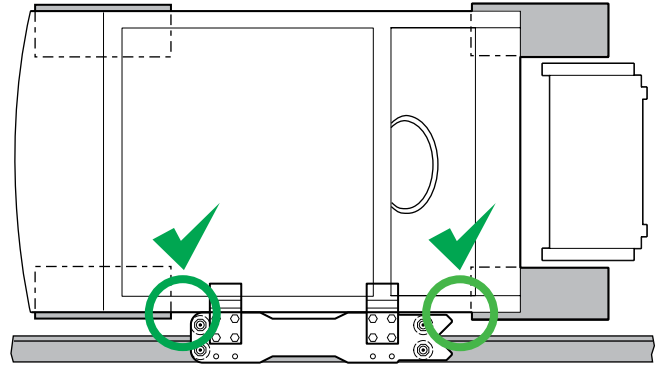
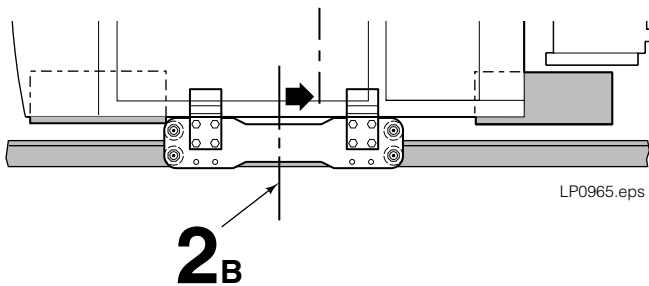
Inspecting Layer Picker Rail Followers for Truck Tire Interference

Rail follower assemblies must be installed to the truck chassis to provide sufficient clearance with the truck tires. Interference with the rear truck tires could impede steering of the lift truck.

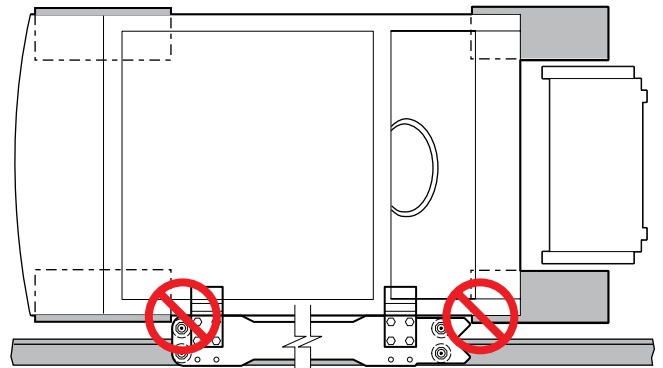
- 1 Inspect the rail follower for clearance with the lift trucks front tires and rear steering tires.
- 2 If repositioning the rail follower is required, two options are available:
 - A **Offset Mounted Followers** – Remove the capscrews fastening the rail follower assembly to the brackets. Rotate the follower 180° and reassemble to the brackets.



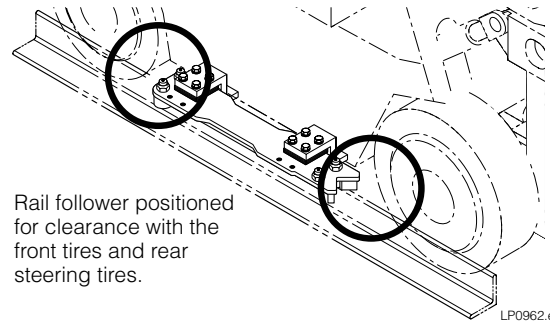
- B **Center Mounted Followers** – Remove the rail follower and brackets from the truck chassis, reposition between the tires for clearance and reweld to the truck chassis.



1 Clearance with the front tires and rear steering tires.



1 Rail follower interfering with the front tires or rear steering tires.



Rail follower positioned for clearance with the front tires and rear steering tires.

cascade[®] corporation

For Technical Support . . .

Call: 1-800-227-2233 Fax: 1-888-329-8207
 Internet: www.cascorp.com
 Write: Cascade Corporation, PO Box 20187, Portland, OR 97294

© Cascade Corporation 2018

To Order Parts . . .

Call: 1-888-227-2233 Fax: 1-888-329-0234
 Internet: www.cascorp.com
 Write: Cascade Corporation, 2501 Sheridan Ave., Springfield, OH 45505

10-2018

Part No. 6914477