

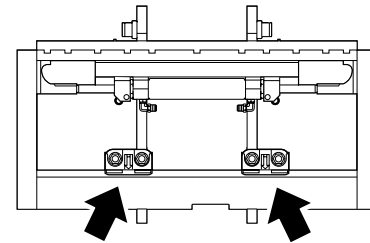


Installation Instructions

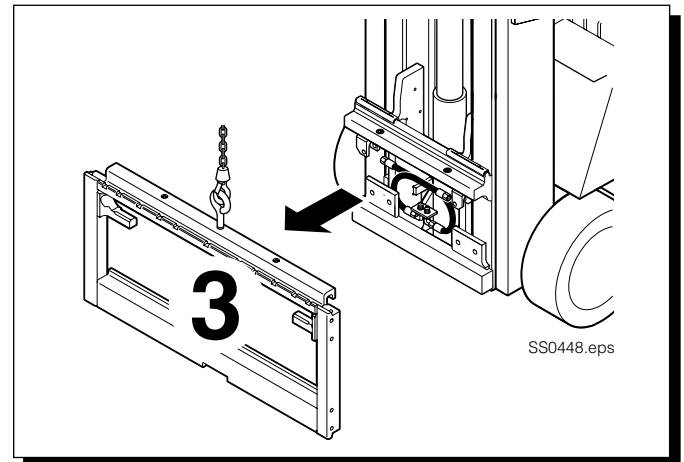
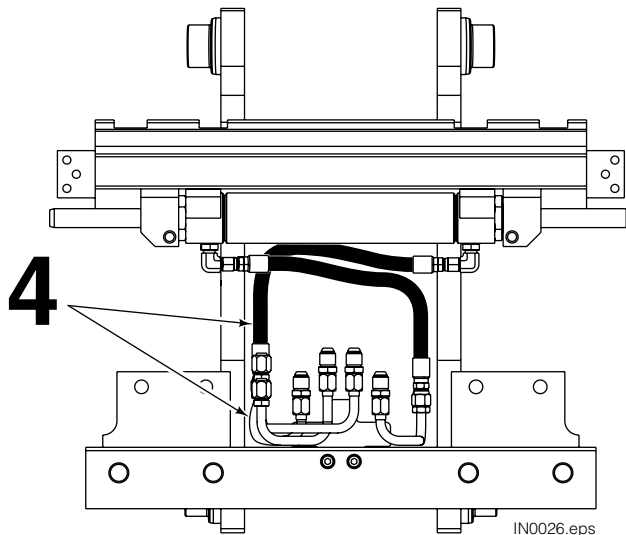
45C-ISS-A002 Conversion Kit 6912964

This sheet provides installation information for Conversion Kit 6912964. The kit includes new hoses, fasteners and a tube bracket with improved tube routing for components and connections.

- 1 Remove the forks and backrest (if equipped).
 - 2 Remove the lower mounting hooks.
 - 3 Install an M12 lifting eye in the center threaded hole in the frame's top bar. Use a 1000 lb. (450 kg) capacity overhead hoist and lift the frame away from the integral carriage.
- NOTE:** Bearings and cylinder will remain on the integral carriage bars.
- 4 Remove the existing hoses and tube bracket from the cylinder and integral carriage.



2 Lower Mounting Hooks



Part No. 6913539

cascade[®]
corporation

For Technical Support . . .

Call: 1-800-227-2233 Fax: 1-888-329-8207

Internet: www.cascorp.com

Write: Cascade Corporation, PO Box 20187, Portland, OR 97294

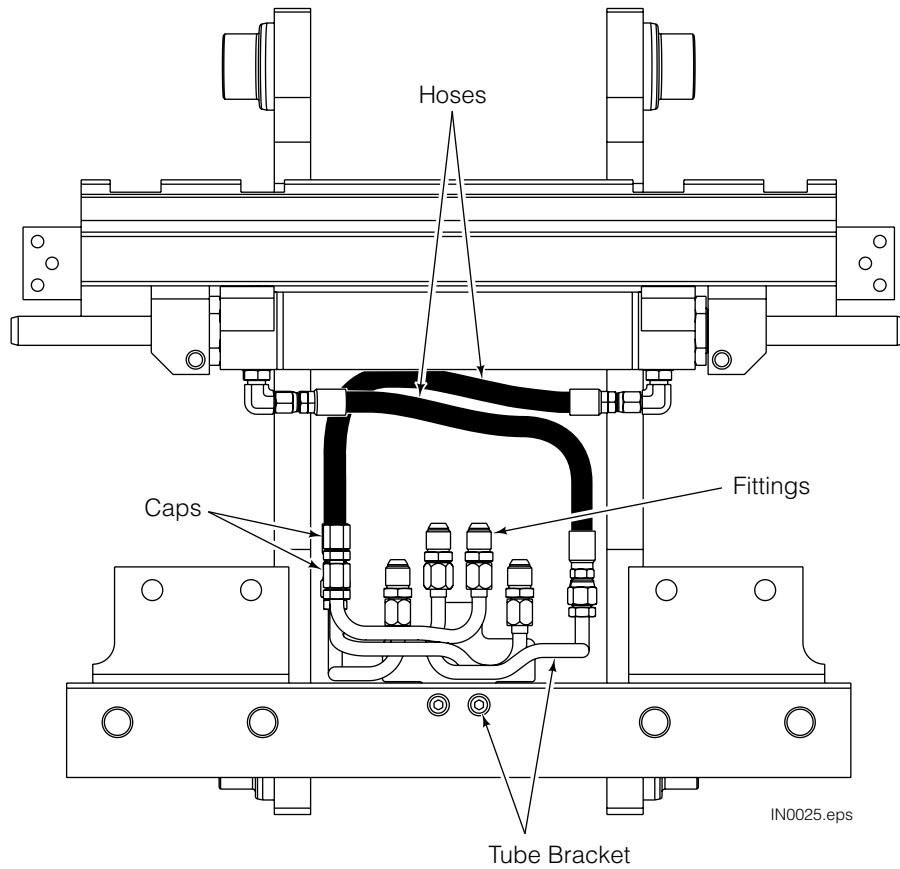
To Order Parts . . .

Call: 1-888-227-2233 Fax: 1-888-329-0234

Internet: www.cascorp.com

Write: Cascade Corporation, 2501 Sheridan Ave., Springfield, OH 45505

- 5 Install the conversion kit components. Tighten tube bracket capscrews to 14 ft.-lbs. (20 Nm).



- 6 Reinstall the frame to the integral carriage.

- Install and adjust lower hooks as shown.

CAUTION: Lower hook clearance must be adjusted as shown for proper sideshifter operation.

- Lubricate both upper and lower sideshifter bearings with general-purpose chassis grease.

