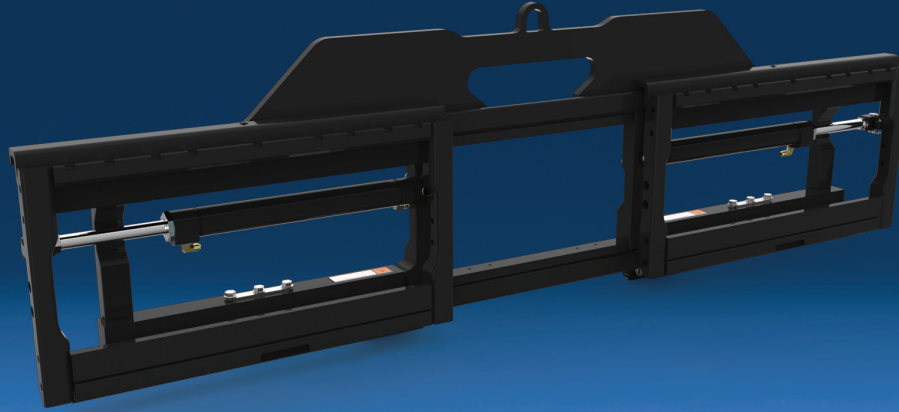


# Increase your productivity with a Double Sideshifter



Stiffer Frame Design to minimize "flowering".



Reduced lost load compared to the competition.



Proven Cascade engineered profiles for increased strength.



Better product placement due to increased visibility through the frame.

## APPLICATIONS

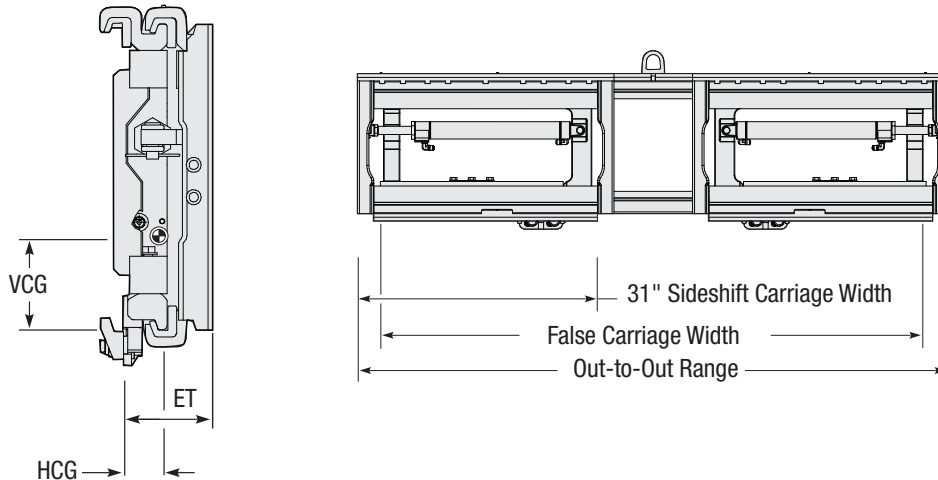
With a Double Sideshifter you can double your truck productivity by moving two pallets of product side-by-side instead of one pallet. The Cascade Double Sideshifter gives your driver the ability to pick loads that are separated, bring them together, sideshift both loads and spread the loads.

## FEATURES

- Excellent driver visibility is achieved by the design of the false carriage, sideshifters and backrests.
- Mounts on standard 36" truck carriage without welding or modifications. Up to 97" out to out. This feature saves the added costs of purchasing and servicing extended width truck carriages.
- Heavy-duty load backrests are engineered for typical double-wide industrial applications with demanding durability requirements. The vertical bar, double plate design provides both strength and visibility. (Order separately).
- Utilizes proven Cascade F-Series side shift components with a stronger frame to improve visibility and increase driver efficiency.
- Stiffer frame design to minimize "flowering" of loads and decrease maintenance costs.

## OPTIONS

- Single Function Control
- Two Function Control
- Custom Sizes & Ranges
- Hose Guards



Catalog Order No.	Capacity@ 24" (600 mm) Load Center		Out To Out Range	Truck/ Sideshift Mtg. Class	Max. Pallet Spread	Sideshift Stroke Each SS	False Carriage Width	Weight		Min. Truck Carriage Width	Effective Thickness	Horizontal Ctr. of Gravity	Vertical Ctr. of Gravity
	lbs	kg						lbs	kg				
25F-SSD-2-0001	5,500	2,500	63" - 90"	II	27"	13.6"	66"	502	228	34.5"	4.7"	2.0"	8.3"
25F-SSD-2-0002	5,500	2,500	67" - 94"	II	27"	13.6"	72"	519	236	34.5"	4.7"	2.0"	8.3"
25F-SSD-2-0003	5,500	2,500	70" - 97"	II	27"	13.6"	76"	530	241	34.5"	4.7"	2.0"	8.3"
32F-SSD-3-0001	6,500	2,955	63" - 90"	III	27"	13.6"	66"	548	249	34.5"	4.7"	1.9"	9.4"
32F-SSD-3-0002	6,500	2,955	67" - 94"	III	27"	13.6"	72"	565	257	34.5"	4.7"	1.9"	9.4"
32F-SSD-3-0003	6,500	2,955	70" - 97"	III	27"	13.6"	76"	590	268	34.5"	4.7"	1.8"	9.6"

- ▶ Custom units available, consult Cascade.
- ▶ Triple Sideshift available, consult Cascade.
- ▶ Alternate hydraulic functionality available.

**HYDRAULIC FUNCTIONS**

Hydraulic Functions	Truck Auxiliary Valves Required
2	2

**HYDRAULIC FLOW AND PRESSURE**

Maximum Pressure psi/bar	Min-Rec-Max Function 1 gpm
3,500/240	1 - 2 - 3

- ▶ Right hand termination standard, left hand termination available at no charge.

**MOUNTING CLASS INFORMATION**

Mounting Class Truck Capacity	
II	2,000-5,500 lbs.
III	6,000-10,000 lbs.

**OPTIONS:**



**HEAVY DUTY LOAD BACKRESTS**

Backrest Height	Weight	
	lbs	kg
36"	50	23
48"	75	34
60"	150	68
72"	175	79
76"	185	84
80"	195	89

- **Standard Operation: Independent Sideshift Control**  
Each sideshifter is independently controlled. A two function hydraulic supply is required.
- **Optional Operation: Single Function Control**  
Both sideshifters move simultaneously in opposite directions (in or out). A single function hydraulic supply is required.
- **Optional Operation: Two Function Control**  
The first function moves both sideshifters simultaneously in opposite directions (in or out). The second function moves both sideshifters simultaneously in the same direction (right or left). A two function hydraulic supply is required.