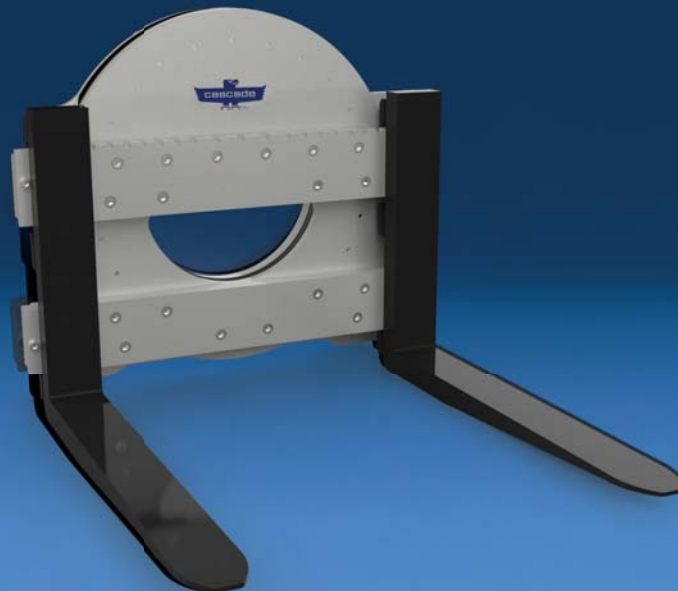


High Capacity Rotator for the Most Demanding Applications



Dual drive assemblies provide superior durability



Middle fork hook provides stability and maximizes capacity



Wide range of fork bar widths



Sealed visibility hole gives driver excellent sight line and prevents contamination



Fork keepers ensure forks remain secure on attachment

APPLICATIONS

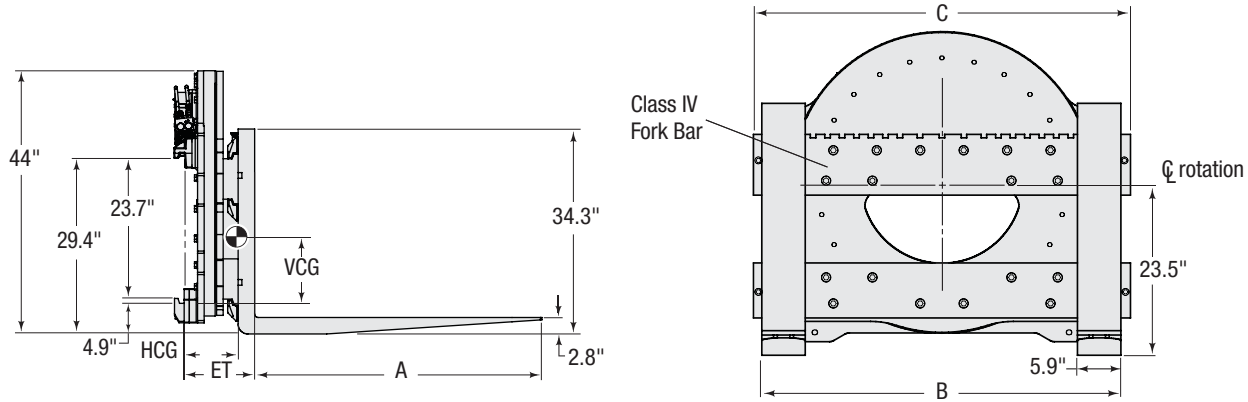
The 160G Rotator gives your driver the ability to quickly dump or invert a load easily and accurately. Cascade rotators are widely used in food processing, automotive, chemical processing, recycling operations, casting operations, and general manufacturing – anywhere it is necessary to dump bins or tote boxes.

FEATURES

- Cascade's dual gear drive and ring gear design are proven to provide superior durability and enable driver to quickly invert load.
- Large visibility window gives the driver an excellent view of the fork tips. Center seal locks out contamination.
- Good torque specifications ensure smooth, positive rotation of the load.
- Many fork bar widths are available to suit a wide variety of applications.
- Rotators may be ordered with forks or with fork bars only.
- Easy conversion of mounting hooks when changing truck sizes.

OPTIONS

- Special Fork Sizes and Configurations.
- Hydraulic Bin Retainer is custom designed to clamp on top of bin to hold bin in place while rotating. Typically used when bin does not have fork pockets.
- Mechanical Bin Retainer is designed to retain lightweight bins.
- Side Stabilizers help retain the load during rotation.
- 180° stop group.
- ERC – Electronic Rotation Control.
- Fork restraints to keep forks from twisting from side to side.
- Foundry options to protect against molten metal splash and high heat.



360° Rotation

Catalog Order No.	Capacity@ 24" (600 mm) Load Center		Fork Length	Maximum OTO Fork Spread		Mtg. Class	Mtg. Angle	Upper Hook Width OTO	Weight		Effective Thickness	Horizontal Ctr. of Gravity	Vertical Ctr. of Gravity	Overall Width
	lbs	kg		A	B				lbs	kg				
160G-RRB-10C	①	①	w/o Forks	49"	IV	0°	43.9"	1,907	867	9.0"	4.8"	16.9"	51.3"	
160G-RRB-20C	①	①	w/o Forks	61"	IV	0°	43.9"	2,028	922	9.0"	5.0"	16.6"	63.3"	
160G-RRB-30C	①	①	w/o Forks	73"	IV	0°	43.9"	2,148	976	9.0"	5.2"	16.4"	75.3"	
160G-RRB-14C	16,000	7,270	48"	49"	IV	0°	43.9"	2,555	1,161	11.8"	8.5"	13.9"	51.3"	
160G-RRB-24C	16,000	7,270	48"	61"	IV	0°	43.9"	2,663	1,211	11.8"	8.5"	13.9"	63.3"	
160G-RRB-34C	16,000	7,270	48"	73"	IV	0°	43.9"	2,783	1,265	11.8"	8.5"	13.8"	75.3"	
160G-RRB-16C	16,000	7,270	60"	49"	IV	0°	43.9"	2,652	1,205	11.8"	10.2"	13.2"	51.3"	
160G-RRB-26C	16,000	7,270	60"	61"	IV	0°	43.9"	2,773	1,260	11.8"	10.1"	13.2"	63.3"	
160G-RRB-36C	16,000	7,270	60"	73"	IV	0°	43.9"	2,893	1,315	11.8"	10.0"	13.2"	75.3"	
160G-RRB-17C	16,000	7,270	72"	49"	IV	0°	43.9"	2,764	1,256	11.8"	12.3"	12.5"	51.3"	
160G-RRB-27C	16,000	7,270	72"	61"	IV	0°	43.9"	2,885	1,311	11.8"	12.1"	12.5"	63.3"	
160G-RRB-37C	16,000	7,270	72"	73"	IV	0°	43.9"	3,005	1,366	11.8"	12.0"	12.5"	75.3"	

① See Capacity Chart below for capacities with various fork sizes. Capacity is shown with forks.

▶ Auxiliary pressure protection is required for the rotator section unless the option was specified at the time of the order. Contact your Cascade representative for details.

HYDRAULIC FLOW, PRESSURE & ROTATOR SPECIFICATIONS

Model	Maximum Attachment Working Pressure (psi)	Maximum Deliverable Pressure (psi/bar)	Rotator Circuit Pressure Protected Yes/No?	Attachment Number of Functions	Min-Rec-Max Function 1 (gpm)	Attachment Number of Functions	Truck Auxiliary Valves Required	RPM @ Flow (gpm)	Torque in/lbs. @ 2,300 psi
160G	500	2,300/160	No	1	10 - 20 - 20	1	1	3.6 @ 20	160,000

▶ If the maximum delivered truck pressure exceeds maximum attachment operating pressure and the attachment is not pressure protected, then auxiliary pressure protection is required.

▶ Optional motors providing faster rotation available. Reduced torque will result.

▶ Optional motors providing more torque available. Reduced speed will result.

Capacity at 24 in Load Center (600 mm) – Fork Size (W x T)

Model	Class	5 x 1.75 in	122 x 45 mm	5 x 2 in	122 x 50 mm	6 x 2 in	150 x 50 mm	6 x 2.5 in	150 x 65 mm	7 x 2 in	180 x 50 mm	8 x 3 in	75 x 200 mm
160G	IV	6,460 lbs	2,930 kg	8,075 lbs	3,663 kg	10,200 lbs	4,626 kg	16,000 lbs	7,257 kg	13,150 lbs	5,964 kg	—	—