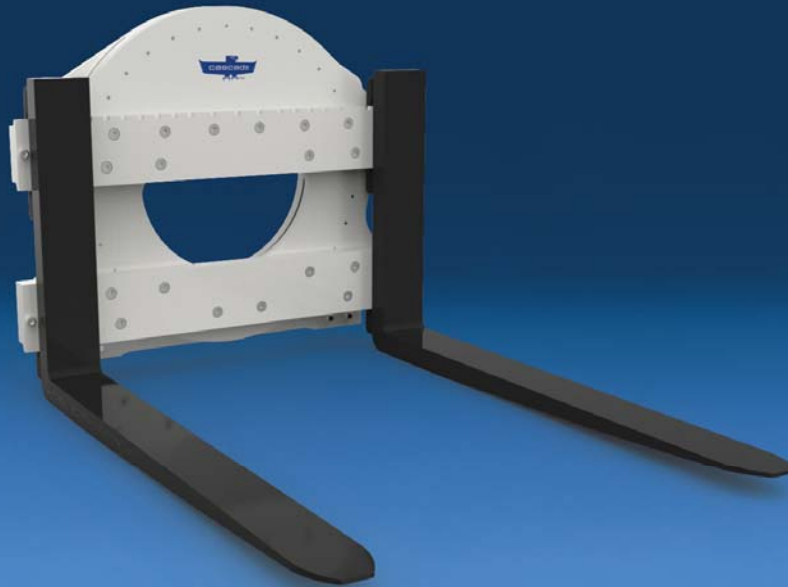
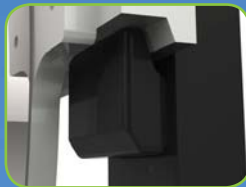


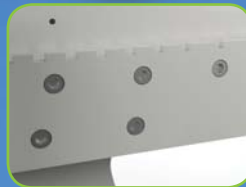
# Efficiently Rotate High Capacity Loads for the Most Demanding Applications



Direct drive assembly provides superior durability



Middle fork hook provides stability and maximizes capacity



Wide range of fork bar widths



Sealed visibility hole gives driver excellent sight line and prevents contamination



Fork keepers ensure forks remain secure on attachment

## APPLICATIONS

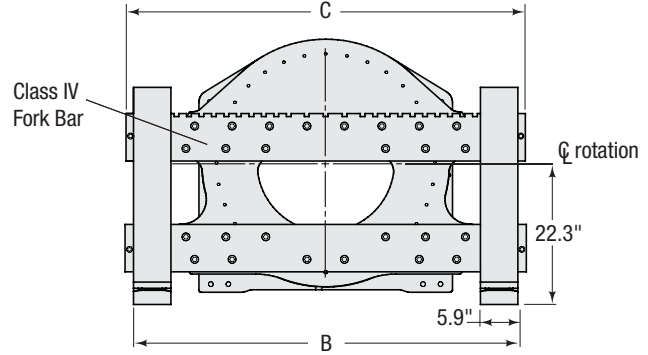
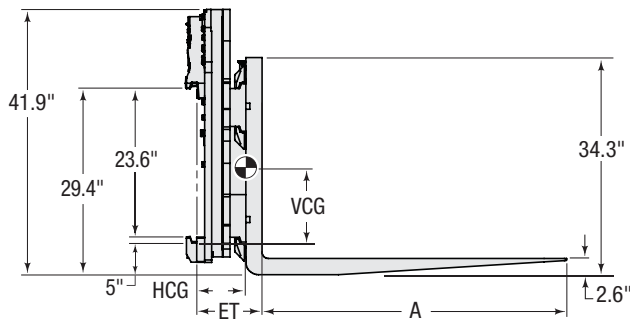
The 130G Rotator gives your driver the ability to quickly dump or invert a load easily and accurately. Cascade rotators are widely used in food processing, automotive, chemical processing, recycling operations, casting operations, and general manufacturing – anywhere it is necessary to dump bins or tote boxes.

## FEATURES

- Cascade's gear drive and ring gear design are proven to provide superior durability and enable driver to quickly invert load.
- Large visibility window gives the driver an excellent view of the fork tips. Center seal locks out contamination.
- Good torque specifications ensure smooth, positive rotation of the load.
- Many fork bar widths are available to suit a wide variety of applications.
- Rotators may be ordered with forks or with fork bars only.
- Easy conversion of mounting hooks when changing truck sizes.

## OPTIONS

- Special Fork Sizes and Configurations.
- Hydraulic Bin Retainer is custom designed to clamp on top of bin to hold bin in place while rotating. Typically used when bin does not have fork pockets.
- Mechanical Bin Retainer is designed to retain lightweight bins.
- Side Stabilizers help retain the load during rotation.
- 180° stop group.
- ERC – Electronic Rotation Control.
- Fork restraints to keep forks from twisting from side to side.
- Foundry options to protect against molten metal splash and high heat.



360° Rotation

Catalog Order No.	Capacity @ 24" (600 mm) Load Center		Fork Length	Maximum OTO Fork Spread		Mtg. Class	Mtg. Angle	Upper Hook Width OTO	Weight	Effective Thickness	Horizontal Ctr. of Gravity	Vertical Ctr. of Gravity	Overall Width
	lbs	kg		A	B								
130G-RRB-10C	①	①	w/o Forks	49"	IV	0°	38.6"	1,517	690	7.8"	4.1"	15.3"	51.3"
130G-RRB-20C	①	①	w/o Forks	61"	IV	0°	38.6"	1,632	742	7.8"	4.3"	15.1"	63.3"
130G-RRB-30C	①	①	w/o Forks	73"	IV	0°	38.6"	1,744	793	7.8"	4.4"	14.9"	75.3"
130G-RRB-14C	13,000	5,910	48"	49"	IV	0°	38.6"	2,106	957	10.3"	8.0"	12.4"	51.3"
130G-RRB-24C	13,000	5,910	48"	61"	IV	0°	38.6"	2,220	1,009	10.3"	7.9"	12.4"	63.3"
130G-RRB-34C	13,000	5,910	48"	73"	IV	0°	38.6"	2,334	1,061	10.3"	7.9"	12.4"	75.3"
130G-RRB-16C	13,000	5,910	60"	49"	IV	0°	38.6"	2,189	995	10.3"	9.7"	11.8"	51.3"
130G-RRB-26C	13,000	5,910	60"	61"	IV	0°	38.6"	2,304	1,047	10.3"	9.5"	11.8"	63.3"
130G-RRB-36C	13,000	5,910	60"	73"	IV	0°	38.6"	2,417	1,099	10.3"	9.4"	11.9"	75.3"
130G-RRB-17C	13,000	5,910	72"	49"	IV	0°	38.6"	2,221	1,010	10.3"	10.6"	11.6"	51.3"
130G-RRB-27C	13,000	5,910	72"	61"	IV	0°	38.6"	2,336	1,062	10.3"	10.4"	11.6"	63.3"
130G-RRB-37C	13,000	5,910	72"	73"	IV	0°	38.6"	2,449	1,113	10.3"	10.2"	11.7"	75.3"

① See Capacity Chart below for capacities with various fork sizes. Capacity is shown with forks.

▶ Auxiliary pressure protection is required for the rotator section unless the option was specified at the time of the order. Contact your Cascade representative for details.

HYDRAULIC FLOW, PRESSURE & ROTATOR SPECIFICATIONS

Model	Maximum Attachment Working Pressure (psi)	Maximum Deliverable Pressure (psi/bar)	Rotator Circuit Pressure Protected Yes/No?	Attachment Number of Functions	Min-Rec-Max Function 1 (gpm)	Attachment Number of Functions	Truck Auxiliary Valves Required	RPM @ Flow (gpm)	Torque in/lbs. @ 2,300 psi
130G	500	2,300/180	No	1	7 - 12 - 15	1	1	3.2 @ 15	136,000

▶ If the maximum delivered truck pressure exceeds maximum attachment operating pressure and the attachment is not pressure protected, then auxiliary pressure protection is required.

▶ Optional motors providing faster rotation available. Reduced torque will result.

▶ Optional motors providing more torque available. Reduced speed will result.

Capacity at 24 in Load Center (600 mm) – Fork Size (W x T)

Model	Class	5 x 1.75 in	122 x 45 mm	5 x 2 in	122 x 50 mm	6 x 2 in	150 x 50 mm	6 x 2.5 in	150 x 65 mm	7 x 2 in	180 x 50 mm	8 x 3 in	75 x 200 mm
130G	IV	6,460 lbs	2,930 kg	8,075 lbs	3,663 kg	10,200 lbs	4,626 kg	13,000 lbs	5,900 kg	13,000 lbs	5,900 kg	—	—