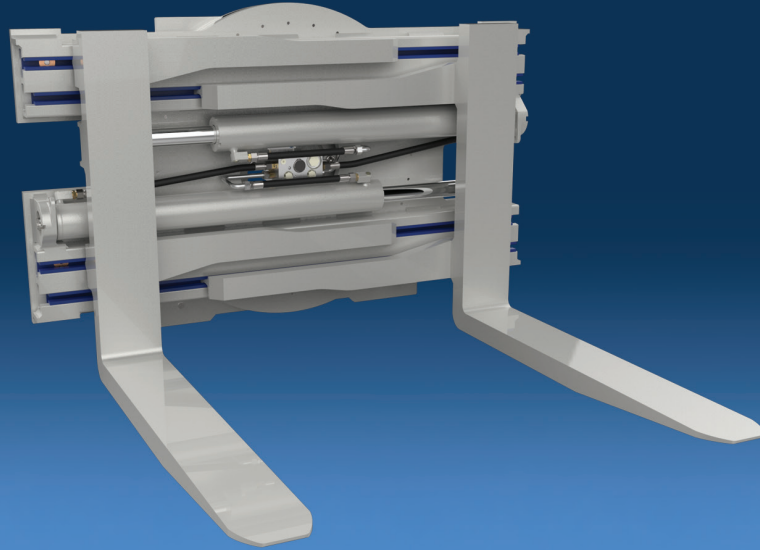
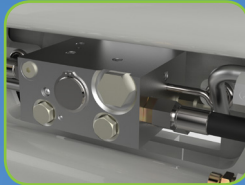


# High Performance Clamping, Rotating and Fork Positioning – The Handling Versatility You Need



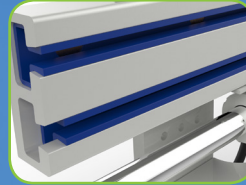
Optional steel bumper to protect valve and hydraulic components from impact and debris



Hydraulic revolving connection with flow divider for equal fork movement



Dual direct drive rotator gear box for heavy duty handling (120G/140G)



Lube-free, full-length lip over UHMW bearings provide superior durability and service life



Single direct drive rotator gear box for low noise and long life (100G)

## APPLICATIONS

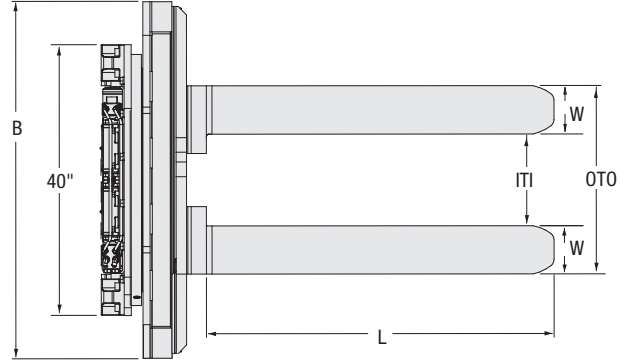
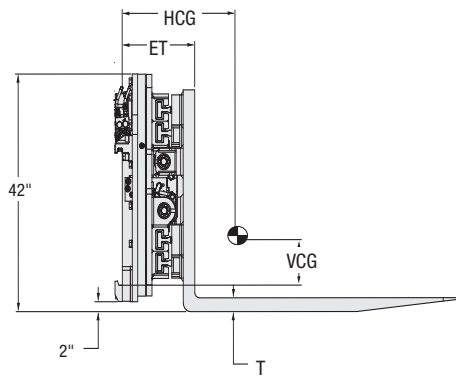
Used as a clamp, fork positioner and rotator – Cascade's G-Series Revolving Fork Clamps are a versatile attachment commonly used in recycling, food processing, automated manufacturing and general manufacturing operations where bins and hoppers are used for dumping and general handling requirements.

## FEATURES

- Fast and smooth 360° rotation for superior productivity and handling.
- Available for both high and low pressure hydraulic systems (100G).
- Lube-free, full-length UHMW bearings for long life.
- Overclamp and backhand clamp (open) protection relief.
- Flow divider for equal fork movement.
- High-strength, hot extruded steel frame.
- Rugged lightweight construction for maximum capacity retention.
- Bolt-on forks for easy replacement and removal.
- Smooth high-speed performance.
- Maximized clamp force for secure load handling.

## OPTIONS

- Custom frame widths.
- Custom opening ranges.
- Cylinder protection bumper.
- Custom fork types and sizes.
- Quick-Disconnect lower hooks.
- Custom high pressure hydraulic system (120G/140G).
- Clamp Open Guard.
- Various mounting options available.
- Consult Cascade for customized solutions to fit your application.



360° Rotation

Catalog Order No.	Clamp Capacity @ 24" (600 mm) Load Center		Opening Range		Overall Width B	Fork size LxWxT	Weight		Effective Thickness ET	Horizontal Ctr. of Gravity HCG	Vertical Ctr. of Gravity VCG	Mounting Class
	lbs	kg	ITI	OTO			lbs	kg				
<b>Low Pressure Models (Truck Operating Pressures Up To 2,760 psi)</b>												
100G-CFR-4A-0005	8,800	4,000	16.5"-70.9"	30.7"-85.0"	50.4"	48"x 7"x 2.6"	3,153	1,433	15.4"	10.8"	14.3"	IV
100G-CFR-4A-0010	8,800	4,000	16.5"-70.9"	30.7"-85.0"	50.4"	60"x 7"x 2.6"	3,276	1,489	15.4"	12.6"	13.6"	IV
100G-CFR-4A-0015	8,800	4,000	16.5"-70.9"	30.7"-85.0"	50.4"	72"x 7"x 2.6"	3,399	1,545	15.4"	14.8"	13.0"	IV
100G-CFR-4A-0020	8,800	4,000	16.2"-76.9"	30.4"-91.0"	58.3"	48"x 7"x 2.6"	3,326	1,512	15.4"	10.6"	14.4"	IV
100G-CFR-4A-0025	8,800	4,000	16.2"-76.9"	30.4"-91.0"	58.3"	60"x 7"x 2.6"	3,450	1,568	15.4"	12.4"	13.8"	IV
100G-CFR-4A-0030	8,800	4,000	16.2"-76.9"	30.4"-91.0"	58.3"	72"x 7"x 2.6"	3,573	1,624	15.4"	14.4"	13.2"	IV
<b>High Pressure Models (Truck Operating Pressures Over 2,760 psi)</b>												
100G-CFR-4A-0006	8,800	4,000	16.5"-70.9"	30.7"-85.0"	50.4"	48"x 7"x 2.6"	3,109	1,413	15.4"	10.9"	14.3"	IV
100G-CFR-4A-0011	8,800	4,000	16.5"-70.9"	30.7"-85.0"	50.4"	60"x 7"x 2.6"	3,230	1,468	15.4"	12.7"	13.6"	IV
100G-CFR-4A-0016	8,800	4,000	16.5"-70.9"	30.7"-85.0"	50.4"	72"x 7"x 2.6"	3,355	1,525	15.4"	14.8"	12.9"	IV
100G-CFR-4A-0021	8,800	4,000	16.2"-76.9"	30.4"-91.0"	58.3"	48"x 7"x 2.6"	3,280	1,491	15.4"	10.7"	14.4"	IV
100G-CFR-4A-0026	8,800	4,000	16.2"-76.9"	30.4"-91.0"	58.3"	60"x 7"x 2.6"	3,403	1,547	15.4"	12.4"	13.7"	IV
100G-CFR-4A-0031	8,800	4,000	16.2"-76.9"	30.4"-91.0"	58.3"	72"x 7"x 2.6"	3,527	1,603	15.4"	14.5"	13.1"	IV
<b>Low Pressure Models (Truck Operating Pressures Up To 2,760 psi)</b>												
120G-CFR-CA1A	11,000	5,000	14.8"-77.2"	30.5"-92.9"	58.3"	48"x 8"x 2.5"	4,250	1,932	16.2"	10.7"	15.8"	IV
120G-CFR-CA15	11,000	5,000	14.8"-77.2"	30.5"-92.9"	58.3"	60"x 8"x 2.5"	4,347	1,976	16.2"	12.4"	15.2"	IV
120G-CFR-CC2A	11,000	5,000	20.2"-90.2"	35.9"-105.9"	62.2"	48"x 8"x 2.5"	4,393	1,997	16.2"	10.7"	15.9"	IV
120G-CFR-CC25	11,000	5,000	20.2"-90.2"	35.9"-105.9"	62.2"	60"x 8"x 2.5"	4,510	2,050	16.2"	12.2"	15.3"	IV
120G-CFR-CD3A	11,000	5,000	24.3"-101"	40.1"-116.7"	64.2"	48"x 8"x 2.5"	4,488	2,040	16.2"	10.7"	15.9"	IV
120G-CFR-CD35	11,000	5,000	24.3"-101"	40.1"-116.7"	64.2"	60"x 8"x 2.5"	4,609	2,095	16.2"	12.2"	15.3"	IV
140G-CFR-CA1A	13,200	6,000	14.8"-77.2"	30.5"-92.9"	58.3"	48"x 8"x 2.5"	4,336	1,971	16.6"	11.0"	15.8"	IV
140G-CFR-CA15	13,200	6,000	14.8"-77.2"	30.5"-92.9"	58.3"	60"x 8"x 2.5"	4,473	2,033	16.6"	12.5"	15.2"	IV
140G-CFR-CC2A	13,200	6,000	20.2"-90.2"	35.9"-105.9"	62.2"	48"x 8"x 2.5"	4,492	2,042	16.6"	10.9"	15.9"	IV
140G-CFR-CC25	13,200	6,000	20.2"-90.2"	35.9"-105.9"	62.2"	60"x 8"x 2.5"	4,629	2,104	16.6"	12.4"	15.3"	IV
140G-CFR-CC3A	13,200	6,000	24.0"-92.8"	39.8"-108.6"	62.2"	48"x 8"x 2.5"	4,525	2,057	16.6"	10.9"	15.9"	IV
140G-CFR-CC35	13,200	6,000	24.0"-92.8"	39.8"-108.6"	62.2"	60"x 8"x 2.5"	4,662	2,119	16.6"	12.4"	15.3"	IV
140G-CFR-CV3A	13,200	6,000	24.0"-137.8"	39.8"-153.5"	99.6"	48"x 8"x 2.5"	7,150	3,250	16.6"	10.4"	16.3"	IV
140G-CFR-CV35	13,200	6,000	24.0"-137.8"	39.8"-153.5"	99.6"	60"x 8"x 2.5"	5,744	2,611	16.6"	11.6"	15.9"	IV

① Custom mounting available (Class 5, pin type, etc.)

▶ Valve configuration is RH Clamp, LH Sideshift (view from operator).  
Optional reverse valve configuration available.

② Published opening range represents nominal clamp dimensions only and may not accommodate loads with same or close to same dimension. Consult Cascade for further assistance.