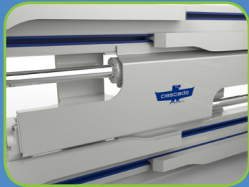
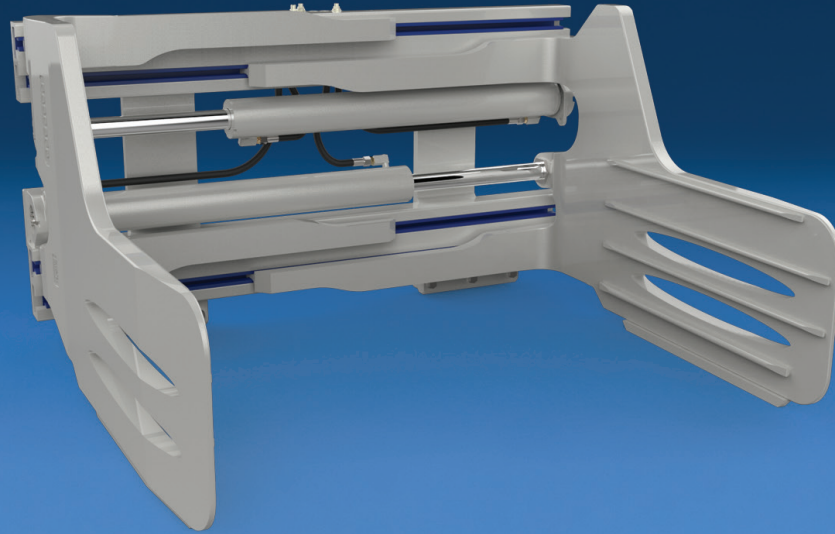
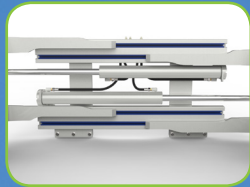


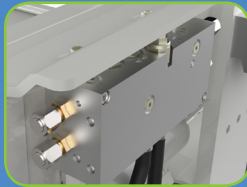
Extremely Durable Bale Clamp Minimizes Down Time, Provides Excellent Visibility



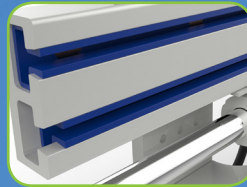
Optional cylinder bumper protects the hydraulic lines and cylinders from impact and debris



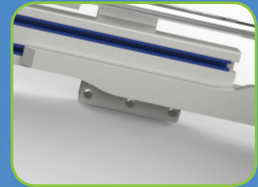
Industry leading visibility through frame and arms



Easy access valve with built in clamp protection and optional steel valve guard



Lube-free, full-width lip over UHMW bearings provide superior durability and service life



Hardened steel wear strips protects frame from damage

APPLICATIONS

Palletless handling of nearly any type of baled product such as cotton, wool, synthetic textile bales, corrugated, newsprint, rag, hay and metal scrap bales translates into savings in time and storage costs.

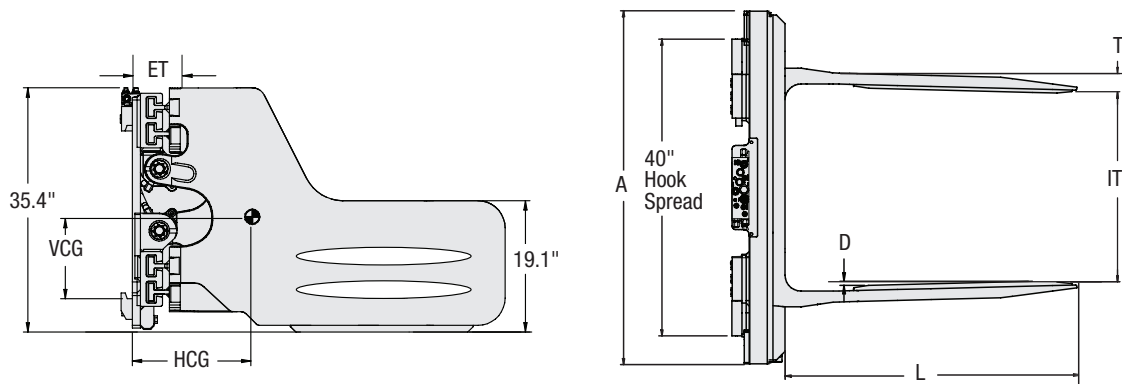
FEATURES

- Available for both high and low pressure hydraulic systems.
- Overclamp protection relief.
- Two-way backhand relief (sideshift and clamp open circuits).
- Top-mounted cartridges and test ports in valve for ease of service.
- Flow divider for equal arm movement.
- High-strength, hot extruded steel frame.
- Lube-free, full-width lip over UHMW bearings for long life.
- Thin arm profile for effective knifing between loads.
- Industry leading visibility.
- Smooth high speed performance.
- Smooth round bar rib arm facing for optimal load engagement.
- Maximized clamp force for secure load handling.
- Carriage centering key for precise and secure mounting.
- High-strength corner castings for maximum arm durability.
- Full-length, hardened arm wear plates provide maximum arm protection.
- Bolt-on, frame wear strips with front facing hardware provides maximum protection and easy replacement.

OPTIONS

- Custom arm facing options (rebar ribs, button head etc.).
- Custom arm lengths and heights.
- Custom frame widths.
- Custom opening ranges.
- Quick-Disconnect lower hooks.
- Class 3A or 3B mounting options.
- Steel hydraulic valve guard.
- Cylinder protection bumper.
- Clamp Open Guard.
- Consult Cascade for customized solutions to fit your application.

80G SIDESHIFTING PULP BALE CLAMP



Catalog Order No.	Capacity@ 24" (600 mm) Load Center		Overall Width A	Opening Range ITI	Arm Size LxT	Arm Toe-in D	Weight		Horizontal Ctr. of Gravity HCG	Vertical Ctr. of Gravity VCG	Effective Thickness ET	Mounting Class
	lbs	kg					lbs	kg				
Low Pressure Models (Truck Operating Pressures Up to 2,760 psi)												
80G-PBS-3A-0005	7,920	3,600	55"	19.3" - 82.3"	47.2" x 4.1"	1.6"	2,354	1,070	11.9"	11.7"	7.0"	III
80G-PBS-3A-0010	7,920	3,600	55"	18.9" - 81.9"	55.1" x 4.3"	2.2"	2,574	1,170	14.4"	11.4"	7.0"	III
80G-PBS-3A-0015	7,920	3,600	55"	18.5" - 81.5"	63.0" x 4.5"	2.8"	2,739	1,245	16.9"	11.2"	7.0"	III
80G-PBS-3A-0020	7,920	3,600	59"	25.1" - 93.5"	47.2" x 4.1"	1.6"	2,453	1,115	11.5"	11.7"	7.0"	III
80G-PBS-3A-0025	7,920	3,600	59"	24.7" - 93.1"	55.1" x 4.3"	2.2"	2,669	1,213	14.0"	11.5"	7.0"	III
80G-PBS-3A-0030	7,920	3,600	59"	24.3" - 92.7"	63.0" x 4.5"	2.8"	2,834	1,288	16.4"	11.3"	7.0"	III
80G-PBS-3A-0035	7,920	3,600	67"	22.0" - 99.6"	47.2" x 4.1"	1.6"	2,548	1,158	11.3"	11.8"	7.0"	III
80G-PBS-3A-0040	7,920	3,600	67"	21.6" - 99.2"	55.1" x 4.3"	2.2"	2,768	1,258	13.7"	11.6"	7.0"	III
80G-PBS-3A-0045	7,920	3,600	67"	21.2" - 98.8"	63.0" x 4.5"	2.8"	2,933	1,333	16.0"	11.4"	7.0"	III
80G-PBS-4A-0005	7,920	3,600	55"	19.3" - 82.3"	47.2" x 4.1"	1.6"	2,354	1,070	11.9"	11.7"	7.0"	IV
80G-PBS-4A-0010	7,920	3,600	55"	18.9" - 81.9"	55.1" x 4.3"	2.2"	2,574	1,170	14.4"	11.4"	7.0"	IV
80G-PBS-4A-0015	7,920	3,600	55"	18.5" - 81.5"	63.0" x 4.5"	2.8"	2,739	1,245	16.9"	11.2"	7.0"	IV
80G-PBS-4A-0020	7,920	3,600	59"	25.1" - 93.5"	47.2" x 4.1"	1.6"	2,453	1,115	11.5"	11.7"	7.0"	IV
80G-PBS-4A-0025	7,920	3,600	59"	24.7" - 93.1"	55.1" x 4.3"	2.2"	2,669	1,213	14.0"	11.5"	7.0"	IV
80G-PBS-4A-0030	7,920	3,600	59"	24.3" - 92.7"	63.0" x 4.5"	2.8"	2,834	1,288	16.4"	11.3"	7.0"	IV
80G-PBS-4A-0035	7,920	3,600	67"	22.0" - 99.6"	47.2" x 4.1"	1.6"	2,548	1,158	11.3"	11.8"	7.0"	IV
80G-PBS-4A-0040	7,920	3,600	67"	21.6" - 99.2"	55.1" x 4.3"	2.2"	2,768	1,258	13.7"	11.6"	7.0"	IV
80G-PBS-4A-0045	7,920	3,600	67"	21.2" - 98.8"	63.0" x 4.5"	2.8"	2,933	1,333	16.0"	11.4"	7.0"	IV
High Pressure Models (Truck Operating Pressures Over 2,760 psi)												
80G-PBS-3A-0006	7,920	3,600	55"	19.3" - 82.3"	47.2" x 4.1"	1.6"	2,306	1,048	12.0"	11.6"	7.0"	III
80G-PBS-3A-0011	7,920	3,600	55"	18.9" - 81.9"	55.1" x 4.3"	2.2"	2,526	1,148	14.5"	11.4"	7.0"	III
80G-PBS-3A-0016	7,920	3,600	55"	18.5" - 81.5"	63.0" x 4.5"	2.8"	2,693	1,224	17.0"	11.2"	7.0"	III
80G-PBS-3A-0021	7,920	3,600	59"	25.1" - 93.5"	47.2" x 4.1"	1.6"	2,402	1,092	11.6"	11.7"	7.0"	III
80G-PBS-3A-0026	7,920	3,600	59"	24.7" - 93.1"	55.1" x 4.3"	2.2"	2,618	1,190	14.1"	11.5"	7.0"	III
80G-PBS-3A-0031	7,920	3,600	59"	24.3" - 92.7"	63.0" x 4.5"	2.8"	2,783	1,265	16.5"	11.3"	7.0"	III
80G-PBS-3A-0036	7,920	3,600	67"	22.0" - 99.6"	47.2" x 4.1"	1.6"	2,493	1,133	11.4"	11.8"	7.0"	III
80G-PBS-3A-0041	7,920	3,600	67"	21.6" - 99.2"	55.1" x 4.3"	2.2"	2,713	1,233	13.8"	11.6"	7.0"	III
80G-PBS-3A-0046	7,920	3,600	67"	21.2" - 98.8"	63.0" x 4.5"	2.8"	2,878	1,308	16.1"	11.4"	7.0"	III
80G-PBS-4A-0006	7,920	3,600	55"	19.3" - 82.3"	47.2" x 4.1"	1.6"	2,306	1,048	12.0"	11.6"	7.0"	IV
80G-PBS-4A-0011	7,920	3,600	55"	18.9" - 81.9"	55.1" x 4.3"	2.2"	2,526	1,148	14.5"	11.4"	7.0"	IV
80G-PBS-4A-0016	7,920	3,600	55"	18.5" - 81.5"	63.0" x 4.5"	2.8"	2,693	1,224	17.0"	11.2"	7.0"	IV
80G-PBS-4A-0021	7,920	3,600	59"	25.1" - 93.5"	47.2" x 4.1"	1.6"	2,402	1,092	11.6"	11.7"	7.0"	IV
80G-PBS-4A-0026	7,920	3,600	59"	24.7" - 93.1"	55.1" x 4.3"	2.2"	2,618	1,190	14.1"	11.5"	7.0"	IV
80G-PBS-4A-0031	7,920	3,600	59"	24.3" - 92.7"	63.0" x 4.5"	2.8"	2,783	1,265	16.5"	11.3"	7.0"	IV
80G-PBS-4A-0036	7,920	3,600	67"	22.0" - 99.6"	47.2" x 4.1"	1.6"	2,493	1,133	11.4"	11.8"	7.0"	IV
80G-PBS-4A-0041	7,920	3,600	67"	21.6" - 99.2"	55.1" x 4.3"	2.2"	2,713	1,233	13.8"	11.6"	7.0"	IV
80G-PBS-4A-0046	7,920	3,600	67"	21.2" - 98.8"	63.0" x 4.5"	2.8"	2,878	1,308	16.1"	11.4"	7.0"	IV

① Published opening range represents nominal clamp dimensions only and may not accommodate loads with same or close to same dimension. Consult Cascade for further assistance.

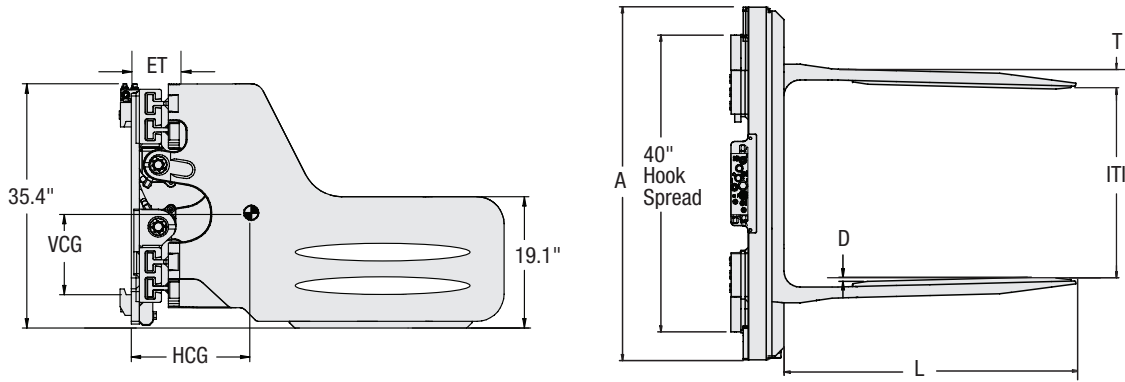
▶ Standard arm facing is smooth round bar which reduces potential for tearing the bale wrapper.

▶ Button facing is a custom option which minimizes the potential for damaging the wire wrapped around the unitized load.

▶ Custom higher friction rebar arm facing is available upon request.

▶ Valve configuration is RH Clamp, LH Sideshift (view from operator). Optional reverse valve configuration available.

100G SIDESHIFTING PULP BALE CLAMP



Catalog Order No.	Capacity@ 24" (600 mm) Load Center		Overall Width A	Opening ① Range ITI	Arm Size LxT	Arm Toe-in D	Weight		Horizontal Ctr. of Gravity HCG	Vertical Ctr. of Gravity VCG	Effective Thickness ET	Mounting Class
	lbs	kg					lbs	kg				
Low Pressure Models (Truck Operating Pressures Up To 2,760 psi)												
100G-PBS-4A-0005	8,800	4,000	55"	19.3" - 82.3"	47.2" x 4.1"	1.8"	2,372	1,078	11.9"	11.7"	7.0"	IV
100G-PBS-4A-0010	8,800	4,000	55"	18.9" - 81.9"	55.1" x 4.3"	2.4"	2,598	1,181	14.4"	11.5"	7.0"	IV
100G-PBS-4A-0015	8,800	4,000	55"	18.1" - 81.1"	63.0" x 4.7"	3.0"	2,772	1,260	16.8"	11.3"	7.0"	IV
100G-PBS-4A-0020	8,800	4,000	59"	25.1" - 93.5"	47.2" x 4.1"	1.8"	2,473	1,124	11.5"	11.8"	7.0"	IV
100G-PBS-4A-0025	8,800	4,000	59"	24.7" - 93.1"	55.1" x 4.3"	2.4"	2,699	1,227	14.1"	11.6"	7.0"	IV
100G-PBS-4A-0030	8,800	4,000	59"	23.9" - 92.3"	63.0" x 4.7"	3.0"	2,871	1,305	16.4"	11.4"	7.0"	IV
100G-PBS-4A-0035	8,800	4,000	67"	22.0" - 99.6"	47.2" x 4.1"	1.8"	2,570	1,168	11.2"	11.9"	7.0"	IV
100G-PBS-4A-0040	8,800	4,000	67"	21.6" - 99.2"	55.1" x 4.3"	2.4"	2,796	1,271	13.7"	11.7"	7.0"	IV
100G-PBS-4A-0045	8,800	4,000	67"	20.8" - 98.4"	63.0" x 4.7"	3.0"	2,968	1,349	16.0"	11.5"	7.0"	IV
High Pressure Models (Truck Operating Pressures Over 2,760 psi)												
100G-PBS-4A-0006	8,800	4,000	55"	19.3" - 82.3"	47.2" x 4.1"	1.8"	2,365	1,075	11.9"	11.7"	7.0"	IV
100G-PBS-4A-0011	8,800	4,000	55"	18.9" - 81.9"	55.1" x 4.3"	2.4"	2,594	1,179	14.4"	11.5"	7.0"	IV
100G-PBS-4A-0016	8,800	4,000	55"	18.1" - 81.1"	63.0" x 4.7"	3.0"	2,765	1,257	16.8"	11.3"	7.0"	IV
100G-PBS-4A-0021	8,800	4,000	59"	25.1" - 93.5"	47.2" x 4.1"	1.8"	2,471	1,123	11.5"	11.8"	7.0"	IV
100G-PBS-4A-0026	8,800	4,000	59"	24.7" - 93.1"	55.1" x 4.3"	2.4"	2,693	1,224	14.1"	11.6"	7.0"	IV
100G-PBS-4A-0031	8,800	4,000	59"	23.9" - 92.3"	63.0" x 4.7"	3.0"	2,864	1,302	16.4"	11.4"	7.0"	IV
100G-PBS-4A-0036	8,800	4,000	67"	22.0" - 99.6"	47.2" x 4.1"	1.8"	2,561	1,164	11.2"	11.9"	7.0"	IV
100G-PBS-4A-0041	8,800	4,000	67"	21.6" - 99.2"	55.1" x 4.3"	2.4"	2,790	1,268	13.7"	11.7"	7.0"	IV
100G-PBS-4A-0046	8,800	4,000	67"	20.8" - 98.4"	63.0" x 4.7"	3.0"	2,961	1,346	16.0"	11.5"	7.0"	IV

① Published opening range represents nominal clamp dimensions only and may not accommodate loads with same or close to same dimension. Consult Cascade for further assistance.

- ▶ Standard arm facing is smooth round bar which reduces potential for tearing the bale wrapper.
- ▶ Button facing is a custom option which minimizes the potential for damaging the wire wrapped around the unitized load.

▶ Custom higher friction rebar arm facing is available upon request.

▶ Valve configuration is RH Clamp, LH Sideshift (view from operator). Optional reverse valve configuration available.

80G/100 SIDESHIFTING PULP BALE CLAMPS

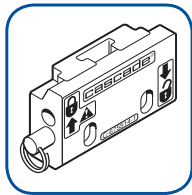
HYDRAULIC FUNCTIONS

Model	Hydraulic Functions	Truck Auxiliary Valves Required
80G PBS	2	2
100G PBS	2	2
For Optional Non-Sideshifting Units	1	1

HYDRAULIC FLOW & PRESSURE

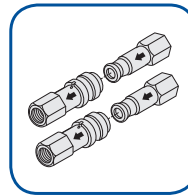
Model	Recommended Attachment Operating Pressure (psi)	Maximum Delivered Truck Pressure (psi)	Flow Min-Rec-Max (gpm)
80G Low Pressure	2250	2760	10-15-20
80G High Pressure	2760	3630	10-15-20
100G Low Pressure	2250	2760	10-15-20
100G High Pressure	2760	3630	10-15-20

OPTIONS & ACCESSORIES



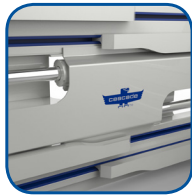
Quick-Disconnect Mounting Hooks

Quick-Disconnect Mounting Hooks increases versatility by allowing the attachments to be quickly exchanged.



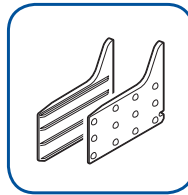
Quick-Disconnect Hydraulic Couplers

A no-tools way to disconnect the hydraulic hoses between truck and attachment.



Cylinder Protection Bumper

High strength steel bumper protects hydraulic lines and cylinders from impact and debris.



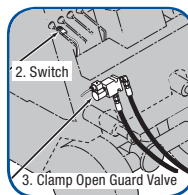
Custom Arm Facings

Custom arm facing available for special applications: Button head facing is an option which minimizes the potential for damaging the wire wrapped around the unitized load. Rebar used when higher friction is required.



Steel Hydraulic Valve Guard

Used to protect hydraulic valve from falling debris.



Clamp Open Guard

The Clamp Open Guard system makes it a requirement for the operator to depress a button before opening clamp arms.

Contact Cascade for customized solutions to fit your application.