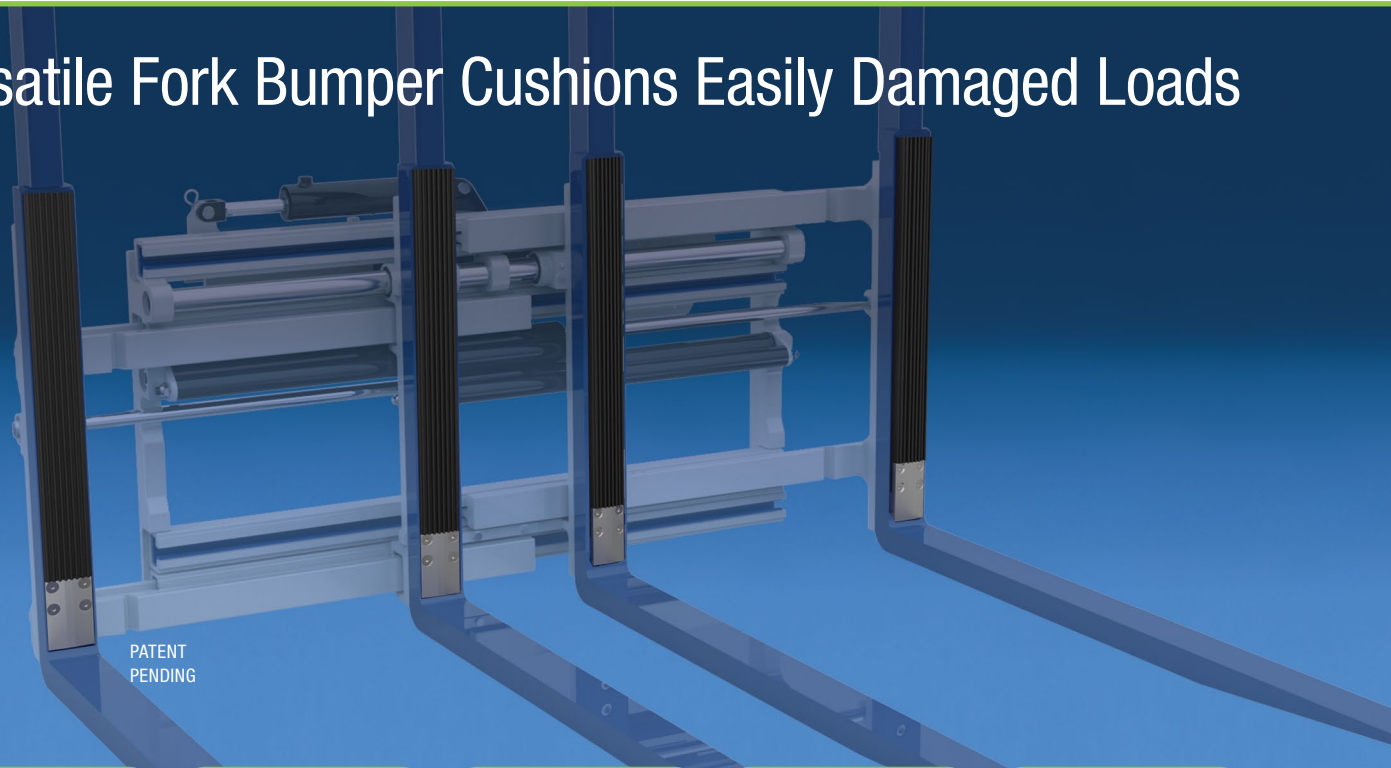


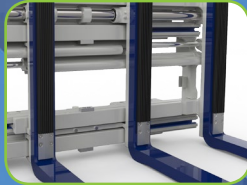
Versatile Fork Bumper Cushions Easily Damaged Loads



PATENT
PENDING



Easy to install or remove in seconds, sticks securely to shanks



Reinforced bottom edges to protect pallets and extend bumper life



Black rubber upper layer, a metal inner core and a magnetic bottom layer



Rib design provides additional load cushioning



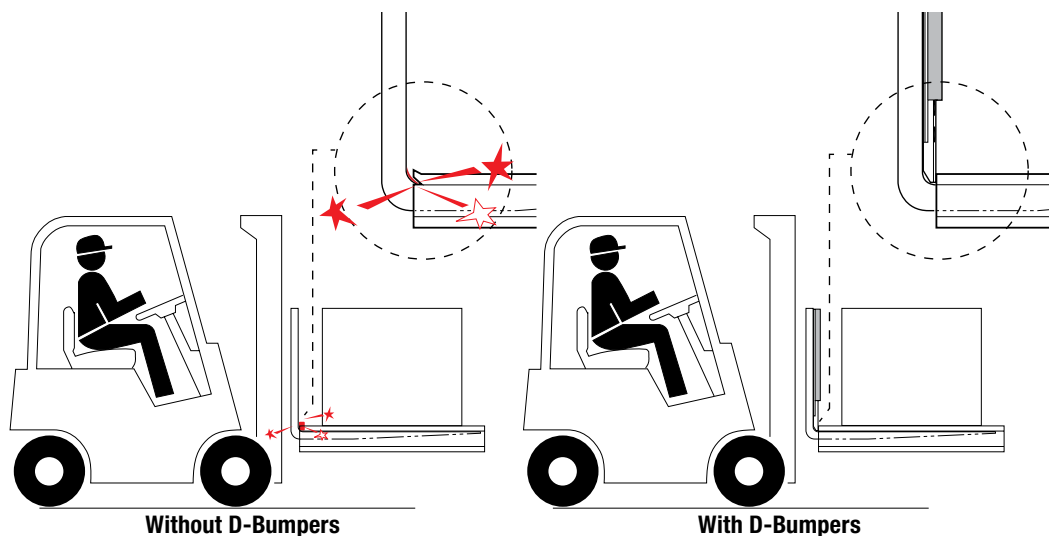
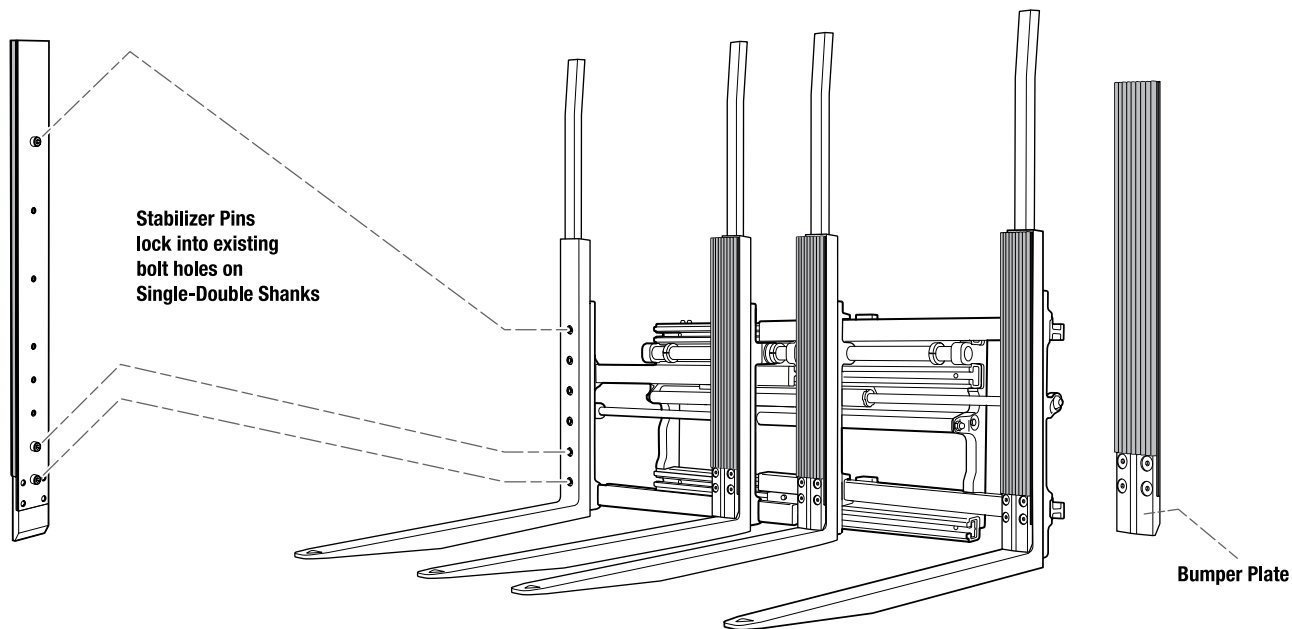
Stabilizer pins anchor the bumpers laterally and vertically

APPLICATIONS

Cascade Multiple Load Handler Magnetic D-Bumpers are ideal for handling a wide variety of loads. D-Bumpers protect surfaces subject to scratching or wear, including powder-coated metal surfaces, anodized aluminum, glass or wood products. Built in pallet protectors at the bottom of the bumpers form a stop block which prevents pallet damage caused by the radius of the fork. D-Bumpers are designed for use in any industrial sector to help prevent damage to products or pallets caused from contact with bare forks.

FEATURES

- Easy to install or remove in seconds without any tools.
- Sticks securely to multiple load handler fork shanks.
- Stabilizer pins align with existing fork bolts for increased hold.
- 30-35 durometer (shore A) black rubber outer layer, a metal inner core and a bottom magnetic layer.
- Resistant to abrasions, atmospheric agents and oil.
- Rib design provides additional load cushioning.
- Lightweight – limited effect to truck's net capacity.
- Improves noise reduction.
- The magnetic field generated by the D-Bumpers does not interfere with electronic instruments.
- Temperature range from -22°F to 284°F.



Catalog Order No.	For Use On Model	Fork Thickness ^① (in)	D-Bumper Size WxTxL (in)	Thickness of Rubber (in)	Weight (per set)	
					lbs	kg
Single-Double (4 pcs) includes required mounting hardware						
6556151	22G-FDS	1.6"	2.3" x .8" x 28.0"	0.6"	15.4	7
6556152	25G-FDS	1.8"	2.3" x .8" x 27.8"	0.6"	15.4	7
6556154	32G-FDS	2.0"	2.3" x .8" x 27.2"	0.6"	15.4	7

^① Verify MLH Model and fork thickness.

▶ Consult Cascade for D-Bumpers on 25G-FTS and 30G-FTS models.