



L-Series Fork Positioners



**Rugged and reliable.
Time after time.**



Construction Industry



Metal Industry



Automotive Industry



Manufacturing Industry



Concrete Industry

Designed for harsh environments and rigorous applications, the L-Series Fork Positioner is designed to accomplish even the most challenging tasks with ease. Great for applications that require longer forks or handling loads with extended load centers.

Available in Class II, III or IV with capacity ranges from 5,500 to 15,400 lbs, this versatile Fork Positioner is a workhorse built to handle your toughest challenges.

Quiet

With no metal on metal moving parts, the L-Series Fork Positioner is quiet during sideshifting and fork positioning. It doesn't just sound better, there's also no metal shavings, which eliminates problems due to contamination and corrosion.

Reliable

The L-Series Fork Positioner comes standard with bronze lower sideshift hooks for added longevity. The bearings have been field tested and proven to be incredibly durable and long lasting. The fork carriers riding on these bearings eliminate potential wear on load bearing components.

Durable

- Independent Fork Control for the ultimate in fork manipulation.
- Radio Frequency & Sequence Valve Hydraulic Controls to make installation and operation quick and simple.
- Anti-Drift Hydraulics to eliminate any unwanted movement and ensure the forks are exactly where you want them.
- Custom Load Backrests can be made to meet the configuration your application requires.

Your material handling advantage for demanding applications.

SECURE

Bolt-on full-width load backrest.

CONTROL

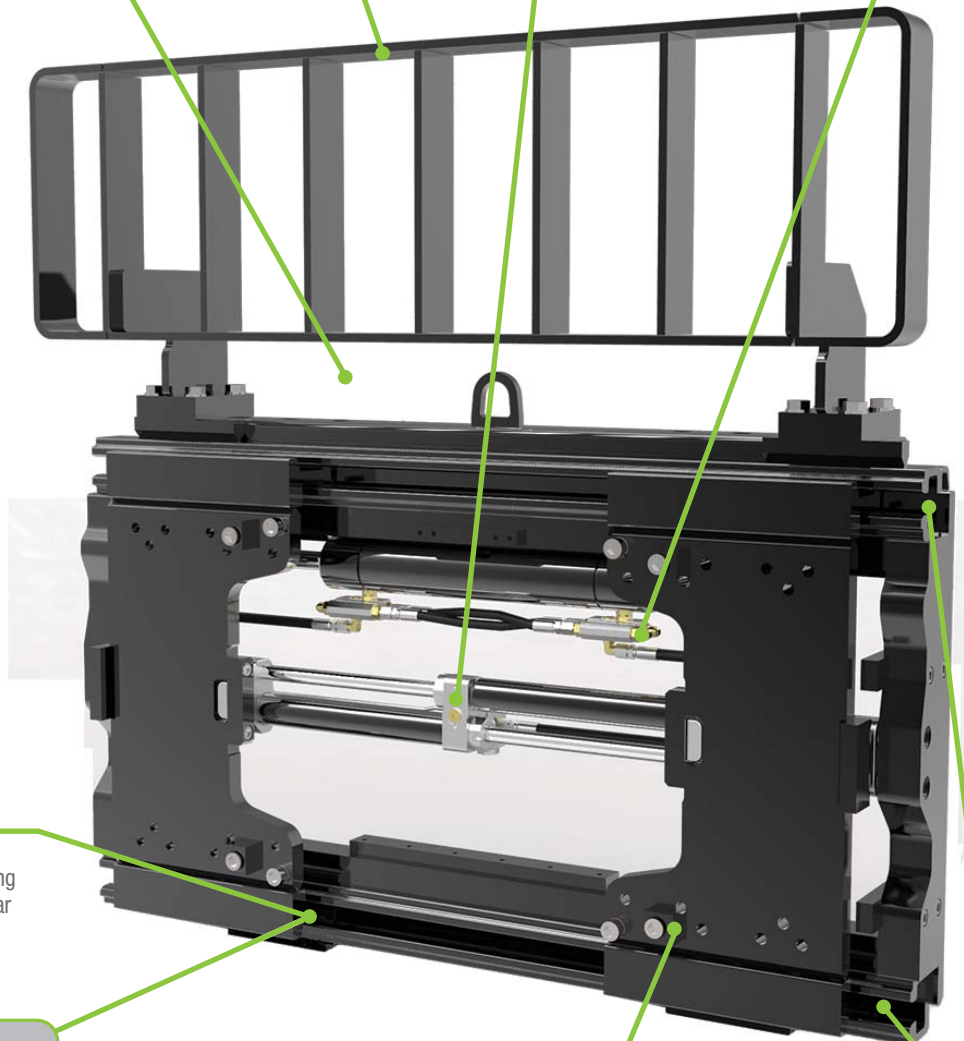
Standard flow divider circuit for equal fork movement.

CONNECT

Several termination options to make installation quick and easy.

SEE

Excellent operator visibility through and over the top of the frame.



ENDURE

Long lasting replaceable bearing segments ensuring smooth travel and no wear on the fork hooks.



ADAPT

Adaptable fork carriers accommodate various fork widths and can be adjusted so the forks are full out or full in.

EXTEND

Unique design and construction allows fork carriers to extend beyond the frame width.

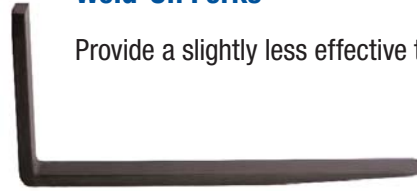
Out-Performs

Fork Options for L-Series Fork Positioners...



Bolt-On Forks

Reduce noise and fork alignment issues.



Weld-On Forks

Provide a slightly less effective thickness.



Offset Forks

Zero close for handling inside rolls or coils



Telescopic Forks

Load and unload trains and trucks from one side.

Durability Comes Standard.

L-Series Fork Positioners now come standard with Bronze Lower Sideshift Hooks that increase durability and improve functionality, especially in the following situations:

- Gritty and abrasive environments
- Cold storage applications and cold weather conditions
- Extended load centers
- Long light loads
- Scooping loads - full forward tilt
- Any application where accelerated wear is experienced with standard composite bearings

Cascade Corporation • PO Box 20187 • Portland, OR 97294-0187 • USA • 800 CASCADE (227.2233) • Tel 503.669.6257 • Fax 800.693.3768 • Fax 503.669.6367
Cascade Canada Ltd. • 5570 Timberlea Blvd. • Mississauga, Ontario L4W 4M6 • Canada • 800.380.2272 • Tel 905.629.7777 • Fax 905.629.7785

cascade
corporation

www.cascorp.com

Cascade is a registered trademark of Cascade Corporation.
© Cascade Corporation 2014. All rights reserved.

Form 6845991 US 10/14