

Fork Positioners For Wide Loads and Difficult Material Handling Requirements.

APPLICATIONS

The D and G-Series Fork Positioners are recommended for applications requiring a wide opening range to handle the load. Unlike conventional fork positioners, the D and G-Series Fork Positioners extend the forks beyond the frame width.

FEATURES

- Excellent visibility over the top
- Rugged, lightweight construction
- Fast arm opening speeds
- High net capacity
- Hydraulic Component Guard (optional on G-Series)

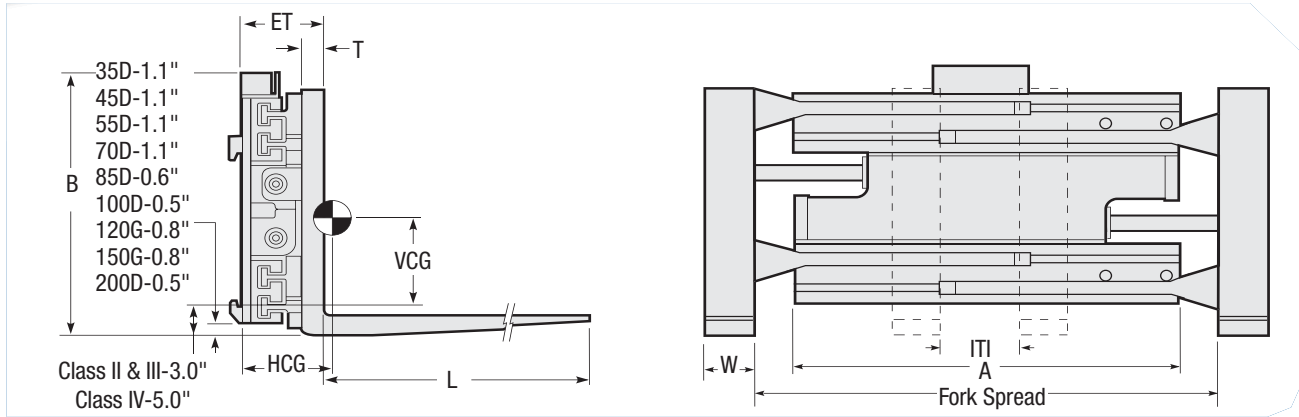
OPTIONS

- Non-sideshifting models available
- Quick-Change lower hooks
- Various load backrests
- Flow divider valve (standard on G-Series)
- Custom frame widths and opening ranges

A wide opening Fork Positioner adds versatility to your lift truck.



D & G-SERIES FORK POSITIONERS



Sideshifting

Catalog Order No.	Capacity @ 24" (600 mm) Load Center		Fork Size LxWxT	Opening Range ITI	Mtg. Class	Min. Truck Carriage Width	Weight		Effective Thickness ET	Horizontal Ctr. of Gravity HCG	Vertical Ctr. of Gravity VCG	Frame Width		Overall Height
	lbs	kg					lbs	kg				A	B	
35D-FPS-01A	3,500	1,590	36" x 4" x 1.50"	17.1"-61.3"	II	30.5"	550	250	6.9"	6.4"	6.8"	34"	24.5"	
35D-FPS-02A	3,500	1,590	42" x 4" x 1.50"	17.1"-61.3"	II	30.5"	570	259	6.9"	7.5"	6.4"	34"	24.5"	
35D-FPS-03A	3,500	1,590	48" x 4" x 1.50"	17.1"-61.3"	II	30.5"	590	268	6.9"	8.9"	5.9"	34"	24.5"	
45D-FPS-01A	4,500	2,045	36" x 5" x 1.50"	16.1"-65.3"	II	35.0"	650	295	7.1"	6.6"	7.2"	37"	25.3"	
45D-FPS-02A	4,500	2,045	42" x 5" x 1.50"	16.1"-65.3"	II	35.0"	675	307	7.1"	7.8"	6.9"	37"	25.3"	
45D-FPS-03A	4,500	2,045	48" x 5" x 1.50"	16.1"-65.3"	II	35.0"	700	318	7.1"	9.1"	6.6"	37"	25.3"	
55D-FPS-01A	5,500	2,495	36" x 5" x 2.00"	18.3"-71.3"	II	36.0"	885	402	8.2"	6.8"	8.4"	40"	28.0"	
55D-FPS-02A	5,500	2,495	42" x 5" x 2.00"	18.3"-71.3"	II	36.0"	925	420	8.2"	8.0"	7.7"	40"	28.0"	
55D-FPS-03A	5,500	2,495	48" x 5" x 2.00"	18.3"-71.3"	II	36.0"	960	436	8.2"	8.9"	7.4"	40"	28.0"	
70D-FPS-01B	7,000	3,180	36" x 5" x 2.00"	18.3"-71.3"	III	38.5"	930	422	8.5"	6.6"	8.2"	40"	28.0"	
70D-FPS-02B	7,000	3,180	42" x 5" x 2.00"	18.3"-71.3"	III	38.5"	965	438	8.5"	7.9"	7.8"	40"	28.0"	
70D-FPS-03B	7,000	3,180	48" x 5" x 2.00"	18.3"-71.3"	III	38.5"	1,000	454	8.5"	8.7"	7.5"	40"	28.0"	
85D-FPS-01B	8,500	3,860	42" x 6" x 2.00"	16.6"-77.0"	III	40.0"	1,520	690	9.6"	8.3"	14.1"	48"	32.2"	
85D-FPS-02B	8,500	3,860	48" x 6" x 2.00"	16.6"-77.0"	III	40.0"	1,560	708	9.6"	9.2"	13.9"	48"	32.2"	
85D-FPS-03B	8,500	3,860	54" x 6" x 2.00"	16.6"-77.0"	III	40.0"	1,600	726	9.6"	10.1"	13.7"	48"	32.2"	
85D-FPS-04B	8,500	3,860	60" x 6" x 2.00"	16.6"-77.0"	III	40.0"	1,640	745	9.6"	11.0"	13.5"	48"	32.2"	
100D-FPS-01B	10,000	4,540	42" x 6" x 2.25"	16.6"-77.0"	III	40.0"	1,570	713	9.9"	8.3"	14.1"	48"	32.2"	
100D-FPS-02B	10,000	4,540	48" x 6" x 2.25"	16.6"-77.0"	III	40.0"	1,610	731	9.9"	9.2"	13.9"	48"	32.2"	
100D-FPS-03B	10,000	4,540	54" x 6" x 2.25"	16.6"-77.0"	III	40.0"	1,660	754	9.9"	10.1"	13.7"	48"	32.2"	
100D-FPS-04B	10,000	4,540	60" x 6" x 2.25"	16.6"-77.0"	III	40.0"	1,700	772	9.9"	11.0"	13.5"	48"	32.2"	
100D-FPS-01C	10,000	4,540	42" x 6" x 2.25"	16.6"-77.0"	IV	40.0"	1,570	713	9.9"	8.3"	12.1"	48"	32.2"	
100D-FPS-02C	10,000	4,540	48" x 6" x 2.25"	16.6"-77.0"	IV	40.0"	1,610	731	9.9"	9.2"	11.9"	48"	32.2"	
100D-FPS-03C	10,000	4,540	54" x 6" x 2.25"	16.6"-77.0"	IV	40.0"	1,660	754	9.9"	10.1"	13.7"	48"	32.2"	
100D-FPS-04C	10,000	4,540	60" x 6" x 2.25"	16.6"-77.0"	IV	40.0"	1,700	772	9.9"	11.0"	11.5"	48"	32.2"	
120G-FPS-C01A	13,000	6,000	48" x 6" x 2.25"	16.5"-76.8"	IV	38.6"	2,264	1,029	10.6"	8.0"	11.4"	55.1"	35.5"	
120G-FPS-CB25	13,000	6,000	60" x 6" x 2.25"	10.8"-70.9"	IV	38.6"	2,369	1,077	10.6"	9.8"	10.8"	59.1"	35.5"	
150G-FPS-CL1A	15,000	7,000	48" x 7" x 2.50"	22.4"-116.1"	IV	42.5"	2,939	1,336	11.0"	8.1"	11.5"	78.7"	35.6"	
150G-FPS-CL15	15,000	7,000	60" x 7" x 2.50"	22.4"-116.1"	IV	42.5"	3,062	1,392	11.0"	10.0"	10.9"	78.7"	35.6"	
200D-FPS-01N①	20,000	9,080	48" x 8" x 2.50"	20.7"-103.4"	Bolt-On				Consult Cascade					
200D-FPS-02N①	20,000	9,080	60" x 8" x 2.50"	20.7"-103.4"	Bolt-On				Consult Cascade					

① 200D Fork Positioners are built to order.

▶ **DO NOT USE TO CLAMP LOADS.**

▶ For lateral CG at maximum sideshift, consult Cascade.