



A Versatile and Efficient Solution to Handling Paper Rolls

APPLICATIONS

Designed for mills, warehouses, printers, newspaper publishers and converters with demanding operations handling kraft, newsprint and coated paper stocks.

FEATURES

Reduced Roll Damage

- Proven contact pad shape and surface holds rolls securely
- Thin-arm profile and smooth-arm contour eases roll breakout and permits close stacking
- Positioned Short Arm models maintain thin-arm profile over a wide range of roll diameters

Faster Roll Handling

- Excellent visibility through and around clamp
- Continuous 360° rotation

Excellent Durability

- Unitized construction in the arm and frame provide structural integrity and deliver outstanding durability
- Proven strong rotator drive train
- Pivot bushings are lube-free and provide superior service life

MODELS

Fixed Frame/Fixed Short Arm

- Good arm profile when handling rolls near maximum diameter

Fixed Frame/Positioned Short Arm

- Good long-arm profile over a wide range of roll diameters

Split Arm

- The two long arm sections move independently, allowing you to handle two different size rolls simultaneously

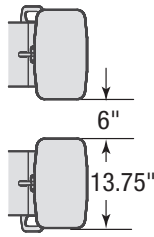


Shown with optional rubber pads.

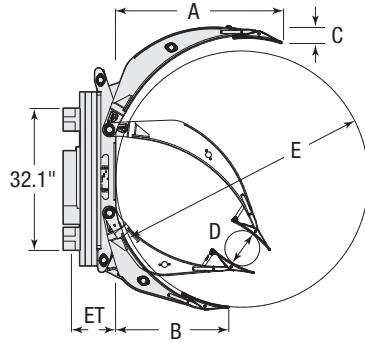
A high-production roll clamp for kraft, newsprint and coated papers.

22H PAPER ROLL CLAMP

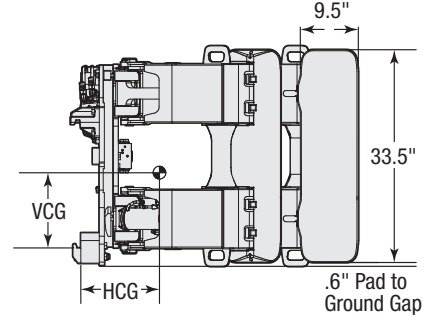
Split Arm



Fixed Frame



Solid Arm



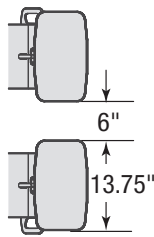
360° Rotation

Catalog Order No.	Capacity for Diameter		Roll Range	Mounting Class	Mounting Angle ①	Weight		Effective Thickness	Horizontal Center of Gravity	Vertical Center of Gravity	Long Arm Length	Short Arm Length	Long Arm Thickness
	lbs @ in.	kg @ mm				lbs	kg						
Fixed Frame/Fixed Short Arm/ Solid Long Arm													
22H-RCF-A001	4,850@45"	2,200@1,150	13"-45"	II	0°	1,217	553	7.6"	10.0"	14.3"	32.0"	20.3"	1.4"
22H-RCF-A003	4,850@51"	2,200@1,300	18"-51"	II	0°	1,268	576	7.6"	10.4"	14.3"	35.3"	23.0"	1.4"
22H-RCF-A005	4,500@55"	2,050@1,400	18"-55"	II	0°	1,302	592	7.6"	10.9"	14.3"	37.5"	24.5"	1.4"
22H-RCF-A007	4,100@60"	1,850@1,525	20"-60"	II	0°	1,346	612	7.6"	11.6"	14.3"	39.9"	27.0"	1.4"
22H-RCF-B001	4,850@45"	2,200@1,150	13"-45"	III	0°	1,239	563	8.8"	10.9"	14.2"	32.0"	20.3"	1.4"
22H-RCF-B003	4,850@51"	2,200@1,300	18"-51"	III	0°	1,291	587	8.8"	11.4"	14.2"	35.3"	23.0"	1.4"
22H-RCF-B005	4,500@55"	2,050@1,400	18"-55"	III	0°	1,324	602	8.8"	11.9"	14.2"	37.5"	24.5"	1.4"
22H-RCF-B007	4,100@60"	1,850@1,525	20"-60"	III	0°	1,368	622	8.8"	12.5"	14.2"	39.9"	27.0"	1.4"
Fixed Frame/Fixed Short Arm/Split Long Arm													
22H-RDF-A001	4,850@45"	2,200@1,150	13"-45"	II	0°	1,202	546	7.6"	9.7"	14.3"	32.0"	20.3"	1.4"
22H-RDF-A003	4,850@51"	2,200@1,300	18"-51"	II	0°	1,254	570	7.6"	10.0"	14.3"	35.3"	23.0"	1.4"
22H-RDF-A005	4,500@55"	2,050@1,400	18"-55"	II	0°	1,287	585	7.6"	10.5"	14.3"	37.5"	24.5"	1.4"
22H-RDF-A007	4,100@60"	1,850@1,525	20"-60"	II	0°	1,331	605	7.6"	11.2"	14.3"	39.9"	27.0"	1.4"
22H-RDF-B001	4,850@45"	2,200@1,150	13"-45"	III	0°	1,225	557	8.8"	10.6"	14.2"	32.0"	20.3"	1.4"
22H-RDF-B003	4,850@51"	2,200@1,300	18"-51"	III	0°	1,276	580	8.8"	11.0"	14.2"	35.3"	23.0"	1.4"
22H-RDF-B005	4,500@55"	2,050@1,400	18"-55"	III	0°	1,309	595	8.8"	11.5"	14.2"	37.5"	24.5"	1.4"
22H-RDF-B007	4,100@60"	1,850@1,525	20"-60"	III	0°	1,353	615	8.8"	12.2"	14.2"	39.9"	27.0"	1.4"
Fixed Frame/Positioned Short Arm/Solid Long Arm													
22H-RCP-A001	4,850@45"	2,200@1,150	8"-45"	II	0°	1,228	558	7.6"	9.9"	14.3"	32.0"	20.3"	1.4"
22H-RCP-A003	4,850@51"	2,200@1,300	8"-51"	II	0°	1,280	582	7.6"	10.3"	14.3"	35.3"	23.0"	1.4"
22H-RCP-A005	4,500@55"	2,050@1,400	8"-55"	II	0°	1,312	596	7.6"	10.9"	14.3"	37.5"	24.5"	1.4"
22H-RCP-A007	4,100@60"	1,850@1,525	8"-60"	II	0°	1,356	616	7.6"	11.5"	14.3"	39.9"	27.0"	1.4"
22H-RCP-B001	4,850@45"	2,200@1,150	8"-45"	III	0°	1,251	569	8.8"	10.9"	14.2"	32.0"	20.3"	1.4"
22H-RCP-B003	4,850@51"	2,200@1,300	8"-51"	III	0°	1,302	592	8.8"	11.3"	14.2"	35.3"	23.0"	1.4"
22H-RCP-B005	4,500@55"	2,050@1,400	8"-55"	III	0°	1,334	607	8.8"	11.8"	14.2"	37.5"	24.5"	1.4"
22H-RCP-B007	4,100@60"	1,850@1,525	8"-60"	III	0°	1,378	627	8.8"	12.5"	14.2"	39.9"	27.0"	1.4"
Fixed Frame/Positioned Short Arm/Split Long Arm													
22H-RDP-A001	4,850@45"	2,200@1150	8"-45"	II	0°	1,214	552	7.6"	9.6"	14.3"	32.0"	20.3"	1.4"
22H-RDP-A003	4,850@51"	2,200@1300	8"-51"	II	0°	1,265	575	7.6"	10.0"	14.3"	35.3"	23.0"	1.4"
22H-RDP-A005	4,500@55"	2,050@1400	8"-55"	II	0°	1,297	590	7.6"	10.5"	14.3"	37.5"	24.5"	1.4"
22H-RDP-A007	4,100@60"	1,850@1525	8"-60"	II	0°	1,341	610	7.6"	11.1"	14.3"	39.9"	27.0"	1.4"
22H-RDP-B001	4,850@45"	2,200@1150	8"-45"	III	0°	1,236	562	8.8"	10.6"	14.2"	32.0"	20.3"	1.4"
22H-RDP-B003	4,850@51"	2,200@1300	8"-51"	III	0°	1,287	585	8.8"	11.1"	14.2"	35.3"	23.0"	1.4"
22H-RDP-B005	4,500@55"	2,050@1400	8"-55"	III	0°	1,320	600	8.8"	11.5"	14.2"	37.5"	24.5"	1.4"
22H-RDP-B007	4,100@60"	1,850@1525	8"-60"	III	0°	1,363	620	8.8"	12.1"	14.2"	39.9"	27.0"	1.4"

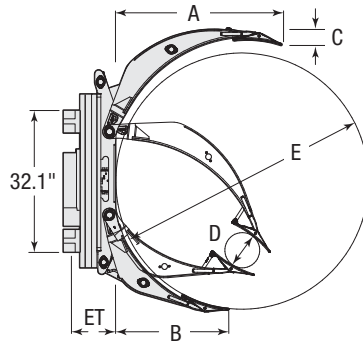
① 2" mounting available. Consult Cascade

- ▶ All models come standard with 360° rotation. 180° Stop Group available.
- ▶ Herringbone is standard. RXH pads available.
- ▶ Split contact pad available at no additional cost. Consult Cascade.
- ▶ For Swing Frame models see 45F.
- ▶ See adjacent page for rotator, hydraulic and pressure information

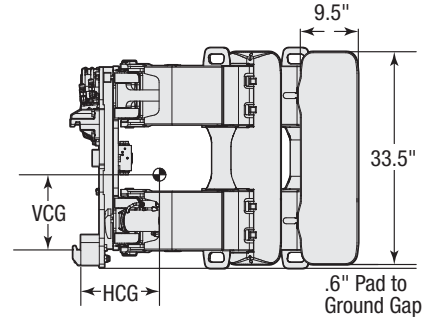
Split Arm



Fixed Frame



Solid Arm



360° Rotation

Catalog Order No.	Capacity for Diameter		Roll Range	Mounting Class	Mounting Angle Ⓢ	Weight		Effective Thickness	Horizontal Center of Gravity	Vertical Center of Gravity	Long Arm Length	Short Arm Length	Long Arm Thickness
	lbs @ in.	kg @ mm				D - E	lbs						
Fixed Frame/Fixed Short Arm/ Solid Long Arm													
24H-RCF-B001	5,300@45"	2,400@1,150	14"-45"	III	0°	1,264	575	9.0"	10.6"	14.2"	32.0"	20.3"	1.4"
24H-RCF-B003	5,300@51"	2,400@1,300	17"-51"	III	0°	1,318	599	9.0"	11.6"	14.2"	35.3"	23.0"	1.4"
24H-RCF-B005	4,900@55"	2,200@1,400	17"-55"	III	0°	1,356	617	9.0"	11.8"	14.2"	37.5"	24.5"	1.4"
24H-RCF-B007	4,500@60"	2,050@1,525	19"-60"	III	0°	1,394	633	9.0"	12.9"	14.2"	39.9"	27.0"	1.4"
24H-RCF-B008	4,300@63"	1,950@1,600	20"-63"	III	0°	1,431	650	9.0"	13.1"	14.2"	41.2"	28.5"	1.4"
Fixed Frame/Fixed Short Arm/Split Long Arm													
24H-RDF-B001	5,300@45"	2,400@1,150	14"-45"	III	0°	1,249	568	9.0"	10.3"	14.2"	32.0"	20.3"	1.4"
24H-RDF-B003	5,300@51"	2,400@1,300	17"-51"	III	0°	1,304	593	9.0"	11.3"	14.2"	35.3"	23.0"	1.4"
24H-RDF-B005	4,900@55"	2,200@1,400	17"-55"	III	0°	1,342	610	9.0"	11.4"	14.2"	37.5"	24.5"	1.4"
24H-RDF-B007	4,500@60"	2,050@1,525	19"-60"	III	0°	1,379	627	9.0"	12.5"	14.2"	39.9"	27.0"	1.4"
24H-RDF-B008	4,300@63"	1,950@1,600	20"-63"	III	0°	1,416	644	9.0"	12.7"	14.2"	41.2"	28.5"	1.4"
Fixed Frame/Positioned Short Arm/Solid Long Arm													
24H-RCP-B001	5,300@45"	2,400@1,150	8"-45"	III	0°	1,275	580	9.0"	10.6"	14.2"	32.0"	20.3"	1.4"
24H-RCP-B003	5,300@51"	2,400@1,300	8"-51"	III	0°	1,330	604	9.0"	11.6"	14.2"	35.3"	23.0"	1.4"
24H-RCP-B005	4,900@55"	2,200@1,400	8"-55"	III	0°	1,367	621	9.0"	11.7"	14.2"	37.5"	24.5"	1.4"
24H-RCP-B007	4,500@60"	2,050@1,525	8"-60"	III	0°	1,404	638	9.0"	12.9"	14.2"	39.9"	27.0"	1.4"
24H-RCP-B008	4,300@63"	1,950@1,600	8"-63"	III	0°	1,440	654	9.0"	13.0"	14.2"	41.2"	28.5"	1.4"
Fixed Frame/Positioned Short Arm/Split Long Arm													
24H-RDP-B001	5,300@45"	2,400@1,150	8"-45"	III	0°	1,261	573	9.0"	10.3"	14.2"	32.0"	20.3"	1.4"
24H-RDP-B003	5,300@51"	2,400@1,300	8"-51"	III	0°	1,315	598	9.0"	11.3"	14.2"	35.3"	23.0"	1.4"
24H-RDP-B005	4,900@55"	2,200@1,400	8"-55"	III	0°	1,352	615	9.0"	11.4"	14.2"	37.5"	24.5"	1.4"
24H-RDP-B007	4,500@60"	2,050@1,525	8"-60"	III	0°	1,389	631	9.0"	12.5"	14.2"	39.9"	27.0"	1.4"
24H-RDP-B008	4,300@63"	1,950@1,600	8"-63"	III	0°	1,425	648	9.0"	12.7"	14.2"	41.2"	28.5"	1.4"

Ⓢ 2° mounting available. Consult Cascade

- ▶ All models come standard with 360° rotation. 180° Stop Group available.
- ▶ Herringbone is standard. RXH pads available.
- ▶ Split contact pad available at no additional cost. Consult Cascade.
- ▶ For Swing Frame models see 45F.

ROTATOR SPECIFICATIONS

Model	Min. Truck Carriage Width	RPM	Flow GPM	Torque in-lbs @2300 psi
22H/24H	32"	7.0	15 gpm Ⓢ	63,000

Ⓢ Optional motors providing raster rotation are available. Reduced torque will result.

HYDRAULIC FUNCTIONS

Model	Hydraulic Functions	Truck Auxiliary Valves Required
Fixed & Positioned Short Arm	2	2

HYDRAULIC FLOW & PRESSURE (GPM)

Model	Min. Pressure psi	Max. Pressure psi/bar	Number of Functions	Rotate			Rotate		
				Min-Rec	Max	Function 1 gpm	Min-Rec	Max	Function 1 gpm
22H	500	2,300/160	2	5	10	15	5	10	15
24H	500	2,300/160	2	5	10	15	5	10	15

Portable Clamp Force Indicator



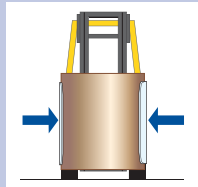
Measuring device that shows the clamp force applied to the load. Periodic checking and adjusting of clamp force is highly recommended to ensure damage-free handling. Includes calibrated gauge.

Roll Protector



Durable polyethylene sheet used to protect paper stored in warehouses from damage caused by lift trucks.

AFC (Adaptive Force Control)



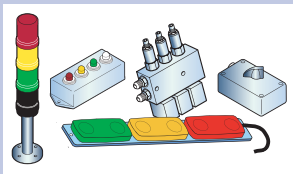
AFC is a computer-controlled clamping system that automatically controls the clamp force in proportion to the load weight.

HFC (Hydraulic Force Control)



HFC is a hydraulically controlled automatic clamp force system that changes the clamp force proportional to the load weight. It works by continually sensing the hydraulic force necessary to lift the load and adjusts clamping pressure as the weight of the load increases or decreases.

Electronic Pressure Regulator



Allows operator to select proper clamp force with control switch that can be mounted for maximum operator convenience.

Split-Arm



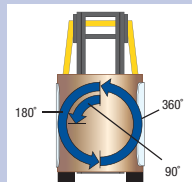
Allows secure handling of two stacked rolls of different diameters. Our hydraulic circuit allows clamping of one roll with minimum top arm movement.

WPM (Wireless Pressure Monitor)



Wireless Pressure Monitor is a system to monitor the hydraulic pressure in the clamping cylinders of an attachment on a real time basis. Perfect for allowing drivers to see the actual pressure during the clamp cycle to determine if the load holding components are malfunctioning.

Electronic Rotational Control



Provides 90° (bilge) and 180° stops during 360° clamp rotation, which automatically aligns pad to roll.

Load Cushion™



Hoist System Accumulator that absorbs shocks and reduces the clamp force required to handle the load. Available in one-pint and one-quart sizes.

Application Specific Pads



The correct pad is provided depending on the type of paper being handled. Use of the correct pad allows clamp pressure to be minimized. Rubber, urethane, tissue, and ribbed herringbone are examples of optional pads available.

Digital Clamp Force Indicator



Measuring device that shows the clamp force applied to the load. Used for clamp pressure calibration with systems using pressure relief valves.

DTI (Digital Tilt Indicator)



Cascade's Digital Tilt Indicator lets you know when your mast is tilted forward, backwards or true vertical. It clearly displays the angle of the mast at all times which eliminates guesswork and ultimately reduces damage and increases speed and efficiency.