



Damage-free handling of multiple pulp bales.

APPLICATIONS

For high-volume, damage free and secure handling of pulp bales and unitized pulp in stevedoring, mill, warehousing, shipboard and transporting operations.

FEATURES

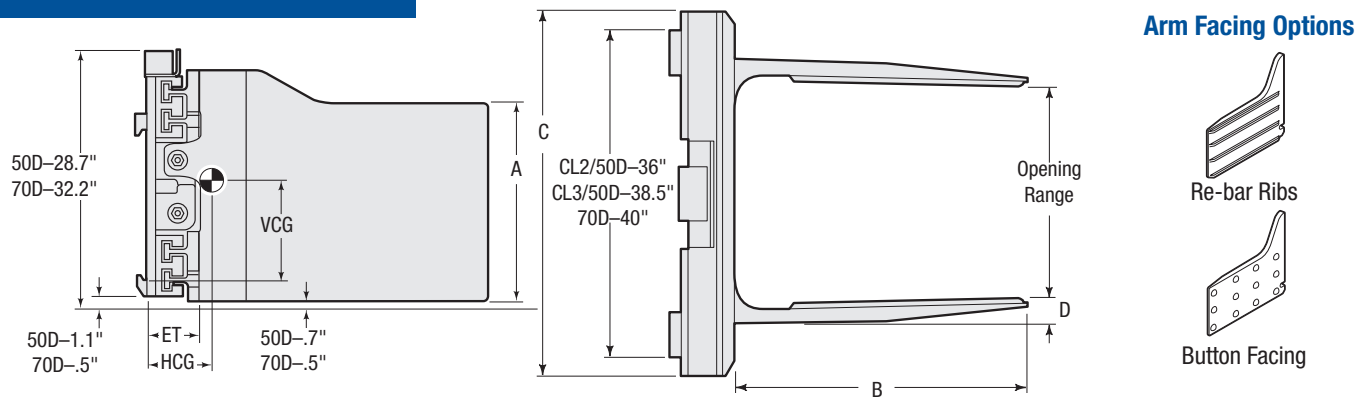
- Rugged, lightweight and dependable construction
- Heavy-duty arm castings for maximum strength
- Integral sideshift for accurate load placement
- Superior clamp capacity-to-weight ratio
- Excellent net truck capacity rating
- Unparalleled visibility
- Cartridge type clamp check valve
- Integral box section arms
- Fast arm speed
- Easy to service

OPTIONS

- Extended opening ranges
- Integral or pin mounting
- Various bale arm sizes and designs
- Choice of bale arm facing
- Metalized bale arms
- Articulated bale arm
- Center divider for handling six units

Pulp bale clamps for demanding applications.

50D-70D PULP BALE CLAMPS



| Catalog Order No. | Capacity @ 24" (600 mm) Load Center | | Opening Range | Mtg. Class | Lost Lift | Arm Height | Arm Length | Weight | | Effective Thickness | Horizontal Ctr. of Gravity | Vertical Ctr. of Gravity | Overall Width | Arm Thickness |
|-------------------|-------------------------------------|-------|---------------|------------|-----------|------------|------------|--------|-------|---------------------|----------------------------|--------------------------|---------------|---------------|
| | lbs | kg | | | | | | ITI | A | | | | | |
| 50D-PBS-61A | 5,000 | 2,270 | 23.4"-76.4" | II | 0" | 24" | 27" | 1,015 | 461 | 5.6" | 7.9" | 10.0" | 40" | 2.5" |
| 50D-PBS-61B | 5,000 | 2,270 | 23.4"-76.4" | III | 0" | 24" | 27" | 1,015 | 461 | 5.9" | 7.9" | 10.0" | 40" | 2.5" |
| 50D-PBS-62A | 5,000 | 2,270 | 23.4"-76.4" | II | 0" | 24" | 31" | 1,075 | 488 | 5.6" | 9.3" | 10.0" | 40" | 2.5" |
| 50D-PBS-62B | 5,000 | 2,270 | 23.4"-76.4" | III | 0" | 24" | 31" | 1,110 | 504 | 5.9" | 9.3" | 10.0" | 40" | 2.5" |
| 50D-PBS-63A | 5,000 | 2,270 | 23.2"-76.2" | II | 0" | 24" | 39" | 1,195 | 543 | 5.6" | 12.4" | 10.0" | 40" | 2.5" |
| 50D-PBS-63B | 5,000 | 2,270 | 23.2"-76.2" | III | 0" | 24" | 39" | 1,230 | 558 | 5.9" | 12.3" | 10.0" | 40" | 2.5" |
| 50D-PBS-64A | 5,000 | 2,270 | 23.0"-76.0" | II | 0" | 24" | 47" | 1,315 | 597 | 5.6" | 15.6" | 10.0" | 40" | 2.5" |
| 50D-PBS-64B | 5,000 | 2,270 | 23.0"-76.0" | III | 0" | 24" | 47" | 1,350 | 613 | 5.9" | 15.4" | 10.0" | 40" | 2.5" |
| 50D-PBS-24/48 | 5,000 | 2,270 | 26.0"-79.0" | II② | 11" | 48" | 24" | 1,350 | 613 | 8.6" | 10.0" | 14.5" | 40" | 1.7" |
| 70D-PBS-27B | 7,000 | 3,180 | 23.6"-84.0" | III | 0" | 18" | 27" | 1,710 | 776 | 7.0" | 7.8" | 14.2" | 48" | 2.6" |
| 70D-PBS-27C | 7,000 | 3,180 | 23.6"-84.0" | IV | 0" | 18" | 27" | 1,710 | 776 | 7.0" | 7.7" | 12.2" | 48" | 2.6" |
| 70D-PBS-31B | 7,000 | 3,180 | 23.6"-84.0" | III | 0" | 18" | 31" | 1,815 | 824 | 7.0" | 9.8" | 14.0" | 48" | 2.6" |
| 70D-PBS-31C | 7,000 | 3,180 | 23.6"-84.0" | IV | 0" | 18" | 31" | 1,815 | 824 | 7.0" | 9.7" | 12.0" | 48" | 2.6" |
| 70D-PBS-39B | 7,000 | 3,180 | 23.6"-84.0" | III | 0" | 18" | 39" | 1,925 | 874 | 7.0" | 10.8" | 13.8" | 48" | 2.6" |
| 70D-PBS-39C | 7,000 | 3,180 | 23.6"-84.0" | IV | 0" | 18" | 39" | 1,925 | 874 | 7.0" | 10.7" | 11.8" | 48" | 2.6" |
| 70D-PBS-61B | 7,000 | 3,180 | 23.6"-84.0" | III | 0" | 18" | 48" | 2,070 | 940 | 7.0" | 14.6" | 14.2" | 48" | 3.0" |
| 70D-PBS-61C | 7,000 | 3,180 | 23.6"-84.0" | IV | 0" | 18" | 48" | 2,070 | 940 | 7.0" | 14.6" | 12.2" | 48" | 3.0" |
| 70D-PBS-62B | 7,000 | 3,180 | 23.6"-84.0" | III | 0" | 18" | 54" | 2,180 | 990 | 7.0" | 16.6" | 14.0" | 48" | 3.0" |
| 70D-PBS-62C | 7,000 | 3,180 | 23.6"-84.0" | IV | 0" | 18" | 54" | 2,180 | 990 | 7.0" | 16.6" | 12.0" | 48" | 3.0" |
| 70D-PBS-63B | 7,000 | 3,180 | 23.6"-84.0" | III | 0" | 18" | 60" | 2,300 | 1,044 | 7.0" | 18.6" | 13.8" | 48" | 3.0" |
| 70D-PBS-63C | 7,000 | 3,180 | 23.6"-84.0" | IV | 0" | 18" | 60" | 2,300 | 1,044 | 7.0" | 18.6" | 11.8" | 48" | 3.0" |
| 70D-PBS-24/48 | 7,000 | 3,180 | 23.2"-83.6" | III① | 8" | 48" | 24" | 1,975 | 897 | 9.0" | 8.8" | 20.0" | 48" | 2.7" |

- ① Class IV available.
- ② Class III available.

- ▶ Round bar ribs are standard; other arm facings available.
- ▶ Articulating arms, pin mounting and other arm lengths are available for Pulp Bale Clamps upon request. Consult Cascade for price and availability.
- ▶ Pulp Bale Clamps are all sideshifting. Standard units can be easily converted to non-sideshifting by plugging ports on the valve.

Hydraulic Flow & Pressure

| Model | Maximum Pressure (psi/bar) | Number of Functions | Min-Rec-Max | |
|-------|----------------------------|---------------------|---|------------------------|
| | | | Function 1 (sideshift or revolving) gpm | Function 2 (clamp) gpm |
| 50D | 2,300/159 | 2 | 1-6-10 | 4-10-10 |
| 70D | 2,300/159 | 2 | 1-6-15 | 7-12-15 |

Rotator Specifications

| Model | Speed/RPM | Max @ Flow gpm | Torque in/lbs. @ 2,300 psi |
|-------|-----------|----------------|----------------------------|
| 50D | 5.2 | 15 | 80,000 |
| 70D | 4.1 | 15 | 98,000 |

- ▶ Optional motors providing faster rotation available. Reduced torque will result.
- ▶ Optional motors providing more torque available. Reduced speed will result.

Hydraulic Functions

| Hydraulic Functions | Truck Auxiliary Valves Required |
|---------------------|---------------------------------|
| 2 | 2 |

Cascade Corporation • PO Box 20187 • Portland, OR 97294-0187 • USA • 800 CASCADE (227.2233) • Tel 503.669.6257 • Fax 800.693.3768 • Fax 503.669.6367
 Cascade Canada Ltd. • 5570 Timberlea Blvd. • Mississauga, Ontario L4W 4M6 • Canada • 800.380.2272 • Tel 905.629.7777 • Fax 905.629.7785