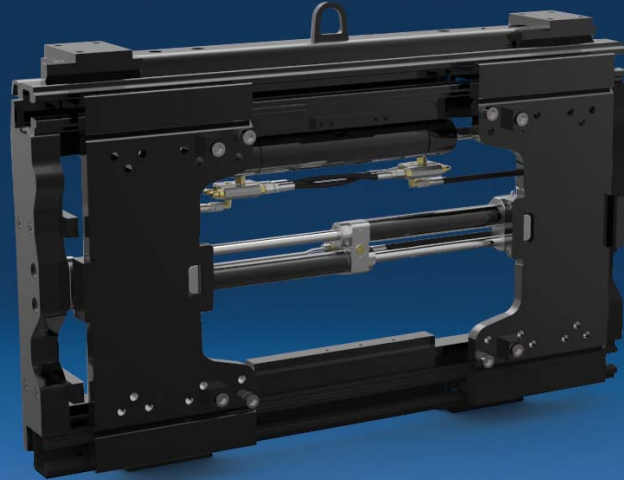


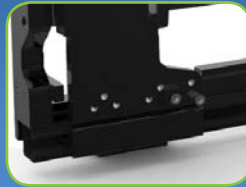
Rugged Fork Positioning for Demanding Applications and Harsh Environments



Excellent visibility through and over the top of the frame



Optional easy-to-install full width load backrest



Fork carriers accommodate various fork widths and fork mounting positions



Bronze lower sideshift hooks are standard for added durability



Replaceable fork positioning wear components offer smooth operation

APPLICATIONS

Recommended for rigorous applications including automotive, steel, lumber and various outdoor uses. Suitable for both standard and long fork applications, the L-Series Fork Positioners have a capacity range from 5,500- 15,400 lbs. L-Series Fork Positioners are designed to be used in the most rugged environments, tackling your toughest material handling challenges. The fork carriers are easily adjusted to accommodate a variety of fork widths.

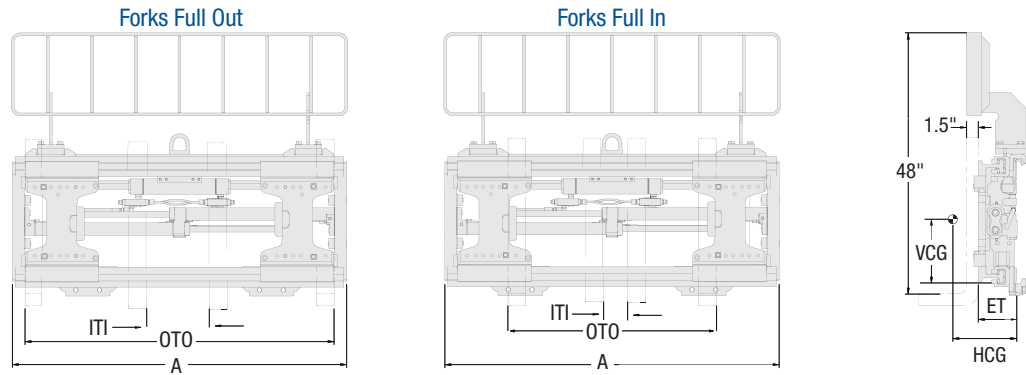
FEATURES

- Multiple hose termination options for quick and easy installation.
- Fork carriers with easy-to-service, durable, replaceable bearing segments ensure smooth travel and no wear on the fork hooks.
- Easy-to-install full-width load backrest.
- Unique design and construction allows fork carriers to extend beyond the frame width.
- Adaptable fork carriers accommodate various fork widths and can be adjusted so the forks are full out or forks full in.
- Standard flow divider circuit for equal fork movement.
- Bronze lower sideshift hooks standard.

OPTIONS

- Non-sideshifting or custom sideshift stroke.
- Anti-drift hydraulics and independent fork control.
- Radio Frequency (RF), Solenoid or Sequence Valve hydraulic controls.
- Quick-disconnect lower hooks.
- Custom load backrest heights and custom fork ranges.
- Several termination options including non-standard RH/LH arrangements for quick and easy installation.
- Bronze upper sideshift bearings.
- Bolt-on, Weld-on or Telescopic Forks.
- Cylinder and/or pallet guards.





Sideshifting

Catalog Order No.	Capacity@ 24" (600 mm) Load Center		Frame Width A	Forks Full Out on Carrier		Forks Full In on Carrier		Mtg. Class	Min. Truck Carriage Width	Weight lbs kg	Effective Thickness ET	Horizontal Ctr. of Gravity HCG	Vertical Ctr. of Gravity VCG	Total Sideshift
	lbs	kg		ITI-OTO	ITI-OTO									
With Backrest 48" High														
opening range for 4" forks														
25L-FPS-A134	5,500	2,500	34.1"	12.3"-38.0"	2.3"-28.0"	II	29.5"	332	151	5.1"	2.9"	13.6"	8"	
25L-FPS-A138	5,500	2,500	38.0"	12.3"-41.9"	2.3"-32.0"	II	34.8"	350	159	5.1"	3.0"	14.0"	8"	
25L-FPS-A140	5,500	2,500	40.0"	12.3"-43.9"	2.3"-33.9"	II	34.8"	356	162	5.1"	2.9"	14.0"	8"	
25L-FPS-A143	5,500	2,500	43.1"	12.3"-47.0"	2.3"-37.1"	II	36.0"	372	169	5.1"	3.0"	14.2"	8"	
25L-FPS-A146	5,500	2,500	46.1"	12.3"-50.0"	2.3"-40.0"	II	39.8"	383	174	5.1"	2.9"	14.2"	8"	
25L-FPS-A149	5,500	2,500	49.0"	12.3"-53.0"	2.3"-43.0"	II	41.9"	400	182	5.1"	2.9"	14.4"	8"	
25L-FPS-A155	5,500	2,500	55.1"	12.3"-59.1"	2.3"-49.1"	II	48.0"	449	204	5.1"	2.8"	14.2"	8"	
25L-FPS-A161	5,500	2,500	61.0"	12.3"-65.0"	2.3"-55.0"	II	52.0"	473	215	5.1"	2.8"	14.4"	8"	

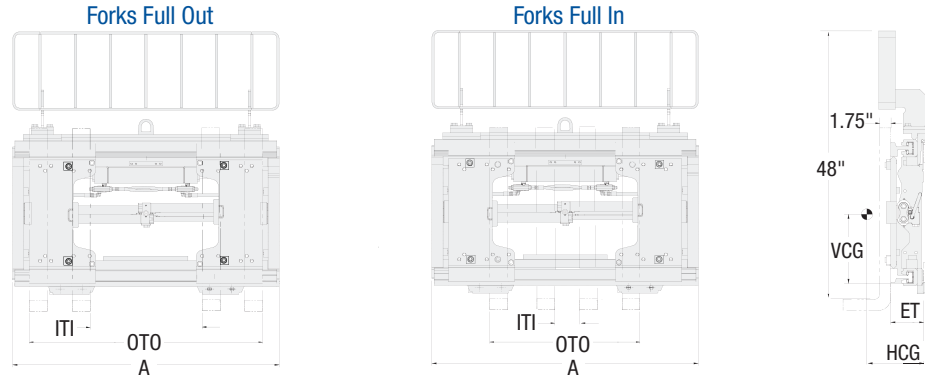
- ▶ For forks longer than 96" or load centers exceeding 48", consult Cascade.
- ▶ In order to ensure that the unit best suited for the application is selected, consult Cascade.
- ▶ Suitable for 5", 6" & 7" forks in addition to 4". Consult Cascade for ITI-OTO ranges for 5", 6" & 7" forks.
- ▶ Forks are not included with attachment.
- ▶ Fork installation does not require welding, drilling or tapping.
- ▶ L models are equipped with lower bronze sideshift hooks as standard for extended load center applications. In harsh applications bronze upper sideshift bearings are optional
- ▶ LH Sideshift termination; RH Fork Positioner termination as standard. Can be reversed at no charge.
- ▶ Non-sideshifting units available
- ▶ **Consult Cascade for unit without load backrest.**
- ▶ **DO NOT USE TO CLAMP LOADS.**

HYDRAULIC FUNCTIONS

Hydraulic Functions	Truck Auxiliary Valves Required
2	2

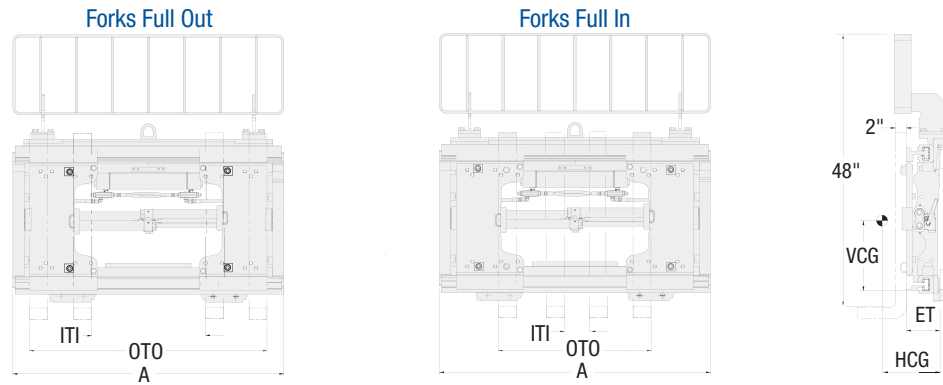
HYDRAULIC FLOW & PRESSURE

Maximum Pressure	Number of Functions	Min-Rec-Max Function 1	Min-Rec-Max Function 2
3,500 psi / 241 bar	2	1 - 4 - 5	1 - 4 - 5


Sideshifting

Catalog Order No.	Capacity@ 24\" (600 mm) Load Center		Frame Width A	Forks Full Out on Carrier (Out to Out)	Forks Full In on Carrier (In to In)	Mtg. Class	Min. Truck Carriage Width	Weight	Effective Thickness ET	Horizontal Ctr. of Gravity HCG	Vertical Ctr. of Gravity VCG	Total Sideshift	
	lbs	kg		ITI-OTO	ITI-OTO								
With Backrest 48\" High													
opening range for 5\" forks													
32L-FPS-B138	7,000	3,200	38.0"	10.3\"-41.9"	2.8\"-34.4"	III	34.8"	444	202	5.3"	2.9"	15.0"	8"
32L-FPS-B140	7,000	3,200	40.0"	10.3\"-43.9"	2.8\"-36.4"	III	34.8"	451	205	5.3"	2.9"	15.0"	8"
32L-FPS-B143	7,000	3,200	43.1"	10.3\"-47.0"	2.8\"-39.5"	III	36.0"	466	212	5.3"	2.9"	15.4"	8"
32L-FPS-B146	7,000	3,200	46.1"	10.3\"-50.0"	2.8\"-42.5"	III	39.8"	480	218	5.3"	2.8"	15.2"	8"
32L-FPS-B149	7,000	3,200	49.0"	10.3\"-53.0"	2.8\"-45.4"	III	41.9"	497	226	5.3"	2.8"	15.4"	8"
32L-FPS-B155	7,000	3,200	55.1"	10.3\"-59.1"	2.8\"-51.1"	III	48.0"	590	268	5.3"	2.8"	16.3"	8"
32L-FPS-B161	7,000	3,200	61.0"	10.3\"-65.0"	2.8\"-57.4"	III	52.0"	620	282	5.3"	2.8"	16.5"	8"
32L-FPS-B168	7,000	3,200	68.1"	10.3\"-72.0"	2.8\"-64.5"	III	60.0"	658	299	5.3"	2.8"	16.9"	8"
32L-FPS-B172	7,000	3,200	72.0"	10.3\"-76.0"	2.8\"-68.5"	III	69.5"	678	308	5.3"	2.8"	16.9"	8"
32L-FPS-B175	7,000	3,200	75.0"	10.3\"-78.9"	2.8\"-71.4"	III	69.5"	719	327	5.3"	2.8"	16.7"	8"
32L-FPS-B180	7,000	3,200	80.1"	10.3\"-84.1"	2.8\"-76.5"	III	69.5"	746	339	5.3"	2.8"	16.9"	8"
32L-FPS-B186	7,000	3,200	86.0"	10.3\"-90.0"	2.8\"-82.4"	III	77.8"	779	354	5.3"	2.8"	17.1"	8"
46L-FPS-B143	10,000	4,600	43.1"	11.1\"-47.0"	2.6\"-38.5"	III	36.0"	563	256	5.9"	3.1"	14.0"	8"
46L-FPS-B146	10,000	4,600	46.1"	11.1\"-50.0"	2.6\"-41.5"	III	39.8"	579	263	5.9"	3.1"	14.0"	8"
46L-FPS-B149	10,000	4,600	49.0"	11.1\"-53.0"	2.6\"-44.4"	III	41.9"	598	272	5.9"	3.1"	14.2"	8"
46L-FPS-B155	10,000	4,600	55.1"	11.1\"-59.1"	2.6\"-50.6"	III	48.0"	706	321	5.9"	3.1"	15.0"	8"
46L-FPS-B161	10,000	4,600	61.0"	11.1\"-65.0"	2.6\"-60.4"	III	52.0"	746	339	5.9"	3.1"	15.2"	8"
46L-FPS-B168	10,000	4,600	68.1"	11.1\"-72.0"	2.6\"-63.5"	III	60.0"	794	361	5.9"	3.1"	15.4"	8"
46L-FPS-B172	10,000	4,600	72.0"	11.1\"-76.0"	2.6\"-67.5"	III	69.5"	818	372	5.9"	3.0"	15.4"	8"
46L-FPS-B175	10,000	4,600	75.0"	11.1\"-78.9"	2.6\"-70.4"	III	69.5"	871	396	5.9"	3.0"	15.4"	8"
46L-FPS-B180	10,000	4,600	80.1"	11.1\"-84.1"	2.6\"-75.6"	III	69.5"	904	411	5.9"	3.0"	15.4"	8"
46L-FPS-B186	10,000	4,600	86.0"	11.1\"-90.0"	2.6\"-81.5"	III	77.8"	946	430	5.9"	3.0"	15.6"	8"

- ▶ For forks longer than 96\" or load centers exceeding 48\", consult Cascade.
- ▶ In order to ensure that the unit best suited for the application is selected, consult Cascade.
- ▶ Suitable for 6\", 7\" & 8\" forks in addition to 5\". Consult Cascade for ITI-OTO ranges for 6\", 7\" & 8\" forks.
- ▶ Forks are not included with attachment.
- ▶ Fork installation does not require welding, drilling or tapping.
- ▶ L-Series are equipped with lower bronze sideshift hooks as standard for extended load center applications. In harsh applications bronze upper sideshift bearings are optional
- ▶ LH Sideshift termination; RH Fork Positioner termination as standard. Can be reversed at no charge.
- ▶ Non-sideshifting units available
- ▶ Consult Cascade for unit without load backrest.
- ▶ **DO NOT USE TO CLAMP LOADS.**



Sideshifting

Catalog Order No.	Capacity@ 24" (600 mm) Load Center		Frame Width A	Forks Full Out on Carrier (Out to Out)		Mtg. Class	Min. Truck Carriage Width	Weight		Effective Thickness ET	Horizontal Ctr. of Gravity HCG	Vertical Ctr. of Gravity VCG	Total Sideshift	
	lbs	kg		ITI-OTO	ITI-OTO			lbs	kg					
With Backrest 48" High													opening range for 6" forks	
55L-FPS-C149	12,000	5,500	49.0"	11.5"-50.6"	2.2"-41.2"	IV	41.9"	739	336	5.9"	3.0"	16.9"	8"	
55L-FPS-C155	12,000	5,500	55.1"	11.5"-56.7"	2.2"-47.3"	IV	46.0"	788	358	5.9"	3.0"	17.1"	8"	
55L-FPS-C161	12,000	5,500	61.0"	11.5"-62.6"	2.2"-53.2"	IV	52.0"	843	383	5.9"	2.9"	17.1"	8"	
55L-FPS-C168	12,000	5,500	68.1"	11.5"-69.7"	2.2"-60.3"	IV	60.0"	944	429	5.9"	2.8"	17.1"	8"	
55L-FPS-C172	12,000	5,500	72.0"	11.5"-73.6"	2.2"-64.2"	IV	60.0"	970	441	5.9"	2.8"	17.1"	8"	
55L-FPS-C175	12,000	5,500	75.0"	11.5"-76.6"	2.2"-67.2"	IV	69.5"	999	454	5.9"	2.8"	17.1"	8"	
55L-FPS-C180	12,000	5,500	80.1"	11.5"-81.7"	2.2"-72.3"	IV	69.5"	1,082	492	5.9"	2.7"	17.1"	8"	
55L-FPS-C186	12,000	5,500	86.0"	11.5"-87.6"	2.2"-78.2"	IV	77.8"	1,146	521	5.9"	2.8"	17.5"	8"	
55L-FPS-C192	12,000	5,500	92.1"	11.5"-93.7"	2.2"-84.3"	IV	77.8"	1,203	547	5.9"	2.8"	17.7"	8"	
55L-FPS-C196	12,000	5,500	96.1"	11.5"-97.6"	2.2"-90.0"	IV	82.0"	1,239	563	5.9"	2.7"	17.7"	8"	
70L-FPS-C124	15,400	7,000	48.0"	11.5"-49.6"	2.2"-40.2"	IV	46.0"	737	335	5.9"	3.0"	16.9"	12"	
70L-FPS-C149	15,400	7,000	49.0"	11.5"-50.6"	2.2"-41.2"	IV	46.0"	744	338	5.9"	3.0"	16.9"	12"	
70L-FPS-C155	15,400	7,000	55.1"	11.5"-56.7"	2.2"-47.3"	IV	53.5"	801	364	5.9"	2.9"	16.9"	12"	
70L-FPS-C161	15,400	7,000	61.0"	11.5"-62.6"	2.2"-53.2"	IV	60.0"	849	386	5.9"	2.9"	17.1"	12"	
70L-FPS-C168	15,400	7,000	68.1"	11.5"-69.7"	2.2"-60.3"	IV	65.9"	950	432	5.9"	2.8"	17.1"	12"	
70L-FPS-C172	15,400	7,000	72.0"	11.5"-73.6"	2.2"-64.2"	IV	65.9"	977	444	5.9"	2.8"	17.1"	12"	
70L-FPS-C175	15,400	7,000	75.0"	11.5"-76.6"	2.2"-67.2"	IV	72.0"	1,003	456	5.9"	2.8"	17.3"	12"	
70L-FPS-C104 ③	15,400	7,000	77.6"	11.5"-79.1"	2.2"-69.8"	IV	78.0"	1,021	464	5.9"	2.8"	17.3"	12"	
70L-FPS-C180	15,400	7,000	80.1"	11.5"-81.7"	2.2"-72.3"	IV	77.8"	1,091	496	5.9"	2.7"	17.1"	12"	
70L-FPS-C186	15,400	7,000	86.0"	11.5"-87.6"	2.2"-78.2"	IV	85.0"	1,162	528	5.9"	2.7"	17.3"	12"	
70L-FPS-C192	15,400	7,000	92.1"	11.5"-93.7"	2.2"-84.3"	IV	85.0"	1,217	553	5.9"	2.7"	17.7"	12"	
70L-FPS-C196	15,400	7,000	96.1"	11.5"-97.6"	2.2"-88.3"	IV	89.0"	1,245	566	5.9"	2.7"	17.7"	12"	

③ Compatible with current production Hyster and Yale.

- ▶ For forks longer than 96" or load centers exceeding 48", consult Cascade.
- ▶ In order to ensure that the unit best suited for the application is selected, consult Cascade.
- ▶ Suitable for 7", 8" & 10" forks in addition to 6". Consult Cascade for ITI-OTO ranges for 7", 8" & 10" forks.
- ▶ Forks are not included with attachment.
- ▶ Fork installation does not require welding, drilling or tapping.

- ▶ L-Series are equipped with lower bronze sideshift hooks as standard for extended load center applications. In harsh applications bronze upper sideshift bearings are optional
- ▶ Left Hand Sideshift termination; Right Hand Fork Positioner termination as standard. Can be reversed at no charge.
- ▶ Non-sideshifting units available
- ▶ Consult Cascade for unit without load backrest.
- ▶ **DO NOT USE TO CLAMP LOADS.**