



Extremely Durable Bale Clamp Minimizes Down Time, Provides Excellent Visibility

APPLICATIONS

The Cascade Pulp Bale Clamp efficiently handles up to 11,000 lbs.

MODELS

Articulated Left Arm:

- Articulating left arm self-aligns the arms to the load to evenly distribute clamp force on entire load

Fixed Arms:

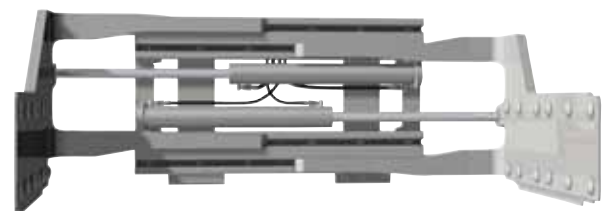
- Thin profile on both arms for pulp handling

FEATURES

- Thin arm profile enables damage-free “knifing” between tightly stacked bales
- Full width lip over UHMW bearings provide maximum strength and bearing support, greatly reducing wear on bearing surface-lowers replacement cost of bearings
- Hydraulic circuit provides the following:
 - Overclamping protection
 - Sideshift pressure relief
 - Backhand pressure relief
- Arm bar corner casting designed to prevent interference with the load.
- Standard smooth rib bar arm facing reduces potential for bale damage
- Dual hardened wear bars protects frame from wear when dragged on the ground

OPTIONS

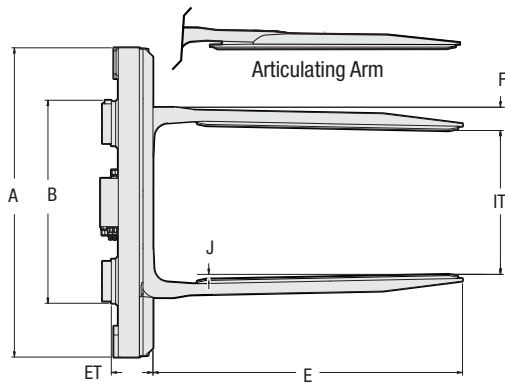
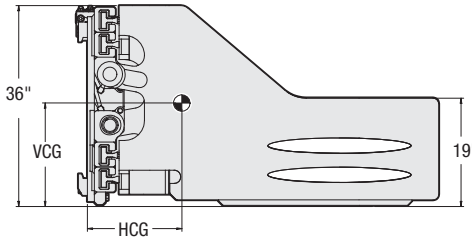
- Optional arm facing available for special applications:
 - Button head facing is an option which minimizes the potential for damaging the wire wrapped around the unitized load.
 - Higher friction re-bar arm facing
- A variety of arm sizes, configurations and opening ranges available
- Frame easily adapts to different mountings.
- Full width wear bar under frame
- Frame bumper to protect cylinders
- Left hand or right hand hydraulic clamp connection. Right hand is standard.



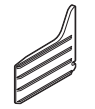
Shown with optional button head facing.

Minimize down
time with
ultra long life
UHMW bearings

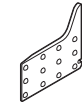
120G PULP BALE CLAMP



Arm Facing Options



Re-bar Ribs



Button Facing

Sideshifting

Model	Capacity @ 31.5" (800 mm) Load Center	Overall Width	Opening Range	Arm Length	Arm Thickness	Arm Toe-in	Min. Truck Carriage Width	Weight	Horizontal Ctr of Gravity	Vertical Ctr. of Gravity	Effective Thickness	Mounting Class
	lbs kg	A	ITI	E	F	J	B	lbs kg	HCG	VCG	ET	
Articulating Left Arm												
120G-PBS-C111	8,800 4,000	53"	23.2"-84.8"	47"	4"	0.6"	39.4"	2616 1189	11.9"	12.0"	7.4"	IV
120G-PBS-C112	8,800 4,000	53"	22.8"-84.4"	55"	4"	1.0"	39.4"	2856 1298	14.4"	11.7"	7.4"	IV
120G-PBS-C113	8,800 4,000	53"	22.4"-84.1"	63"	5"	1.4"	39.4"	3043 1383	16.8"	11.5"	7.4"	IV
120G-PBS-C131	8,800 4,000	55"	28.0"-93.5"	47"	4"	0.6"	39.4"	2684 1220	11.7"	12.0"	7.4"	IV
120G-PBS-C132	8,800 4,000	55"	27.2"-92.7"	55"	4"	1.0"	39.4"	2924 1329	14.2"	11.8"	7.4"	IV
120G-PBS-C133	8,800 4,000	55"	26.4"-91.9"	63"	5"	1.4"	39.4"	3109 1413	16.5"	11.6"	7.4"	IV
120G-PBS-C141	8,800 4,000	57"	24.6"-93.7"	47"	4"	0.6"	39.4"	2693 1224	11.7"	12.0"	7.4"	IV
120G-PBS-C142	8,800 4,000	57"	23.8"-92.9"	55"	4"	1.0"	39.4"	2937 1335	14.1"	11.8"	7.4"	IV
120G-PBS-C143	8,800 4,000	57"	23.0"-92.1"	63"	5"	1.4"	39.4"	3122 1419	16.5"	11.6"	7.4"	IV
120G-PBS-C151	8,800 4,000	61"	28.0"-101.4"	47"	4"	0.6"	39.4"	2794 1270	11.4"	12.1"	7.4"	IV
120G-PBS-C152	8,800 4,000	61"	27.2"-100.6"	55"	4"	1.0"	39.4"	3036 1380	13.8"	11.9"	7.4"	IV
120G-PBS-C153	8,800 4,000	61"	26.4"-99.8"	63"	5"	1.4"	39.4"	3219 1463	16.1"	11.7"	7.4"	IV
120G-PBS-C161	8,800 4,000	63"	24.6"-98.8"	47"	4"	0.6"	39.4"	2801 1273	11.3"	12.1"	7.4"	IV
120G-PBS-C162	8,800 4,000	63"	23.8"-98.8"	55"	4"	1.0"	39.4"	3043 1383	13.8"	11.9"	7.4"	IV
120G-PBS-C163	8,800 4,000	63"	23.0"-98.0"	63"	5"	1.4"	39.4"	3227 1467	16"	15.6"	7.4"	IV
120G-PBS-C171	8,800 4,000	65"	28.5"-109.4"	47"	4"	0.6"	39.4"	2871 1305	11.2"	12.2"	7.4"	IV
120G-PBS-C172	8,800 4,000	65"	27.8"-108.7"	55"	4"	1.0"	39.4"	3113 1415	13.5"	11.9"	7.4"	IV
120G-PBS-C173	8,800 4,000	65"	27.0"-107.9"	63"	5"	1.4"	39.4"	3298 1499	15.8"	11.7"	7.4"	IV
Fixed Arms												
120G-PBS-C011	8,800 4,000	53"	24.0"- 85.6"	47"	4"	0.6"	39.4"	2647 1203	11.8"	11.9"	7.4"	IV
120G-PBS-C012	8,800 4,000	53"	23.2"-84.8"	55"	4"	1.0"	39.4"	2840 1291	14"	11.6"	7.4"	IV
120G-PBS-C013	8,800 4,000	53"	22.4"-84.1"	63"	5"	1.4"	39.4"	3001 1364	16.2"	11.3"	7.4"	IV
120G-PBS-C031	8,800 4,000	55"	28.0"-93.5"	47"	4"	0.6"	39.4"	2713 1233	11.6"	11.9"	7.4"	IV
120G-PBS-C032	8,800 4,000	55"	27.2"-92.7"	55"	4"	1.0"	39.4"	2783 1265	12.2"	11.7"	7.4"	IV
120G-PBS-C033	8,800 4,000	55"	26.4"-91.9"	63"	5"	1.4"	39.4"	2847 1294	12.8"	11.5"	7.4"	IV
120G-PBS-C041	8,800 4,000	57"	24.6"-93.7"	47"	4"	0.6"	39.4"	2704 1229	11.6"	11.9"	7.4"	IV
120G-PBS-C042	8,800 4,000	57"	23.8"-92.9"	55"	4"	1.0"	39.4"	2774 1261	12.2"	11.7"	7.4"	IV
120G-PBS-C043	8,800 4,000	57"	23.0"-92.1"	63"	5"	1.4"	39.4"	2840 1291	12.8"	11.5"	7.4"	IV
120G-PBS-C051	8,800 4,000	61"	28.0"-101.4"	47"	4"	0.6"	39.4"	2748 1249	11.5"	11.9"	7.4"	IV
120G-PBS-C052	8,800 4,000	61"	27.2"-100.6"	55"	4"	1.0"	39.4"	2818 1281	12.1"	11.7"	7.4"	IV
120G-PBS-C053	8,800 4,000	61"	26.4"-99.6"	63"	5"	1.4"	39.4"	2884 1311	12.7"	11.6"	7.4"	IV
120G-PBS-C061	8,800 4,000	63"	24.6"-99.6"	47"	4"	0.6"	39.4"	2739 1245	11.5"	11.9"	7.4"	IV
120G-PBS-C062	8,800 4,000	63"	23.8"-98.8"	55"	4"	1.0"	39.4"	3023 1374	13.4"	11.7"	7.4"	IV
120G-PBS-C063	8,800 4,000	63"	23.0"-98.0"	63"	5"	1.4"	39.4"	3186 1448	15.5"	11.5"	7.4"	IV
120G-PBS-C071	8,800 4,000	65"	28.5"-109.4"	47"	4"	0.6"	39.4"	2900 1318	11.1"	12.0"	7.4"	IV
120G-PBS-C072	8,800 4,000	65"	27.8"-108.7"	55"	4"	1.0"	39.4"	3095 1407	13.2"	11.8"	7.4"	IV
120G-PBS-C073	8,800 4,000	65"	27.0"-107.9"	63"	5"	1.4"	39.4"	3254 1479	15.2"	11.5"	7.4"	IV

▶ Standard arm facing is smooth round bar which reduces potential for tearing the bale wrapper.

▶ Optional higher friction re-bar arm facing is available upon request.

▶ Button facing is an option which minimizes the potential for damaging the wire wrapped around the unitized load.

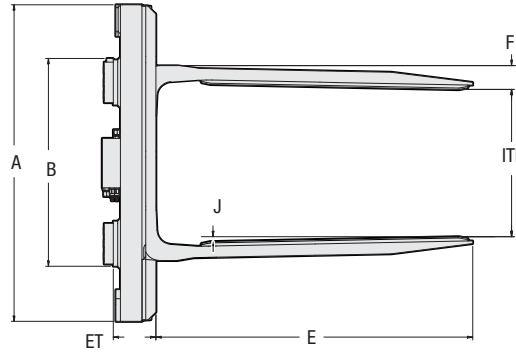
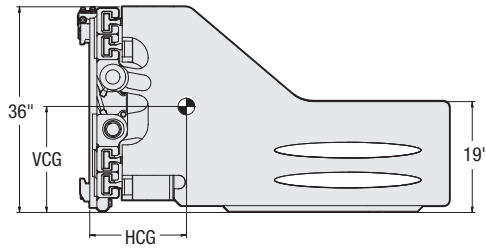
▶ Standard open and close on right hand, sideshift connection on left hand of valve. Cascade can supply open and close on left hand and SS on right hand side of valve. Contact Cascade.

HYDRAULIC FUNCTIONS

Hydraulic Functions	Truck Aux. Valves Required
2	2
* For optional Non-Sideshifting models	
1	1

HYDRAULIC FLOW & PRESSURE

Min. Flow	Recommended Flow	Max. Flow	Max. Pressure
10 GPM	15 GPM	23 GPM	2300 PSI



Arm Facing Options



Sideshifting

Model	Capacity @ 31.5" (800 mm) Load Center	Overall Width	Opening Range	Arm Length	Arm Thickness	Arm Toe-in	Min. Truck Carriage Width	Weight	Horizontal Ctr of Gravity	Vertical Ctr. of Gravity	Effective Thickness	Mounting Class		
	lbs	kg	ITI	E	F	J	B	lbs	kg	HCG	VCG	ET		
Fixed Arms														
140G-PBS-C011	11,000	5,000	61"	24.0"- 93.5"	47"	4"	0.8"	43.3	2840	1291	11.3"	12.0"	7.6"	IV
140G-PBS-C012	11,000	5,000	61"	23.2"- 92.7"	55"	4"	1.2"	43.3	3034	1379	13.5"	11.7"	7.6"	IV
140G-PBS-C013	11,000	5,000	61"	22.0"- 91.5"	63"	5"	1.6"	43.3	3197	1453	15.6"	11.5"	7.6"	IV
140G-PBS-C031	11,000	5,000	65"	28.0"- 101.4"	47"	4"	0.8"	43.3	2950	1341	11.1"	12.0"	7.6"	IV
140G-PBS-C032	11,000	5,000	65"	27.2"- 100.6"	55"	4"	1.2"	43.3	3146	1430	13.1"	11.8"	7.6"	IV
140G-PBS-C033	11,000	5,000	65"	26.0"- 99.4"	63"	5"	1.6"	43.3	3309	1504	15.2"	11.6"	7.6"	IV
140G-PBS-C041	11,000	5,000	67"	24.0"- 101.4"	47"	4"	0.8"	43.3	2948	1340	11.1"	12.0"	7.6"	IV
140G-PBS-C042	11,000	5,000	67"	23.2"- 100.6"	55"	4"	1.2"	43.3	3144	1429	13.1"	11.8"	7.6"	IV
140G-PBS-C043	11,000	5,000	67"	22.0"- 99.4"	63"	5"	1.6"	43.3	3307	1503	15.2"	11.6"	7.6"	IV
140G-PBS-C051	11,000	5,000	69"	28.0"- 109.3"	47"	4"	0.8"	43.3	3025	1375	10.9"	12.1"	7.6"	IV
140G-PBS-C052	11,000	5,000	69"	27.2"- 108.5"	55"	4"	1.2"	43.3	3221	1464	12.9"	11.9"	7.6"	IV
140G-PBS-C053	11,000	5,000	69"	26.0"- 107.3"	63"	5"	1.6"	43.3	3381	1537	14.9"	11.6"	7.6"	IV
140G-PBS-C061	11,000	5,000	71"	24.6"- 107.1"	47"	4"	0.8"	43.3	3021	1373	10.9"	12.1"	7.6"	IV
140G-PBS-C062	11,000	5,000	71"	23.8"- 106.3"	55"	4"	1.2"	43.3	3216	1462	12.9"	11.9"	7.6"	IV
140G-PBS-C063	11,000	5,000	71"	22.6"- 105.1"	63"	5"	1.6"	43.3	3375	1534	14.9"	11.6"	7.6"	IV
140G-PBS-C071	11,000	5,000	73"	28.5"- 116.9"	47"	4"	0.8"	47.2	3102	1410	10.7"	12.2"	7.6"	IV
140G-PBS-C072	11,000	5,000	73"	27.8"- 116.1"	55"	4"	1.2"	47.2	3298	1499	12.7"	11.9"	7.6"	IV
140G-PBS-C073	11,000	5,000	73"	26.6"- 115.0"	63"	5"	1.6"	47.2	3458	1572	14.7"	11.7"	7.6"	IV
140G-PBS-C081	11,000	5,000	81"	28.5"- 124.8"	47"	4"	0.8"	55.1	3243	1474	10.4"	12.2"	7.6"	IV
140G-PBS-C082	11,000	5,000	81"	27.8"- 124.0"	55"	4"	1.2"	55.1	3439	1563	12.4"	12.0"	7.6"	IV
140G-PBS-C083	11,000	5,000	81"	26.6"- 122.8"	63"	5"	1.6"	55.1	3599	1636	14.3"	11.8"	7.6"	IV
140G-PBS-C091	11,000	5,000	89"	28.5"- 132.7"	47"	4"	0.8"	63	3384	1538	10.2"	12.3"	7.6"	IV
140G-PBS-C092	11,000	5,000	89"	27.8"- 131.9"	55"	4"	1.2"	63	3579	1627	12.0"	12.1"	7.6"	IV
140G-PBS-C093	11,000	5,000	89"	26.6"- 130.7"	63"	5"	1.6"	63	3740	1700	13.9"	11.9"	7.6"	IV

- ▶ Standard arm facing is smooth round bar which reduces potential for tearing the bale wrapper.
- ▶ Optional higher friction re-bar arm facing is available upon request.

- ▶ Button facing is an option which minimizes the potential for damaging the wire wrapped around the unitized load.
- ▶ Standard open and close on right hand, sideshift connection on left hand of valve. Cascade can supply open and close on left hand and SS on right hand side of valve. Contact Cascade.

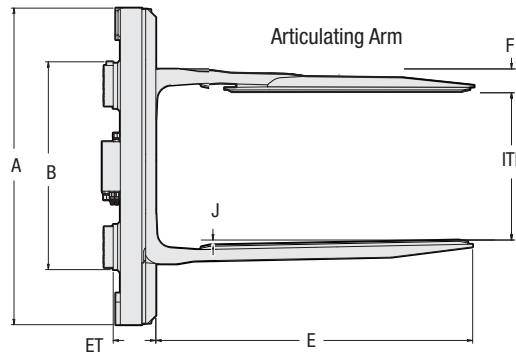
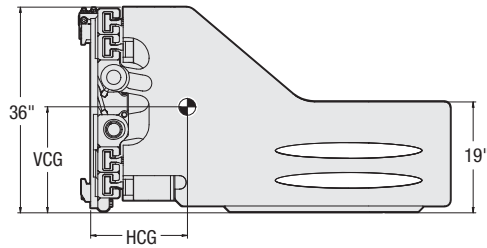
HYDRAULIC FUNCTIONS

Hydraulic Functions	Truck Aux. Valves Required
2	2
* For optional Non-Sideshifting models	
1	1

HYDRAULIC FLOW & PRESSURE

Min. Flow	Recommended Flow	Max. Flow	Max. Pressure
10 GPM	15 GPM	23 GPM	2300 PSI

140G PULP BALE CLAMP



Arm Facing Options



Sideshifting

Model	Capacity @ 31.5" (800 mm) Load Center		Overall Width A	Opening Range ITI	Arm Length E	Arm Thickness F	Arm Toe-in J	Min. Truck Carriage Width B	Weight		Horizontal Ctr of Gravity HCG	Vertical Ctr. of Gravity VCG	Effective Thickness ET	Mounting Class
	lbs	kg							lbs	kg				
Articulating Left Arm														
140G-PBS-C111	11,000	5,000	61"	24.0"- 93.5"	47"	4"	0.8"	43.3"	2798	1272	11.4"	12.1"	7.6"	IV
140G-PBS-C112	11,000	5,000	61"	23.2"- 92.7"	55"	4"	1.2"	43.3"	3038	1381	13.9"	11.9"	7.6"	IV
140G-PBS-C113	11,000	5,000	61"	22.0"- 91.5"	63"	5"	1.6"	43.3"	3223	1465	16.1"	11.7"	7.6"	IV
140G-PBS-C131	11,000	5,000	65"	28.0"- 101.4"	47"	4"	0.8"	43.3"	2908	1322	11.1"	12.2"	7.6"	IV
140G-PBS-C132	11,000	5,000	65"	27.2"- 100.6"	55"	4"	1.2"	43.3"	3150	1432	13.5"	12.0"	7.6"	IV
140G-PBS-C133	11,000	5,000	65"	26.0"- 99.4"	63"	5"	1.6"	43.3"	3337	1517	15.7"	11.7"	7.6"	IV
140G-PBS-C141	11,000	5,000	67"	24.0"- 101.4"	47"	4"	0.8"	43.3"	2906	1321	11.1"	12.2"	7.6"	IV
140G-PBS-C142	11,000	5,000	67"	23.2"- 100.6"	55"	4"	1.2"	43.3"	3146	1430	13.5"	11.9"	7.6"	IV
140G-PBS-C143	11,000	5,000	67"	22.0"- 99.4"	63"	5"	1.6"	43.3"	3333	1515	15.7"	11.7"	7.6"	IV
140G-PBS-C151	11,000	5,000	69"	28.0"- 109.3"	47"	4"	0.8"	43.3"	2983	1356	11"	12.2"	7.6"	IV
140G-PBS-C152	11,000	5,000	69"	27.2"- 108.5"	55"	4"	1.2"	43.3"	3208	1458	13.3"	12.0"	7.6"	IV
140G-PBS-C153	11,000	5,000	69"	26.0"- 107.3"	63"	5"	1.6"	43.3"	3410	1550	15.5"	11.8"	7.6"	IV
140G-PBS-C161	11,000	5,000	71"	24.6"- 107.1"	47"	4"	0.8"	43.3"	2979	1354	10.9"	12.2"	7.6"	IV
140G-PBS-C162	11,000	5,000	71"	23.8"- 106.3"	55"	4"	1.2"	43.3"	3216	1462	13.3"	12.0"	7.6"	IV
140G-PBS-C163	11,000	5,000	71"	22.6"- 105.1"	63"	5"	1.6"	43.3"	3403	1547	15.5"	11.8"	7.6"	IV
140G-PBS-C171	11,000	5,000	73"	28.5"- 116.9"	47"	4"	0.8"	47.2"	3060	1391	10.8"	12.3"	7.6"	IV
140G-PBS-C172	11,000	5,000	73"	27.8"- 116.1"	55"	4"	1.2"	47.2"	3300	1500	13.1"	12.0"	7.6"	IV
140G-PBS-C173	11,000	5,000	73"	26.6"- 115.0"	63"	5"	1.6"	47.2"	3485	1584	15.2"	11.9"	7.6"	IV
140G-PBS-C181	11,000	5,000	81"	28.5"- 124.8"	47"	4"	0.8"	55.1"	3199	1454	10.5"	12.4"	7.6"	IV
140G-PBS-C182	11,000	5,000	81"	27.8"- 124.0"	55"	4"	1.2"	55.1"	3439	1563	12.7"	12.1"	7.6"	IV
140G-PBS-C183	11,000	5,000	81"	26.6"- 122.8"	63"	5"	1.6"	55.1"	3626	1648	14.8"	11.9"	7.6"	IV
140G-PBS-C191	11,000	5,000	89"	28.5"- 132.7"	47"	4"	0.8"	63.0"	3340	1518	10.2"	12.4"	7.6"	IV
140G-PBS-C192	11,000	5,000	89"	27.8"- 131.9"	55"	4"	1.2"	63.0"	3579	1627	12.4"	12.2"	7.6"	IV
140G-PBS-C193	11,000	5,000	89"	26.6"- 130.7"	63"	5"	1.6"	63.0"	3766	1712	14.4"	12.0"	7.6"	IV

- ▶ Standard arm facing is smooth round bar which reduces potential for tearing the bale wrapper.
- ▶ Optional higher friction re-bar arm facing is available upon request.

- ▶ Button facing is an option which minimizes the potential for damaging the wire wrapped around the unitized load.
- ▶ Standard open and close on right hand, sideshift connection on left hand of valve. Cascade can supply open and close on left hand and SS on right hand side of valve. Contact Cascade.

HYDRAULIC FUNCTIONS

Hydraulic Functions	Truck Aux. Valves Required
2	2
* For optional Non-Sideshifting models	
1	1

HYDRAULIC FLOW & PRESSURE

Min. Flow	Recommended Flow	Max. Flow	Max. Pressure
10 GPM	15 GPM	23 GPM	2300 PSI