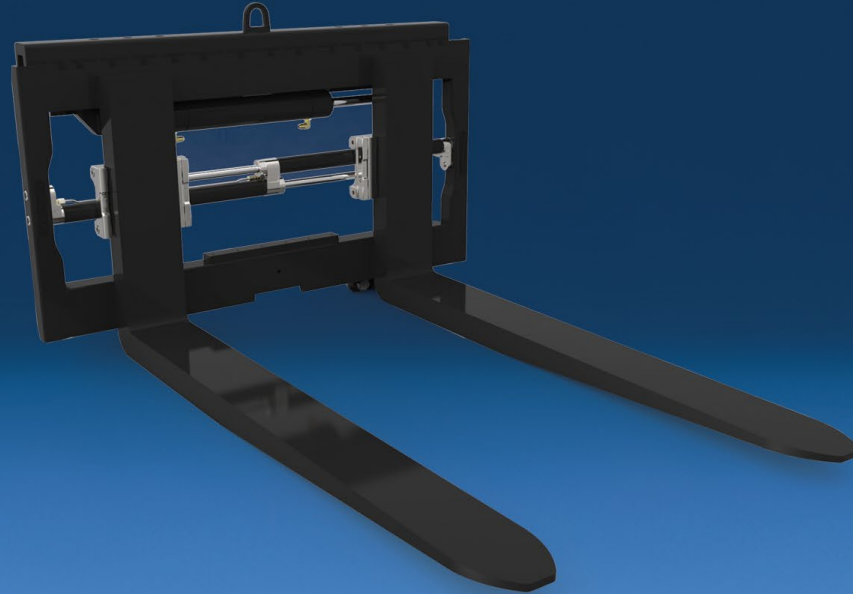


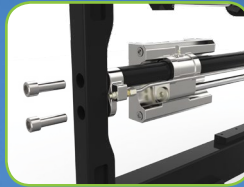
Fork Positioning for High Capacity Warehousing, Manufacturing and Distribution



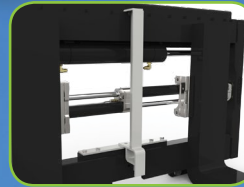
OEM load backrest compatibility



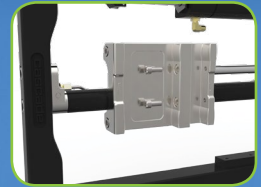
Excellent operator visibility



No-weld installation



Optional bolt-on pallet protector



Adjustable fork carriers

APPLICATIONS

The class IV sideshifting fork positioners allow drivers to position forks accurately for a variety of pallet configurations, without ever leaving their seat. These new generation fork positioners are easy to install, have excellent lost load, and can handle an array of challenging applications.

Recommended for logistic operations in distribution, warehouse and manufacturing applications, these class IV fork positioners are very rugged and compact. They have excellent visibility both over, and through the frames, allowing the operator to quickly, accurately, and easily position the forks at all lift heights, right from the driver's seat.

FEATURES

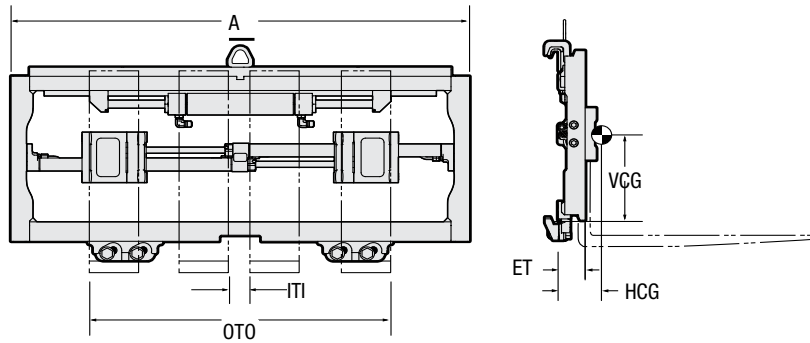
- OEM load backrest compatibility.
- Excellent operator visibility.
- No-weld installation.
- Zinc-plated, corrosion resistant components.
- 5", 6" and 7" wide center-mount fork carriers.
- Center-mount fork carriers.

OPTIONS

- Bolt-on pallet protector/cylinder guard combinations.
- Load backrests.
- Bronze bearings.
- Bronze lower hooks.
- Radio Frequency (RF) Hydraulic Control.
- Solenoid Valve Hydraulic Control.
- Sequence Valve Hydraulic Control.
- Non-Sideshifting (FPB) units available.

120K FORK POSITIONER

IMPORTANT: OSHA or State regulations may require the installation of backrests.



Sideshifting Fork Positioner

Catalog Order No.	Capacity @ 24" (600 mm) Load Center		Carriage Width w/o Load Backrest	Opening Range	Fork Pocket Width	Mtg. Class	Min. Truck Carriage Width	Weight		Effective Thickness	Horizontal Center of Gravity	Vertical Center of Gravity	Total Sideshift Load Backrest Type	
	lbs	kg						lbs	kg					
Cascade														
120K-FPS-C051	12,000	5,500	49.0"	3.8"-43.1"	7" ②	IV	41.9"	425	193	3.1"	1.8"	14.6"	8"	C
120K-FPS-C052	12,000	5,500	61.0"	3.8"-55.1"	7" ②	IV	50.9"	508	231	3.1"	1.8"	14.8"	8"	C
Caterpillar														
120K-FPS-C125 ①	12,000	5,500	44.3"	3.8"-38.3"	7" ②	IV	41.9"	411	187	3.1"	1.6"	14.6"	8"	B
120K-FPS-C122	12,000	5,500	46.9"	3.8"-40.9"	7" ②	IV	41.9"	422	192	3.1"	1.8"	14.6"	8"	A
120K-FPS-C127 ①	12,000	5,500	46.9"	3.8"-40.9"	7" ②	IV	41.9"	422	192	3.1"	1.8"	14.6"	8"	A
120K-FPS-C128 ①	12,000	5,500	59.1"	3.8"-53.1"	7" ②	IV	50.9"	493	224	3.1"	1.8"	14.8"	8"	A
120K-FPS-C123	12,000	5,500	59.1"	3.8"-53.1"	7" ②	IV	50.9"	493	224	3.1"	1.6"	14.8"	8"	A
120K-FPS-C126	12,000	5,500	60.0"	3.8"-54.1"	7" ②	IV	50.9"	504	229	3.1"	1.8"	14.8"	8"	B
Clark														
120K-FPS-C001	12,000	5,500	49.0"	3.8"-43.1"	7" ②	IV	41.9"	425	193	3.1"	1.8"	14.6"	8"	A
Hamech														
120K-FPS-C067	12,000	5,500	46.8"	3.8"-40.9"	7" ②	IV	41.9"	422	192	3.1"	1.8"	14.6"	8"	A
Hyundai														
120K-FPS-C061	12,000	5,500	55.0"	3.8"-49.1"	7"	IV	50.9"	482	219	3.1"	1.6"	14.8"	8"	A
Hyster														
120K-FPS-C021	12,000	5,500	42.0"	3.8"-36.1"	7" ②	IV	41.9"	400	182	3.1"	1.6"	14.8"	8"	B
120K-FPS-C018	12,000	5,500	47.2"	3.8"-41.3"	7" ②	IV	41.9"	425	193	3.1"	1.8"	14.6"	8"	B
120K-FPS-C022	12,000	5,500	48.0"	3.8"-42.0"	7" ②	IV	41.9"	427	194	3.1"	1.8"	14.6"	8"	B
120K-FPS-C023	12,000	5,500	54.0"	3.8"-48.1"	7" ②	IV	50.9"	477	217	3.1"	1.6"	14.8"	8"	B
120K-FPS-C024	12,000	5,500	60.0"	3.8"-54.1"	7" ②	IV	50.9"	504	229	3.1"	1.8"	14.8"	8"	B
Komatsu														
120K-FPS-C067	12,000	5,500	46.8"	3.8"-40.9"	7" ②	IV	41.9"	422	192	3.1"	1.8"	14.6"	8"	A
Mitsubishi														
120K-FPS-C125 ①	12,000	5,500	44.3"	3.8"-38.3"	7" ②	IV	41.9"	411	187	3.1"	1.6"	14.6"	8"	B
120K-FPS-C127 ①	12,000	5,500	46.9"	3.8"-40.9"	7" ②	IV	41.9"	422	192	3.1"	1.8"	14.6"	8"	A
120K-FPS-C122	12,000	5,500	46.9"	3.8"-40.9"	7" ②	IV	41.9"	422	192	3.1"	1.8"	14.6"	8"	A
120K-FPS-C123	12,000	5,500	59.1"	3.8"-53.1"	7" ②	IV	50.9"	493	224	3.1"	1.6"	14.8"	8"	A
120K-FPS-C128 ①	12,000	5,500	59.1"	3.8"-53.1"	7" ②	IV	50.9"	493	224	3.1"	1.8"	14.8"	8"	A
120K-FPS-C126	12,000	5,500	60.0"	3.8"-54.1"	7" ②	IV	50.9"	504	229	3.1"	1.8"	14.8"	8"	A
TCM														
120K-FPS-C082 ①	12,000	5,500	51.2"	3.8"-45.2"	7" ②	IV	50.9"	460	209	3.1"	1.6"	15.0"	8"	A
Toyota														
120K-FPS-C032	12,000	5,500	46.1"	3.8"-40.1"	7" ②	IV	41.9"	418	190	3.1"	1.6"	14.6"	8"	A
120K-FPS-C033 ①	12,000	5,500	46.1"	3.8"-40.1"	7" ②	IV	41.9"	418	190	3.1"	1.6"	14.6"	8"	A
Tusk														
120K-FPS-C067	12,000	5,500	46.8"	3.8"-40.9"	7" ②	IV	41.9"	422	192	3.1"	1.8"	14.6"	8"	A
Yale														
120K-FPS-C021	12,000	5,500	42.0"	3.8"-36.1"	7" ②	IV	41.9"	400	182	3.1"	1.6"	14.8"	8"	B
120K-FPS-C018	12,000	5,500	47.3"	3.8"-41.3"	7" ②	IV	41.9"	425	193	3.1"	1.8"	14.6"	8"	B
120K-FPS-C022	12,000	5,500	48.0"	3.8"-42.0"	7" ②	IV	41.9"	427	194	3.1"	1.8"	14.6"	8"	B
120K-FPS-C026	12,000	5,500	48.0"	3.8"-42.0"	7" ②	IV	41.9"	427	194	3.1"	1.8"	14.6"	8"	A
120K-FPS-C027	12,000	5,500	54.0"	3.8"-48.1"	7" ②	IV	50.9"	477	217	3.1"	1.6"	14.8"	8"	A
120K-FPS-C028	12,000	5,500	60.0"	3.8"-54.1"	7" ②	IV	50.9"	504	229	3.1"	1.8"	14.8"	8"	A

① Compatible with current OEM production.

② Fork Pocket Width adjustable to 5" and 6" wide forks. Add 4.3" or 2.3" to Minimum Opening Range, respectively.

► Load Backrest Types:

A: End hole patterns

B: Face hole patterns

C: Face hole patterns with counterbore

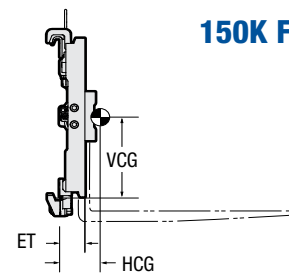
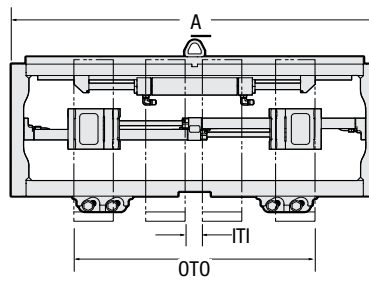
► For availability of Truck Specific Installation Kits, contact Cascade or submit OEM Truck Model and Mast Type when ordering.

► Forks are not included with attachment.

► Overall width (A dimension) is limited to 61.0" on 120/165K Series, 94.5" on 150K Series.

► For forks longer than 72", load centers exceeding 36", or to determine which Fork Positioner is best suited to your application, consult Cascade.

IMPORTANT: OSHA or State regulations may require the installation of backrests.



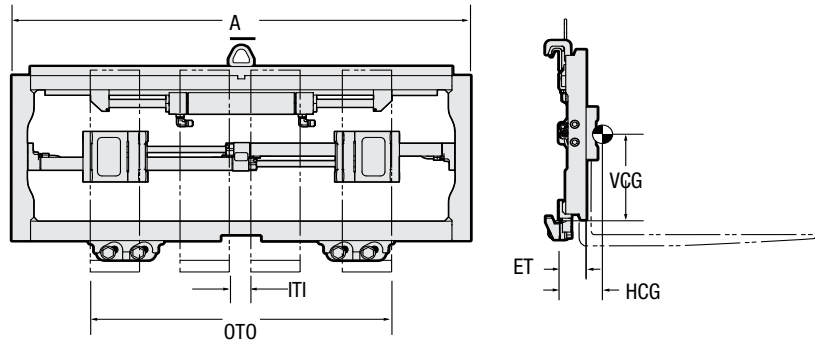
Sideshifting Fork Positioner

Catalog Order No.	Capacity @ 24" (600 mm) Load Center		Carriage Width w/o Load Backrest	Opening Range ITI-OTO	Fork Pocket Width	Mtg. Class	Min. Truck Carriage Width	Weight		Effective Thickness ET	Horizontal Center of Gravity HCG	Vertical Center of Gravity VCG	Total Sideshift	Load Backrest Type
	lbs	kg						lbs	kg					
Cascade														
150K-FPS-C051	15,000	7,000	49.0"	3.8"-43.1"	7" ②	IV	46.0"	447	203	3.1"	1.6"	14.8"	12"	C
150K-FPS-C053	15,000	7,000	61.0"	3.8"-55.1"	7" ②	IV	48.0"	557	253	3.1"	1.8"	14.0"	12"	C
150K-FPS-C055	15,000	7,000	72.0"	3.8"-67.1"	7"	IV	60.0"	878	399	4.5"	2.2"	14.1"	12"	C
Caterpillar / Mitsubishi / MCFA														
150K-FPS-C035	15,000	7,000	44.3"	3.8"-38.3"	7" ②	IV	41.9"	398	181	3.1"	1.6"	14.8"	8"	B
150K-FPS-C032	15,000	7,000	46.6"	3.8"-40.7"	7" ②	IV	46.0"	429	195	3.1"	1.6"	15.0"	12"	B
150K-FPS-C017	15,000	7,000	46.9"	3.8"-40.9"	7" ②	IV	46.0"	429	195	3.1"	1.6"	15.0"	12"	A
150K-FPS-C094	15,000	7,000	46.9"	3.8"-40.9"	7" ②	IV	46.0"	429	195	3.1"	1.6"	15.0"	12"	A
150K-FPS-C031	15,000	7,000	47.8"	3.8"-41.9"	7" ②	IV	46.0"	433	197	3.1"	1.6"	15.0"	12"	B
150K-FPS-C033	15,000	7,000	47.8"	3.8"-41.9"	7" ②	IV	46.0"	433	197	3.1"	1.6"	15.0"	12"	B
150K-FPS-C110 ①	15,000	7,000	51.0"	3.8"-45.1"	7" ②	IV	46.0"	453	206	3.1"	1.8"	15.2"	12"	B
150K-FPS-C095	15,000	7,000	59.1"	3.8"-53.1"	7" ②	IV	48.0"	548	249	3.1"	1.8"	14.0"	12"	A
150K-FPS-C108	15,000	7,000	59.1"	3.8"-53.1"	7" ②	IV	48.0"	548	249	3.1"	1.8"	14.0"	12"	A
150K-FPS-C111	15,000	7,000	60.0"	3.8"-54.1"	7" ②	IV	48.0"	552	251	3.1"	1.8"	14.0"	12"	B
150K-FPS-C109	15,000	7,000	70.9"	3.8"-65.9"	7" ②	IV	60.0"	871	396	4.5"	2.2"	14.2"	12"	A
Clark														
150K-FPS-C049	15,000	7,000	49.0"	3.8"-43.1"	7" ②	IV	46.0"	447	203	3.1"	1.6"	14.8"	12"	C
150K-FPS-C050	15,000	7,000	61.0"	3.8"-55.1"	7" ②	IV	48.0"	557	253	3.1"	1.6"	14.0"	12"	C
150K-FPS-C061	15,000	7,000	49.0"	3.8"-43.1"	7" ②	IV	46.0"	429	195	3.1"	1.6"	15.0"	12"	A
150K-FPS-C062 ①	15,000	7,000	55.0"	3.8"-49.1"	7" ②	IV	48.0"	526	239	3.1"	1.6"	14.2"	12"	A
150K-FPS-C063	15,000	7,000	61.0"	3.8"-55.1"	7" ②	IV	48.0"	557	253	3.1"	1.6"	14.0"	8"	A
Hyster Yale														
150K-FPS-C001	15,000	7,000	42.0"	3.8"-36.1"	7" ②	IV	41.9"	396	180	3.1"	1.6"	14.8"	8"	B
150K-FPS-C025 ①	15,000	7,000	42.0"	3.8"-36.1"	7"	IV	41.9"	396	180	3.1"	1.6"	14.8"	8"	C
150K-FPS-C002	15,000	7,000	48.0"	3.8"-42.0"	7" ②	IV	46.0"	433	197	3.1"	1.6"	15.0"	12"	B
150K-FPS-C024 ①	15,000	7,000	48.0"	3.8"-42.0"	7"	IV	46.0"	433	197	3.1"	1.6"	15.0"	12"	C
150K-FPS-C041	15,000	7,000	48.0"	3.8"-42.0"	7" ②	IV	46.0"	433	197	3.1"	1.6"	15.0"	12"	A
150K-FPS-C042	15,000	7,000	54.0"	3.8"-48.1"	7" ②	IV	48.0"	521	237	3.1"	1.6"	14.2"	12"	A
150K-FPS-C003	15,000	7,000	60.0"	3.8"-54.1"	7" ②	IV	48.0"	552	251	3.1"	1.8"	14.0"	12"	B
150K-FPS-C026 ①	15,000	7,000	60.0"	3.8"-54.1"	7"	IV	48.0"	552	251	3.1"	1.8"	14.0"	12"	C
150K-FPS-C043	15,000	7,000	60.0"	3.8"-54.1"	7"	IV	48.0"	552	251	3.1"	1.8"	14.0"	8"	A
150K-FPS-C004	15,000	7,000	78.0"	3.8"-73.0"	7" ②	IV	72.0"	915	416	4.5"	2.2"	14.1"	12"	A
Hyundai														
150K-FPS-C601	15,000	7,000	63.0"	3.8"-58.1"	7" ②	IV	53.6"	799	363	4.5"	2.2"	14.1"	8"	A
150K-FPS-C602	15,000	7,000	78.3"	3.8"-73.4"	7" ②	IV	72.0"	933	424	4.5"	2.2"	14.3"	8"	A
150K-FPS-C603	15,000	7,000	78.3"	3.8"-73.4"	7" ②	IV	72.0"	935	425	4.5"	2.2"	14.3"	12"	A
150K-FPS-C604	15,000	7,000	86.2"	3.8"-81.3"	7" ②	IV	82.0"	1,008	458	4.5"	2.2"	14.3"	12"	A
150K-FPS-C605	15,000	7,000	86.2"	3.8"-81.3"	7" ②	IV	82.0"	1,005	457	4.5"	2.2"	14.3"	8"	A
Komatsu / Hamech														
150K-FPS-C074	15,000	7,000	50.0"	3.8"-44.1"	7" ②	IV	46.0"	451	205	3.1"	1.8"	15.0"	12"	A
150K-FPS-C021	15,000	7,000	52.0"	3.8"-46.1"	7" ②	IV	46.0"	497	226	3.1"	1.8"	14.0"	12"	C
150K-FPS-C078	15,000	7,000	52.0"	3.8"-46.1"	7" ②	IV	46.0"	497	226	3.1"	1.8"	14.0"	12"	A
150K-FPS-C022	15,000	7,000	54.0"	3.8"-48.1"	7" ②	IV	48.0"	521	237	3.1"	1.6"	14.0"	12"	C
150K-FPS-C075	15,000	7,000	59.4"	3.8"-53.5"	7" ②	IV	48.0"	550	250	3.1"	1.8"	14.0"	12"	A
150K-FPS-C098	15,000	7,000	67.7"	3.8"-62.8"	7" ②	IV	59.1"	845	384	4.5"	2.2"	14.1"	12"	A
150K-FPS-C099	15,000	7,000	72.0"	3.8"-67.1"	7" ②	IV	60.0"	878	399	4.5"	2.2"	14.1"	12"	A
150K-FPS-C100	15,000	7,000	91.7"	3.8"-86.8"	7" ②	IV	82.0"	1,049	477	4.5"	2.2"	14.3"	12"	A

continued next page

- ① Compatible with current OEM production.
- ② Fork Pocket Width adjustable to 5" and 6" wide forks. Add 4.3" or 2.3" to Minimum Opening Range, respectively.
- ▶ Load Backrest Types:
 - A: End hole patterns
 - B: Face hole patterns
 - C: Face hole patterns with counterbore
- ▶ For availability of Truck Specific Installation Kits contact Cascade or submit OEM Truck Model and Mast Type when ordering.
- ▶ Forks are not included with attachment.
- ▶ Overall width (A dimension) is limited to 61.0" on 120/165K Series, 94.5" on 150K Series.
- ▶ For forks longer than 72", load centers exceeding 36", or to determine which Fork Positioner is best suited to your application, consult Cascade.

IMPORTANT: OSHA or State regulations may require the installation of backrests.



150K Sideshifting Fork Positioner, ctd.

Catalog Order No.	Capacity @ 24" (600 mm) Load Center		Carriage Width w/o Load Backrest	Opening Range	Fork Pocket Width	Mtg. Class	Min. Truck Carriage Width	Weight		Effective Thickness	Horizontal Center of Gravity	Vertical Center of Gravity	Total Sideshift	Load Backrest Type
	lbs	kg						lbs	kg					
Linde														
150K-FPS-C013	15,000	7,000	70.9"	3.8"-66.0"	7" ②	IV	60.0"	871	396	4.5"	2.2"	14.2"	12"	B
150K-FPS-C014	15,000	7,000	85.8"	3.8"-80.9"	7" ②	IV	82.0"	997	453	4.5"	2.2"	14.2"	12"	B
150K-FPS-C012	15,000	7,000	94.5"	3.8"-89.6"	7" ②	IV	82.0"	1,069	486	4.5"	2.2"	14.3"	12"	C
Nissan														
150K-FPS-C071	15,000	7,000	59.0"	3.8"-53.1"	7" ②	IV	48.0"	548	249	3.1"	1.8"	14.0"	12"	A
150K-FPS-C072	15,000	7,000	74.8"	3.8"-69.9"	7" ②	IV	70.5"	904	411	4.5"	2.2"	14.2"	12"	A
TCM														
150K-FPS-C082	15,000	7,000	72.6"	3.8"-67.7"	7" ②	IV	60.0"	882	401	4.5"	2.2"	14.1"	12"	A
Toyota														
150K-FPS-C086 ④	15,000	7,000	46.1"	3.8"-40.1"	7" ②	IV	46.0"	425	193	3.1"	1.6"	15.0"	12"	A
150K-FPS-C087 ①②	15,000	7,000	46.1"	3.8"-40.1"	7" ②	IV	46.0"	425	193	3.1"	1.6"	15.0"	12"	A
150K-FPS-C085 ④	15,000	7,000	66.9"	3.8"-62.0"	7" ②	IV	60.0"	840	382	4.5"	2.2"	14.1"	12"	A
150K-FPS-C089 ②	15,000	7,000	66.9"	3.8"-62.0"	7" ②	IV	60.0"	840	382	4.5"	2.2"	14.1"	12"	A

165K Sideshifting Fork Positioner

Catalog Order No.	Capacity @ 24" (600 mm) Load Center		Carriage Width w/o Load Backrest	Opening Range	Fork Pocket Width	Mtg. Class	Min. Truck Carriage Width	Weight		Effective Thickness	Horizontal Center of Gravity	Vertical Center of Gravity	Total Sideshift	Load Backrest Type
	lbs	kg						lbs	kg					
Cascade														
165K-FPS-C051	16,500	7,500	49.0"	3.8"-43.1"	7" ②	IV	46.0"	484	220	3.1"	1.8"	14.0"	12"	C
165K-FPS-C053	16,500	7,500	61.0"	3.8"-55.1"	7" ②	IV	55.1"	565	257	3.1"	1.6"	14.2"	12"	C

① Compatible with current OEM production.

② Fork Pocket Width adjustable to 5" and 6" wide forks. Add 4.3" or 2.3" to Minimum Opening Range, respectively.

② Uses 2 bolt mounting configuration

④ Uses 4 bolt mounting configuration

- ▶ Load Backrest Types:
 - A: End hole patterns
 - B: Face hole patterns
 - C: Face hole patterns with counterbore

▶ For availability of Truck Specific Installation Kits contact Cascade or submit OEM Truck Model and Mast Type when ordering.

▶ Forks are not included with attachment.

▶ Overall width (A dimension) is limited to 61.0" on 120/165K Series, 94.5" on 150K Series.

▶ For forks longer than 76", load centers exceeding 36", or to determine which Fork Positioner is best suited to your application, consult Cascade.

HYDRAULIC FUNCTIONS

Model	Hydraulic Functions	Truck Auxiliary Valves Required
FPS	2	2
FPB	1	1

HYDRAULIC FLOW & PRESSURE

Maximum Pressure	Number of Functions	Min-Rec-Max Function 1	Min-Rec-Max Function 2
3,500 psi	2	1 - 4 - 5	1 - 4 - 5