



Great visibility, fast rotation, increased versatility for skid-steer loaders

APPLICATIONS

30G and 40G Rotators are designed to give your driver the best possible visibility while quickly inverting loads. Cascade rotators are widely used in recycling, manufacturing, construction, agriculture and demolition operations where bins or tote boxes are used for both dumping and general handling requirements.

FEATURES

- **Proven Rugged Construction-** Cascade's gear drive box and ring gear design provides superior service life.
- **Center Bearing Seal-** locks out contamination and brine for extended life in fish & brine applications.
- **Visibility-** The G-Series Rotators provide superior visibility through the center, side, and over the top of the rotator.
- **Rotational Torque-** High torque motor, ensures smooth, positive rotation of the load.
- **Forks-** Rotators may be ordered with standard forks, custom forks or without forks.
- **Mounting-** Universal quick attach style, compliant with SAE J2513.

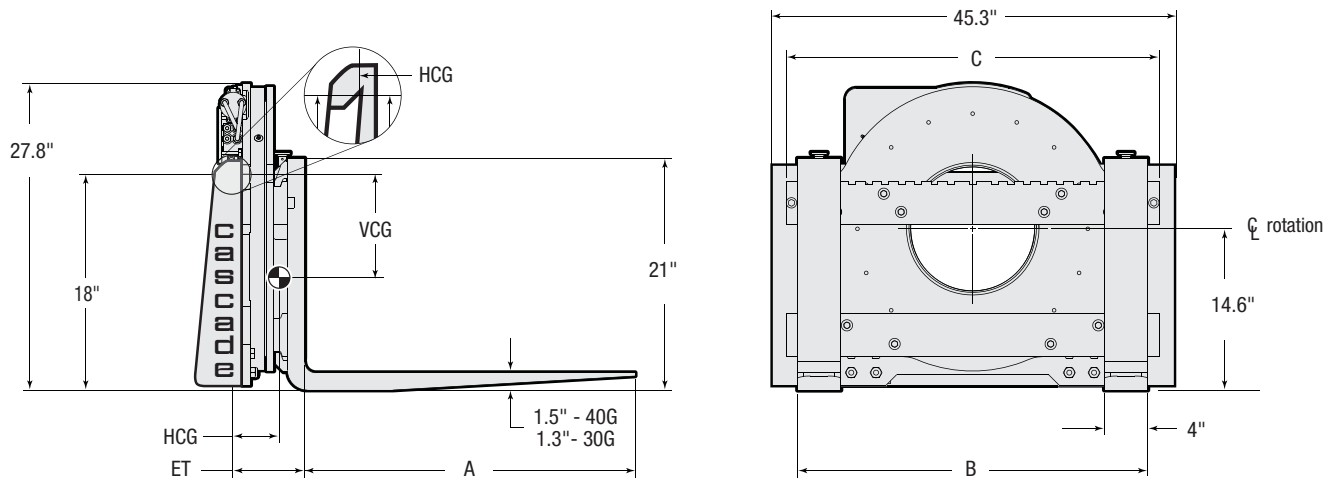
OPTIONS

- **180° Rotation Stop Group-** Used when stopping rotation at precisely 180° is desirable.
- **Customizable fork bars-** Allowing for application specific fork spread.
- **Bin Retainer-** Custom designed to clamp on top of bin to hold bin in place while rotating. Typically used when bin does not have fork pockets.
- **Special fork sizes** and configurations available.
- **Side Stabilizers**
- **Fork Side Restraints**
- **Integrated Pressure Relief**



Adds versatility to any fork handling application.

30G/40G ROTATORS



360° Rotation

Capacity @ 24" Load Center		Fork Length	Maximum OTO Fork Spread	Catalog Order No.	Mounting	Weight		Effective Thickness	Horizontal Ctr. of Gravity	Vertical Ctr. of Gravity	Forkbar Width
lbs	kg	A	B			lbs	kg	ET	HCG	VCG	C
3,000	1,365	w/o forks	32.0"	30G-RRB-10S	SAE	504	228	4.6"	1.5"	5.1"	33.9"
3,000	1,365	w/o forks	37.0"	30G-RRB-20S	SAE	516	234	4.6"	1.5"	5.1"	39.0"
3,000	1,365	30"	32.0"	30G-RRB-11S	SAE	638	289	5.9"	3.5"	6.5"	33.9"
3,000	1,365	30"	37.0"	30G-RRB-21S	SAE	651	295	5.9"	3.5"	6.5"	39.0"
3,000	1,365	36"	32.0"	30G-RRB-12S	SAE	657	298	5.9"	4.1"	6.8"	33.9"
3,000	1,365	36"	37.0"	30G-RRB-22S	SAE	669	303	5.9"	4.1"	6.8"	39.0"
3,000	1,365	42"	32.0"	30G-RRB-13S	SAE	675	306	5.9"	5.1"	7.1"	33.9"
3,000	1,365	42"	37.0"	30G-RRB-23S	SAE	687	312	5.9"	5.1"	7.1"	39.0"
3,000	1,365	48"	32.0"	30G-RRB-14S	SAE	694	314	5.9"	6.1"	7.6"	33.9"
3,000	1,365	48"	37.0"	30G-RRB-24S	SAE	706	320	5.9"	6.1"	7.6"	39.0"
4,000	1,815	w/o forks	32.0"	40G-RRB-10S	SAE	518	235	4.7"	1.5"	5.1"	33.9"
4,000	1,815	w/o forks	37.0"	40G-RRB-20S	SAE	531	241	4.7"	1.5"	5.1"	39.0"
4,000	1,815	30"	32.0"	40G-RRB-11S	SAE	673	305	6.2"	3.8"	6.6"	33.9"
4,000	1,815	30"	37.0"	40G-RRB-21S	SAE	685	310	6.2"	3.8"	6.6"	39.0"
4,000	1,815	36"	32.0"	40G-RRB-12S	SAE	694	314	6.2"	4.4"	6.9"	33.9"
4,000	1,815	36"	37.0"	40G-RRB-22S	SAE	706	320	6.2"	4.4"	6.9"	39.0"
4,000	1,815	42"	32.0"	40G-RRB-13S	SAE	715	324	6.2"	5.4"	7.2"	33.9"
4,000	1,815	42"	37.0"	40G-RRB-23S	SAE	727	329	6.2"	5.4"	7.2"	39.0"
4,000	1,815	48"	32.0"	40G-RRB-14S	SAE	736	334	6.2"	6.5"	7.5"	33.9"
4,000	1,815	48"	37.0"	40G-RRB-24S	SAE	748	339	6.2"	6.5"	7.5"	39.0"

HYDRAULIC FUNCTIONS

Hydraulic Functions	Aux. Valves Required
1	1

HYDRAULIC FLOW & PRESSURE

Minimum Flow	Recommended Flow	Maximum Flow	Maximum Pressure ^①
5 GPM	7.5 GPM	10 GPM	2300 psi

① Specify optional pressure relief if auxiliary system exceeds 2300 psi.

ROTATOR SPECIFICATIONS

Model	Rotator Speed	Rotator Torque
30G ^②	8.3 RPM @ 38 LPM	36,000 inch-pounds
40G	7 RPM @ 38 LPM	40,000 inch-pounds

② Optional motor providing increased torque is available. Reduced speed will result.

Cascade Corporation • PO Box 20187 • Portland, OR 97294-0187 • USA • 800 CASCADE (227.2233) • Tel 503.669.6257 • Fax 800.693.3768 • Fax 503.669.6367
 Cascade Canada Ltd. • 5570 Timberlea Blvd. • Mississauga, Ontario L4W 4M6 • Canada • 800.380.2272 • Tel 905.629.7777 • Fax 905.629.7785