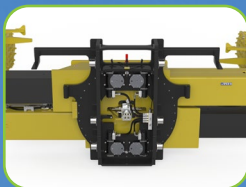
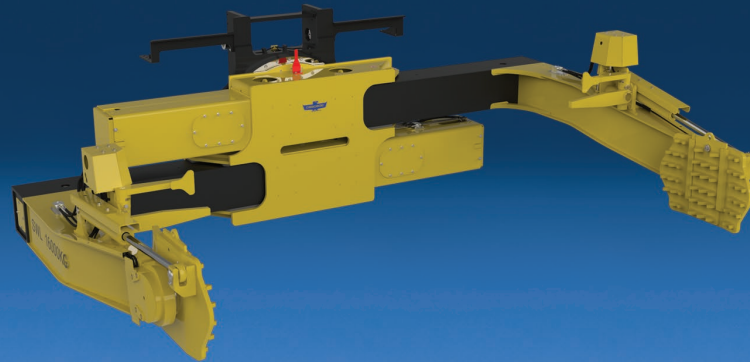
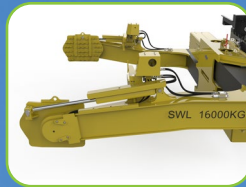


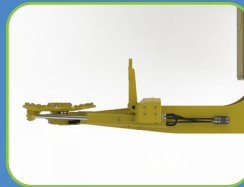
Move and Manipulate Off-the-Road Tires Efficiently



Superior visibility through and over the frame



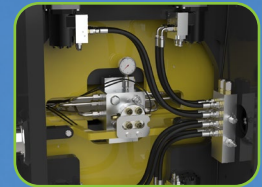
Forward tipping pad allows either 90° or 360° pad rotation



thin arm profile for hard to access tires



Slew Ring Rotation allows a choice of 360° rotation



Unitized control valve for fast fault diagnosis.

APPLICATIONS

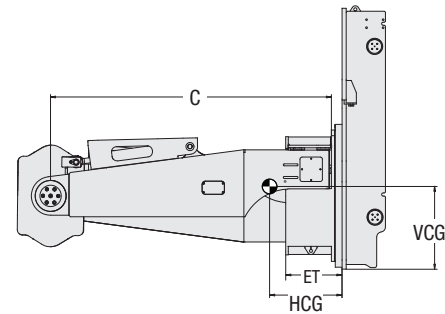
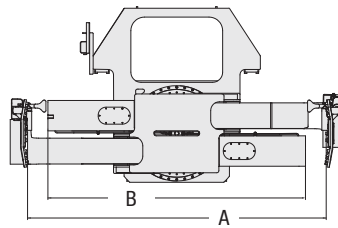
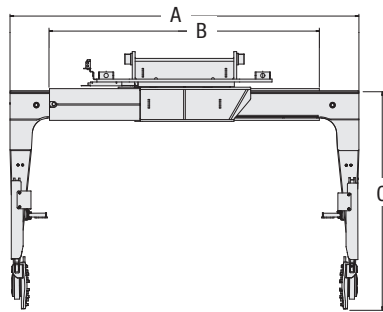
Designed to suit all Off-the-Road tire applications including manufacture, logistics, tire management and mine maintenance. The Cascade Tire Handler allows you to carefully handle OTR tires weighing up to 35,200 lbs. The ability to rotate, tip and sideshift the tire provides the flexibility needed to align the tire to the truck and complete the tire change without the lift truck driver leaving the cab of the lift truck.

FEATURES

- Superior visibility through and over the frame with a low maintenance sliding arm design.
- Rugged steel frame and rigid arm design for increased overall durability and capacity.
- Slewing ring gear allows 360° of rotation.
- Forward tipping pad available with either 90° or 360° of rotation.
- Lifting capacities of up to 35,200 lbs.
- Ability to handle tires ranging from 63"-161" in diameter and up to 74" wide. Site specific variations are available.
- All hoses are internally located to prevent damage.
- The thinnest profile arms in the industry for those hard to access tires minimizing risk to adjacent structures.
- Unitized control valve with individual test points for fast fault diagnosis.

OPTIONS

- Smaller capacities available.
- Non-Rotating models available for logistics operations.
- Multipurpose models available for handling other bulk freight.
- Special opening ranges available.
- Quick release pad options available for handling steel rims and protection chains.
- Mountings for Loaders, Lift Truck Carriages, Telehandlers and Cranes available.
- Joystick control system to operate all attachment functions (requires only two hydraulic hoses over the mast).



| Catalog Order No. | Capacity | | Opening (Between Pads) A | Narrow Base Tire (Diameter) Min-Max | Wide Base Tire (Diameter) Min-Max | Frame Width B | Arm Length C | Mounting Type | Effective Thickness ET | Horizontal Ctr. of Gravity HCG | Vertical Ctr. of Gravity VCG | Weight | |
|----------------------|----------|--------|-----------------------------|--|--------------------------------------|------------------|-----------------|---------------|---------------------------|-----------------------------------|---------------------------------|--------|-------|
| | lbs | kg | | | | | | | | | | lbs | kg |
| 30K-THR-0150 | 6,600 | 3,000 | 41"-118" | 53"-98" | 50"-100" | 104" | 59" | ITA 4 | 18.7" | 19.6" | 17.3" | 4,520 | 2,050 |
| 45K-THR-0170 | 9,900 | 4,500 | 51"-137" | 66"-116" | 65"-102" | 109" | 67" | Integral | 17.5" | 19.6" | 22.0" | 6,500 | 2,950 |
| 45K-THR-0200 | 9,900 | 4,500 | 51"-137" | 66"-116" | 65"-102" | 109" | 78" | Integral | 17.5" | 21.6" | 22.0" | 6,610 | 3,000 |
| 60K-THR-0200 | 13,200 | 6,000 | 51"-157" | 66"-131" | 65"-122" | 130" | 78" | Integral | 18.5" | 24.4" | 22.8" | 8,050 | 3,650 |
| 60K-THR-0230 | 13,200 | 6,000 | 51"-157" | 66"-140" | 65"-122" | 130" | 90" | Integral | 18.5" | 27.0" | 22.8" | 8,160 | 3,700 |
| 80K-THR-0230 | 17,600 | 8,000 | 53"-173" | 66"-140" | 65"-146" | 147" | 90" | Integral | 20.0" | 30.7" | 22.4" | 11,020 | 5,000 |
| 80K-THR-0250 | 17,600 | 8,000 | 53"-173" | 66"-153" | 65"-146" | 147" | 98" | Integral | 20.0" | 32.3" | 22.4" | 11,240 | 5,100 |
| 100K-THR-0250 | 22,000 | 10,000 | 53"-173" | 66"-158" | 65"-151" | 146" | 98" | Integral | 22.4" | 27.5" | 28.7" | 13,490 | 6,120 |
| 100K-THR-0280 | 22,000 | 10,000 | 53"-173" | 66"-158" | 65"-151" | 146" | 110" | Integral | 22.4" | 30.7" | 28.7" | 13,890 | 6,300 |
| 160K-THR-0250 | 35,200 | 16,000 | 53"-173" | 66"-158" | 65"-161" | 146" | 98" | Integral | 20.0" | 27.5" | 30.1" | 15,870 | 7,200 |
| 160K-THR-0280 | 35,200 | 16,000 | 53"-173" | 66"-158" | 65"-161" | 146" | 110" | Integral | 22.4" | 30.7" | 30.1" | 16,200 | 7,350 |

- ▶ When selecting a capacity from the above, always consider the combined tire, rim and potentially chain weights, beyond the diameters of those components.
- ▶ Models with rotation up to 360° in each direction.
- ▶ The above specifications are estimates. Each configuration may vary depending on the mounting design, consult Cascade.

- ▶ Consult Cascade for options such as rim pads, chain pads, transport and storage stands.
- ▶ Consult Cascade to assist recommending fall back arms and arm length, to assure the tire handler and the carrier are able to properly position tires. Also providing the needed clearance to other components such as hydraulic tanks, electric motors and more.

Hydraulic Flow & Pressure

| TH Series | Max. Pressure psi/bar | Flow gpm Min-Rec-Max |
|-----------|--------------------------|-------------------------|
| 30K | 2,100/145 | 8 - 13 - 16 |
| 45K | 2,100/145 | 11 - 20 - 29 |
| 60K | 2,300/159 | 11 - 20 - 29 |
| 80K | 2,300/159 | 11 - 20 - 29 |
| 100K | 2,300/159 | 11 - 20 - 32 |
| 160K | 2,300/159 | 11 - 20 - 32 |

Frame & Pad Rotation

| Model | Frame Rotation Deg. | Pad Rotation Deg. Std/Opt. |
|----------|---------------------|-------------------------------|
| 30K-THR | + /- 360 | 90/360 |
| 45K-THR | + /- 360 | 90/360 |
| 60K-THR | + /- 360 | 90/360 |
| 80K-THR | + /- 360 | 90/360 |
| 100K-THR | + /- 360 | 90/360 |
| 160K-THR | + /- 360 | 90 |