



Safe Loading of Furnaces and Forging Presses

APPLICATIONS

A safe and efficient method of handling forgings and castings when loading and unloading furnaces and forging presses.

FEATURES

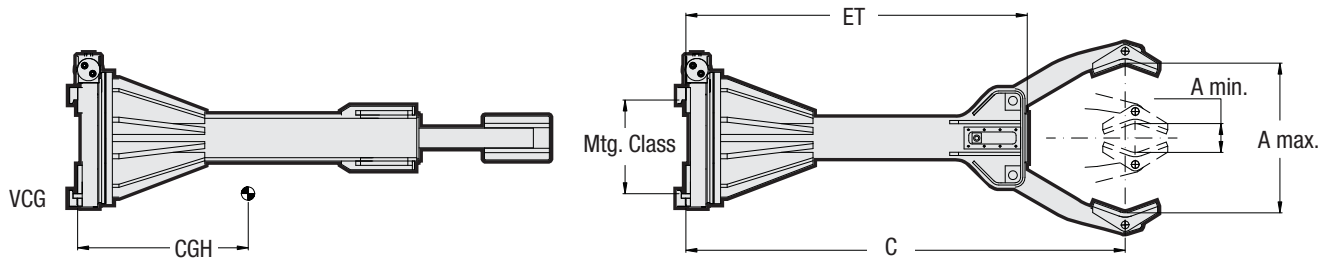
- 360° Rotation
- ITA hook mounting or pin type
- Protected cylinder for arm open/close
- Protected revolving connection and hoses
- Heavy Duty pivot bearings
- Heat treated pins

OPTIONS

- Custom arm design
- Special opening range
- Custom pad configuration
- Various capacities
- Custom mounting to fit your carriage
- Non revolving and revolving
- Motor options for speed & torque

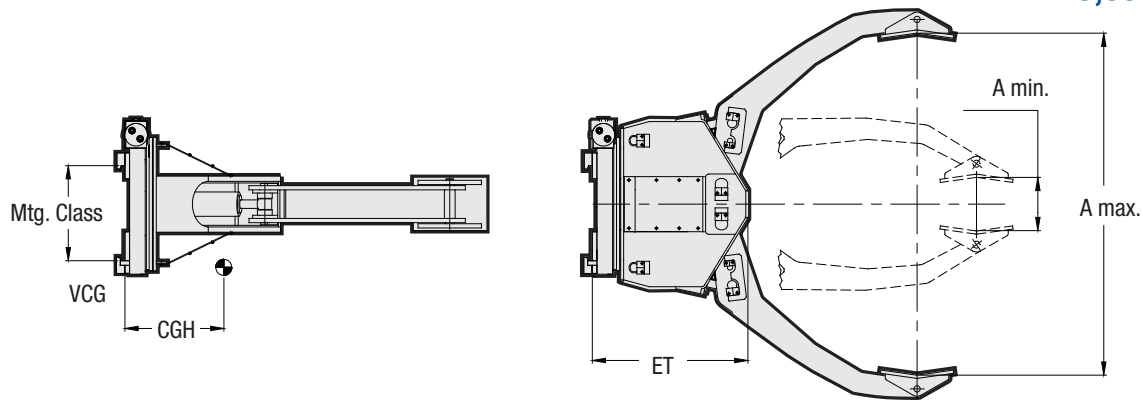


*A lift truck
attachment
designed for
forging
manipulation*



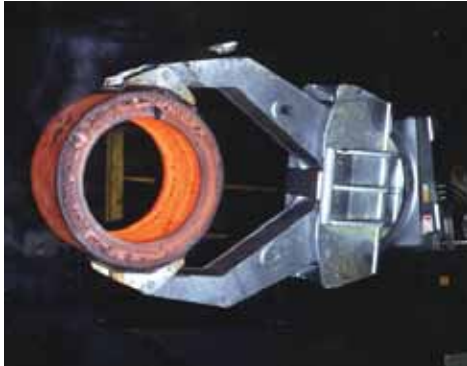
360° Revolving with Long Arm

Model	Capacity @ Load Center LBS @ In. (C)	Opening Range A (In.)	Effective Thickness ET (In.)	Horizontal Center of Gravity CGH (In.)	Vertical Center of Gravity VCG (In.)	Weight LBS	Mounting Class
MLG208A320710	1,760 @ 102	4 - 20	92	35	10	1,805	III
MLG314A320710	3,080 @ 90	4 - 47	67	30	12	2,135	IV
MLG320A320710	4,400 @ 102	4 - 51	77	38	12	2,600	IV



360° Revolving

Model	Capacity @ Diameter LBS @ In.	Opening Range A (In.)	Effective Thickness ET (In.)	Horizontal Center of Gravity CGH (In.)	Vertical Center of Gravity VCG (In.)	Weight LBS	Mounting Class ISO 2328
AFG323A180	5,060 @ 70	12 - 70	25.2	21.7	12	4,005	IV
AFG431A180	7,700 @ 70	12 - 70	29.5	25.6	12	5,170	IV
AFG441A180	9,900 @ 70	12 - 70	32.3	27.2	12	5,920	IV
AFG080A320	17,600 @ 126	20 - 126	53.2	44.1	-	10,185	Pin
AFG150A200	33,000 @ 79	12 - 79	26.8	24.8	-	11,505	Pin

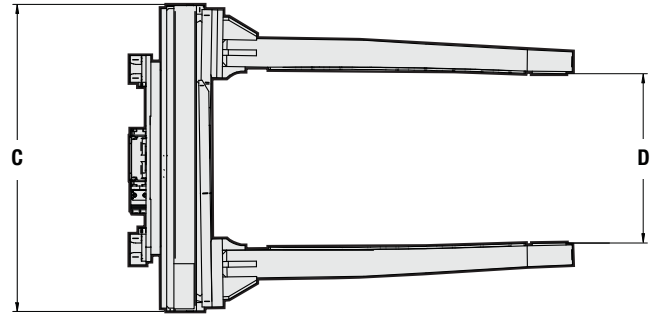
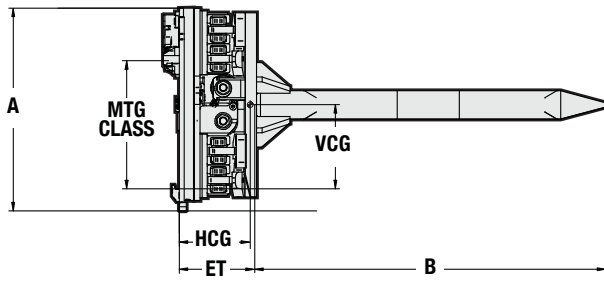


HYDRAULIC FUNCTIONS

Hydraulic Functions	Truck Aux. Valves Required
2	2

HYDRAULIC FLOW & PRESSURE

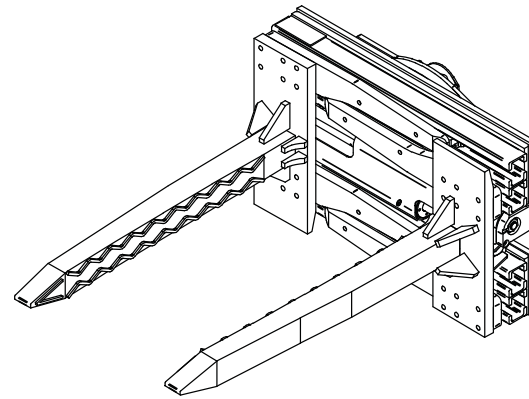
Min. Flow	Recom. Flow	Max. Flow	Max. Pressure
7 GPM	12 GPM	15 GPM	2300 PSI/159 BAR



Long Arm 360° Revolving

Model	Capacity @ 24" Load Center	Mounting Class	Weight	Effective Thickness	Center of Gravity	Vertical Center of Gravity	Frame Height	Arm Length	Frame width	Opening Range
	LBS.	ISO 2328	LBS	ET (In.)	CGH (In.)	VCG (In.)	A (In.)	B (In.)	C (In.)	D (In.)
70D-FRG	7,000	III	3,600	13.4	11.8	14	32	58	48	6 - 50
100D-FRG	10,000	IV	3,920	13.4	13.6	15	34.6	62	54	10 - 60
140D-FRG	14,000	IV	5,840	16.5	15.6	21	41.3	72	68	7 - 80
200D-FRG	20,000	①②	8,160	23	23.6	15	50	75	75	6 - 72
300D-FRG	30,000	①②	13,530	25	23	30	60	72	85	10 - 90
400D-FRG	40,000	①②	14,960	27.6	23.6	31.5	60	72	85	10 - 90

- ① Pin Mounting
- ② Integral Mounting



Arm Configurations

