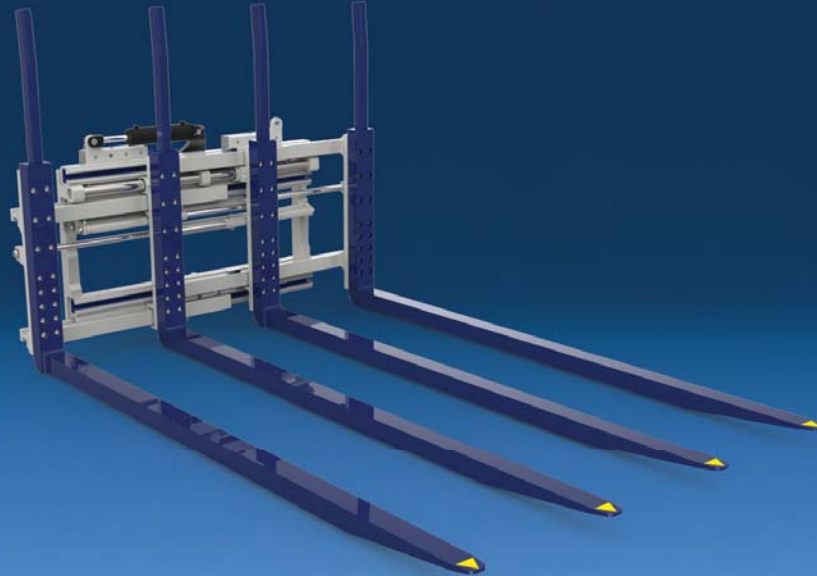


# Move One to Four Pallets With One Versatile Solution



Superior visibility



Bolt-on interchangeable forks



Fully enclosed UHMW bearings



Pin-mounted inner fork



Adjustable fork set spread

## APPLICATIONS

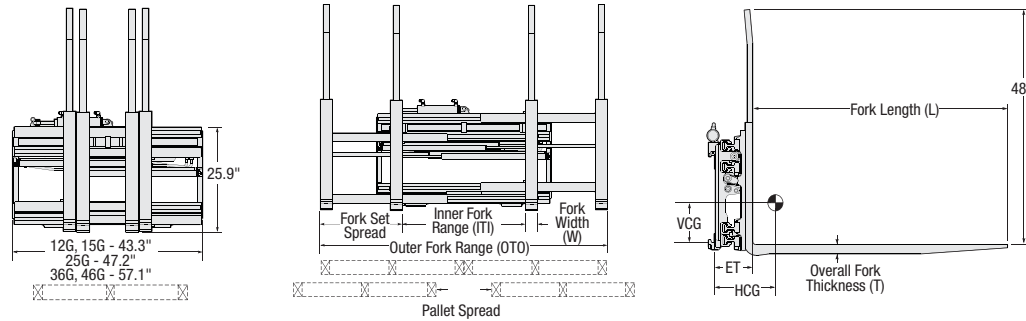
The Single-Double-Four Pallet Handler equipped with long forks allows you to move up to two pallets wide and two deep for a total of up to four pallets in one load. Move loads faster, minimize damage and stay competitive while helping your organization stay green by the realized energy savings. Designed for any application using pallets or containers to load trucks. Spreading the forks hydraulically allows handling of up to four pallets. Sideshifting provides added flexibility for aligning forks or pallets in tight areas.

## OPTIONS

- Various load backrest configuration heights, fork lengths and sections.
- Various fork set spreads and opening ranges.
- Quick-disconnect (QD) lower hooks.
- Drop shank forks—forks are lowered relative to the attachment frame.
- Independent fork set control—allows moving left or right fork set independent of the opposite fork set.
- Non-Sideshifting models available.

## FEATURES

- Superior visibility through and over the frame for damage free handling at all stacking heights.
- All steel frame for increased overall durability, eliminating flexing.
- Easy access cylinders can be resealed without removing for quick servicing.
- Bolt-on Interchangeable forks for low service cost.
- Full-length, fully enclosed wrap around UHMW plastic bearings provide maximum strength and full bearing support, greatly reducing wear on bearing surface.
- Inner forks mounted on a chrome pin for greater inner fork stability.
- Adjustable fork set spread for ability to handle a variety of pallets.



Sideshifting

Catalog Order No.	Capacity @ 48" (1200 mm) Load Center		Mtg. Class	Min. Truck Carriage Width	Weight		Effective Thickness	Horizontal Ctr. of Gravity	Vertical Ctr. of Gravity	Inner Fork Range	Outer Fork Range	Average Pallet Spread	Fork Set Spread	Fork Size
	lbs	kg			lbs	kg								
<b>36" x 36" Beverage Pallets</b>														
12G-FQS-A005	2,750	1,250	II	36.0"	1,365	620	9.1"	16.3"	8.5"	13.0"-32.1"	26.0"-80.1"	20.0"	24.0"	71" x 3.1" x 2.0"
12G-FQS-B005	2,750	1,250	III	36.0"	1,630	740	8.9"	16.3"	8.7"	13.0"-32.1"	26.0"-80.1"	20.0"	24.0"	71" x 3.1" x 2.0"
15G-FQS-B005	3,000	1,500	III	36.0"	1,490	675	9.3"	17.6"	8.3"	13.0"-32.1"	26.0"-80.1"	20.0"	24.0"	71" x 3.1" x 2.4"
25G-FQS-B005	5,000	2,500	III	41.9"	1,930	875	10.5"	16.3"	10.0"	13.0"-32.1"	26.0"-80.1"	20.0"	24.0"	71" x 3.1" x 2.4"
36G-FQS-C005	8,000	3,600	IV	53.9"	2,070	940	10.8"	15.6"	8.5"	13.0"-32.1"	26.0"-80.1"	20.0"	24.0"	71" x 3.1" x 2.6"
46G-FQS-C005	8,750	4,600	IV	53.9"	2,145	975	11.0"	16.0"	8.3"	13.0"-32.1"	26.0"-80.1"	20.0"	24.0"	71" x 3.1" x 2.8"
<b>48" x 40" Block and GMA Pallets ①</b>														
12G-FQS-A221	2,750	1,250	II	36.0"	1,475	670	9.1"	20.0"	8.0"	14.6"-28.7"	27.6"-82.7"	15.0"	27.0"	84" x 3.1" x 2.0"
12G-FQS-B221	2,750	1,250	III	36.0"	1,470	665	8.9"	20.0"	8.1"	14.6"-28.7"	27.6"-82.7"	15.0"	27.0"	84" x 3.1" x 2.0"
15G-FQS-B221	3,000	1,500	III	36.0"	1,620	735	9.3"	21.5"	7.7"	14.6"-28.7"	27.6"-82.7"	15.0"	27.0"	84" x 3.1" x 2.4"
25G-FQS-B221	5,000	2,500	III	41.9"	2,075	940	10.5"	19.7"	8.3"	14.6"-28.7"	27.6"-82.7"	15.0"	27.0"	84" x 3.1" x 2.4"
36G-FQS-C221	8,000	3,600	IV	53.9"	2,180	990	10.8"	19.3"	7.9"	14.6"-28.7"	27.6"-82.7"	15.0"	27.0"	84" x 3.1" x 2.6"
46G-FQS-C221	8,750	4,600	IV	53.9"	2,290	1,040	11.0"	19.5"	7.7"	14.6"-28.7"	27.6"-82.7"	15.0"	27.0"	84" x 3.1" x 2.8"
<b>44" x 56" Container Pallets</b>														
12G-FQS-A013	2,750	1,250	II	36.0"	1,620	735	9.1"	28.2"	6.8"	13.0"-28.1"	26.0"-80.0"	11.0"	26.0"	108" x 3.1" x 2.0"
12G-FQS-B013	2,750	1,250	III	36.0"	1,620	735	8.9"	28.2"	7.0"	13.0"-28.1"	26.0"-80.0"	11.0"	26.0"	108" x 3.1" x 2.0"
15G-FQS-B013	3,000	1,500	III	36.0"	1,800	815	9.3"	30.2"	6.5"	13.0"-28.1"	26.0"-80.0"	11.0"	26.0"	108" x 3.1" x 2.4"
25G-FQS-B013	5,000	2,500	III	41.9"	2,260	1,025	10.5"	27.6"	8.3"	13.0"-28.1"	26.0"-80.0"	11.0"	26.0"	108" x 3.1" x 2.4"
36G-FQS-C013	8,000	3,600	IV	53.9"	2,380	1,080	10.8"	26.6"	6.7"	13.0"-28.1"	26.0"-80.0"	11.0"	26.0"	108" x 3.1" x 2.6"
46G-FQS-C013	8,750	4,600	IV	53.9"	2,510	1,140	11.0"	27.2"	6.5"	13.0"-28.1"	26.0"-80.0"	11.0"	26.0"	108" x 3.1" x 2.8"

① This model can handle GMA type stringer and block pallets, including Chep Type III and Mark 55 pallets in both directions. The single-model fork positioning range is 15.0" to 21.0" in-to-in, or 27.5" to 33.5" out-to-out. Average pallet spread is 8.0" for both pallets. No additional truck auxiliary valves required, beyond the normal two auxiliary valves.

- ▶ Other fork lengths available.
- ▶ Right hand termination standard, left hand termination available at no charge.
- ▶ Plastic pallets may require modified fork dimensions. For other ranges or fork dimensions, consult Cascade.
- ▶ The outer fork tines are .2" higher than the inner fork tines.
- ▶ 8" (200 mm) total sideshift.

HYDRAULIC FLOW & PRESSURE

Sideshift	Fork Position	Operating Pressure
Min - Rec - Max (gpm)	Min - Rec - Max (gpm)	
1 - 2 - 3	4 - 7 - 7	2,900 psi

HYDRAULIC FUNCTIONS

Hydraulic Functions	Truck Auxiliary Valves Required
2	2



Single-Double Long Forks (FQS)