



Installation Instructions

G-Series Multi-Load Handler Class II & Class III Mounting Conversion Kits

This Installation sheet shows conversion kit parts and their location when converting a G-Series Multi-Load Handler to Class II or Class III mounting. Refer to Installation Manual 6070971 for complete attachment installation details.



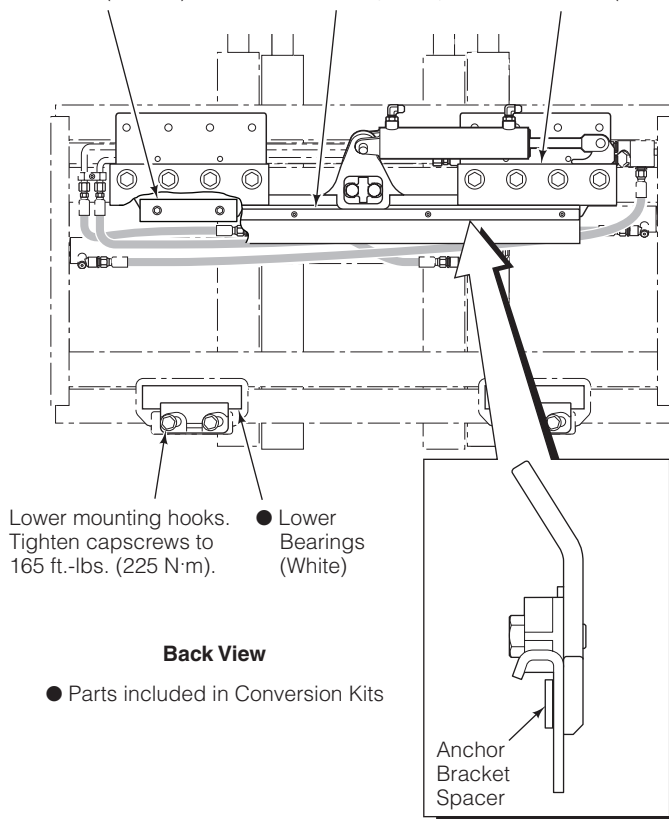
WARNING: Make sure the upper and lower sideshift bearings are in place and properly installed. Install lower hooks with required clearance and capscrew torque. See Installation Manual 6070971.

Class III → II Mounting Conversion Kit 6072574

Frame spacers installed in lower position. Tighten capscrews to 28 ft.-lbs. (38 N·m).

● **ADD** Anchor bracket spacer (Class II only). Tighten capscrews to 6 ft.-lbs. (8 N·m).

Upper hooks installed in lower position. Tighten capscrews to 165 ft.-lbs. (225 N·m).

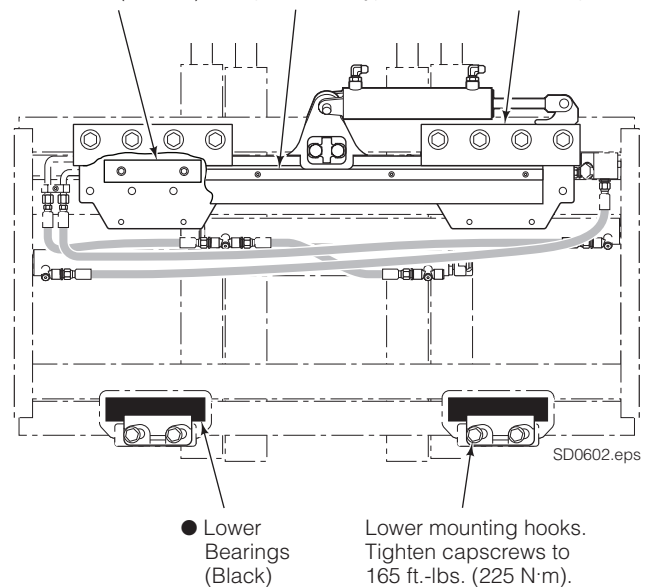


Class II → III Mounting Conversion Kit 6072573

Frame spacers installed in upper position. Tighten capscrews to 28 ft.-lbs. (38 N·m).

REMOVE Anchor bracket spacer (Class II only).

Upper hooks installed in upper position. Tighten capscrews to 165 ft.-lbs. (225 N·m).



NOTE: This information should not be interpreted as the basis for warranty claims unless so designated.

cascade[®] corporation

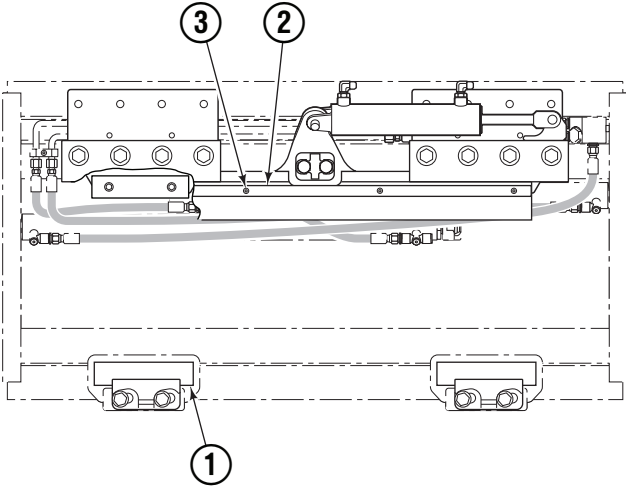
For Technical Support . . .

Call: 1-800-227-2233 Fax: 1-888-329-8207
Internet: www.cascorp.com
Write: Cascade Corporation, PO Box 20187, Portland, OR 97294

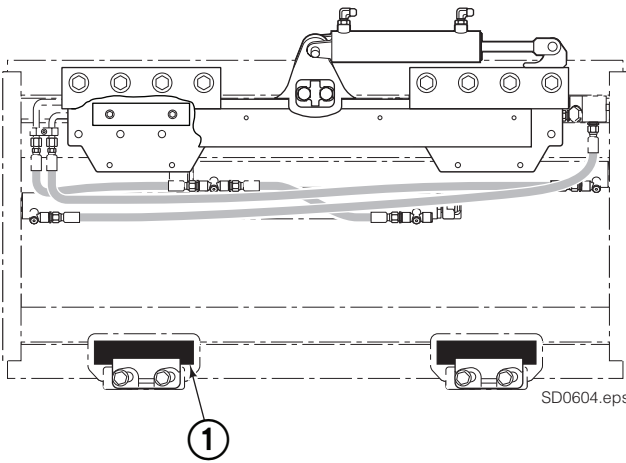
To Order Parts . . .

Call: 1-888-227-2233 Fax: 1-888-329-0234
Internet: www.cascorp.com
Write: Cascade Corporation, 2501 Sheridan Ave., Springfield, OH 45505

Parts Lists



REF	QTY	PART NO.	DESCRIPTION
		6072574	Conversion Kit – Class III → II
1	2	6070838	Lower Bearing – White
2	1	6125861	Spacer
3	4	768684	Capscrew, M6 x 10



REF	QTY	PART NO.	DESCRIPTION
		6072573	Conversion Kit – Class II → III
1	2	6070833	Lower Bearing – Black