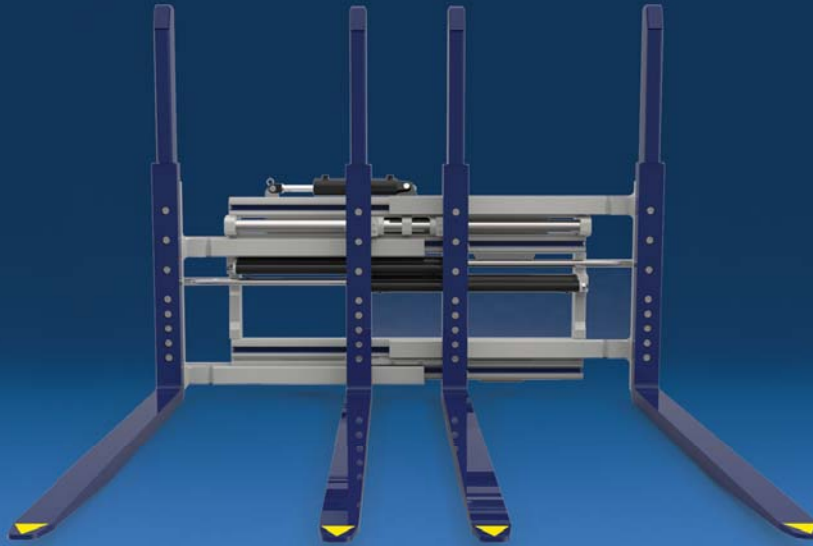


# Move More Loads Faster, Minimize Damage and Stay Competitive



Adjustable fork stop blocks to fit different pallet sizes



Fully enclosed wrap around UHMW bearings



Bolt-on interchangeable forks



Dual class II or III mountings



Superior visibility

## APPLICATIONS

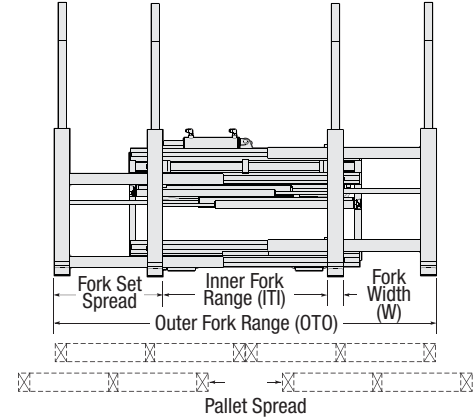
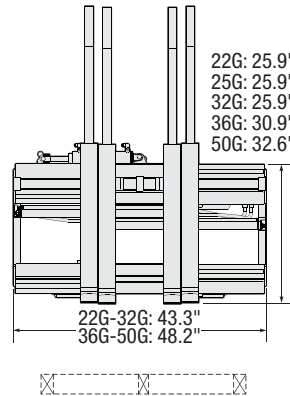
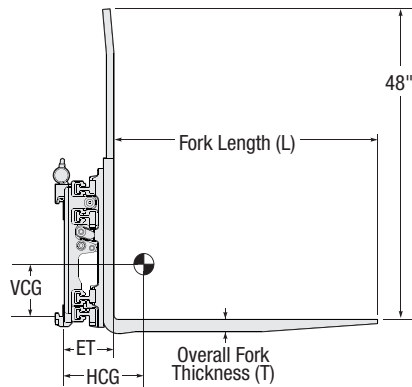
Designed for any application using pallets or containers to transport product, Cascade's Single-Double Pallet Handler allows single pallet handling without protrusion outside the truck profile. Spreading the forks hydraulically allows handling of two pallets side by side. Sideshifting provides added flexibility for aligning forks or pallets in tight areas.

## FEATURES

- Superior visibility through and over the frame for damage free handling at all stacking heights.
- All steel frame for increased overall durability, eliminating flexing.
- Easy access cylinders for quick servicing.
- Bolt-on Interchangeable forks for low service cost.
- Full-length, fully enclosed wrap around UHMW plastic bearings provide maximum strength and support, greatly reducing wear on bearing surface.
- Dual class II and III mountings, easily field converted.
- Inner forks mounted on a chrome pin for greater inner fork stability.
- Adjustable fork set spread for ability to handle different types of pallets.

## OPTIONS

- Various load backrest configuration heights, fork lengths and sections.
- Various fork set spreads and opening ranges.
- Quick-disconnect lower hooks.
- Drop shank forks—forks are lowered relative to the attachment frame.
- Independent fork set control—allows moving left or right fork set independent of the opposite fork set.
- Non-Sideshifting models available.



Catalog Order No.	Capacity@ 24" (600 mm) Load Center		Mtg. Class	Min. Truck Carriage Width	Weight		Effective Thickness ET	Horizontal Ctr. Of Gravity HCG	Vertical Ctr. of Gravity VCG	Inner Fork Range ITI	Outer Fork Range OTO	Avg. Pallet Spread	Fork Set Spread	Fork Size LxWxT
	lbs	kg			lbs	kg								
<b>36" x 36" Beverage Pallets</b>														
25G-FDS-A005	5,500	2,500	II	36.0"	1,080	490	8.9"	7.7"	10.9"	13.0-32.1"	26.0-80.1"	20.0"	24.0"	36.0" x 3.2" x 1.8"
25G-FDS-B005	5,500	2,500	III	36.0"	1,075	488	8.7"	7.5"	11.2"	13.0-32.1"	26.0-80.1"	20.0"	24.0"	36.0" x 3.2" x 1.8"
32G-FDS-B005	7,000	3,200	III	36.0"	1,130	513	8.9"	7.9"	11.6"	13.0-32.1"	26.0-80.1"	20.0"	24.0"	36.0" x 3.2" x 2.0"
36G-FDS-B005	8,000	3,600	III	38.6"	1,550	700	10.2"	8.2"	12.5"	13.0-32.1"	26.0-80.1"	20.0"	24.0"	36.0" x 3.2" x 2.4"
50G-FDS-C005	10,000	5,000	IV	38.6"	1,575	715	10.2"	8.0"	11.2"	13.0-32.1"	26.0-80.1"	20.0"	24.0"	36.0" x 3.2" x 2.4"
<b>48" x 40" Block and GMA Pallets ①</b>														
22G-FDS-A221	4,800	2,200	II	36.0"	1,125	510	8.7"	8.0"	10.8"	14.6-28.7"	27.6-82.7"	15.0"	27.0"	42.0" x 3.2" x 1.6"
22G-FDS-B221	4,800	2,200	III	36.0"	1,125	510	8.5"	7.8"	11.1"	14.6-28.7"	27.6-82.7"	15.0"	27.0"	42.0" x 3.2" x 1.6"
25G-FDS-A221	5,500	2,500	II	36.0"	1,170	531	8.9"	8.4"	10.8"	14.6-28.7"	27.6-82.7"	15.0"	27.0"	42.0" x 3.2" x 1.8"
25G-FDS-B221	5,500	2,500	III	36.0"	1,160	526	8.7"	8.2"	11.1"	14.6-28.7"	27.6-82.7"	15.0"	27.0"	42.0" x 3.2" x 1.8"
32G-FDS-B221	7,000	3,200	III	36.0"	1,205	547	8.9"	8.8"	10.7"	14.6-28.7"	27.6-82.7"	15.0"	27.0"	42.0" x 3.2" x 2.0"
36G-FDS-B221	8,000	3,600	III	38.6"	1,635	740	10.2"	9.1"	12.1"	14.6-28.7"	27.6-82.7"	15.0"	27.0"	42.0" x 3.2" x 2.4"
36G-FDS-C221	8,000	3,600	IV	38.6"	1,652	749	10.2"	9.0"	10.4"	14.6-28.7"	27.6-82.7"	15.0"	27.0"	42.0" x 3.2" x 2.4"
50G-FDS-C221	10,000	5,000	IV	38.6"	1,655	750	10.2"	9.0"	10.4"	14.6-28.7"	27.6-82.7"	15.0"	27.0"	42.0" x 3.2" x 2.4"
<b>44" x 56" Container Pallets</b>														
25G-FDS-A013	5,500	2,500	II	36.0"	1,195	542	8.9"	11.3"	9.7"	13.0-28.1"	26.0-80.1"	11.0"	26.0"	54.0" x 3.2" x 1.8"
25G-FDS-B013	5,500	2,500	III	36.0"	1,185	538	8.7"	11.2"	10.0"	13.0-28.1"	26.0-80.1"	11.0"	26.0"	54.0" x 3.2" x 1.8"
32G-FDS-B013	7,000	3,200	III	36.0"	1,255	569	8.9"	11.8"	10.2"	13.0-28.1"	26.0-80.1"	11.0"	26.0"	54.0" x 3.2" x 2.0"
36G-FDS-B013	8,000	3,600	III	38.6"	1,700	775	10.2"	11.6"	11.4"	13.0-28.1"	26.0-80.1"	11.0"	26.0"	54.0" x 3.2" x 2.4"
36G-FDS-C013	8,000	3,600	IV	38.6"	1,722	781	10.2"	11.5"	10.0"	13.0-28.1"	26.0-80.1"	11.0"	26.0"	54.0" x 3.2" x 2.4"
50G-FDS-C013	10,000	5,000	IV	38.6"	1,725	785	10.2"	11.5"	10.0"	13.0-28.1"	26.0-80.1"	11.0"	26.0"	54.0" x 3.2" x 2.4"

① This model can handle GMA type stringer and block pallets, including Chop Type III and Mark 55 pallets in both directions. The single-mode fork positioning range is 15.0" to 21.0" in-to-in, or 27.6" to 33.6" out-to-out. Average pallet spread is 8.0" for both pallets. No additional truck auxiliary valves required, beyond the normal two auxiliary valves.

- ▶ Other fork lengths available.
- ▶ FDS unit limited to 60" fork length maximum.
- ▶ Plastic pallets may require modified fork dimensions. For other ranges or fork dimensions, Consult Cascade.
- ▶ The outer fork tines are .2" higher than the inner fork tines.
- ▶ 8" (200 mm) total shideshift.
- ▶ Right hand termination standard, left hand termination available at no charge.

## HYDRAULIC FLOW & PRESSURE

Minimum	Recommended	Maximum	Operating Pressure
15 l/min.	27 l/min.	27 l/min.	200 bar

## HYDRAULIC FUNCTIONS

Hydraulic Functions	Truck Auxiliary Valves Required
2	2