



## A cost effective solution for positioning the forks on the K-Series Fork Positioners

### APPLICATIONS

Provides a simple, cost effective means to position the forks on a K-Series Fork Positioners. Permits the use of a single auxiliary valve to control an additional hydraulic function. Eliminates the need for hydraulic hoses or electric cables and offers a minimum of installation time.

### FEATURES

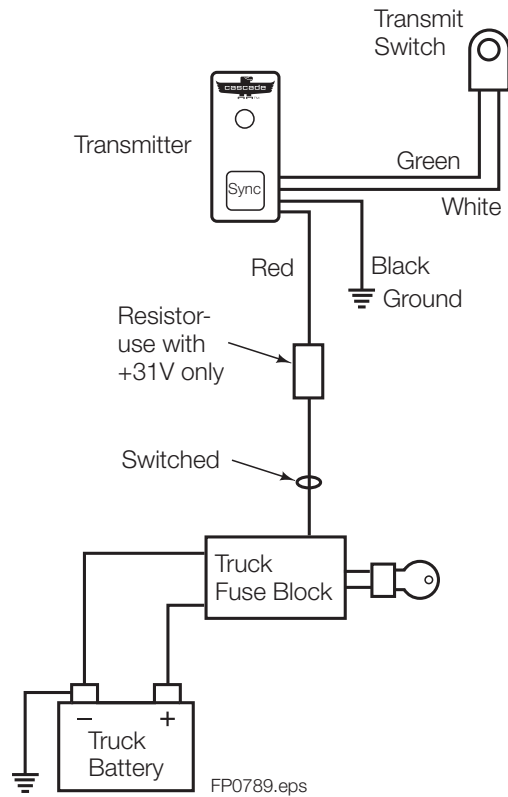
- Long battery life for multiple shift operation
- LED operation and battery life indicator
- Matched transmitter/receiver with synchronization capability
- Rugged encapsulated circuit board enclosure
- Auto sleep mode for extended battery life
- Rechargeable battery

*Eliminate the need for hydraulic hoses or electric cables.*



Guard protects components.

Description	Catalog Order No.
*Radio Frequency Hydraulic Control FPS	<b>RFHC</b>
Battery Charger - Li-Ion Universal Smart Charger	<b>BACH</b>
Low Profile Switch Kit	<b>6014880</b>
Control Knob Kit	<b>673130</b>
JIC Installation Kit	<b>6055928</b>
ORFS Installation Kit	<b>6055932</b>



## CONTROL OPTIONS FOR SOLENOID ADAPTION

### Kit includes:

- Operator control knob
- Electrical pigtail



### Kit includes:

- Operator control switch
- Electrical pigtail
- Fuse and holder
- Extra wire
- Solderless connectors
- Shrink tubing



### Control Knob Kit

In conjunction with the solenoid adaption, provides for controlling two function attachments with one auxiliary valve.

Attachment	Catalog Order No.
Any two function Cascade Attachment	<b>673130</b> ⓘ

ⓘ These control knobs contain blank function labels in the handle. For control knobs with pre-printed function labels, Consult Cascade.

► For handles spread sufficiently for knob, use knob. For closely nested handles with no room for a knob, use switch (right).

### Low Profile Switch Kit

In conjunction with the solenoid adaption, provides for controlling two function attachments with one auxiliary valve.

Attachment	Catalog Order No.
Any two function Cascade Attachment	<b>6014880</b>