



Securely hold steel, wood or plastic bins during rotation.

*For bin inverting
and dumping
versatility.*

APPLICATIONS

Designed to handle a variety of bin sizes without damaging the bin. The Hydraulic Bin Retainer accommodates plastic and wood bins used in the agricultural markets such as handling grapes, apples, pears, potatoes, nuts and seed. The Hydraulic Bin Retainer is also popular with the industrial sector handling steel bins used to transport scrap metal and paper waste. Bins are held securely on the forks preventing slippage and damage to the bins when rotated.

OPTIONS

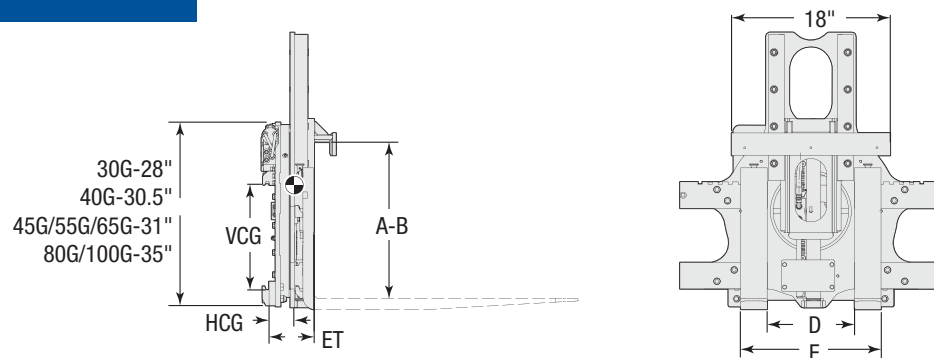
- Custom bin dimensions
- Extended ranges available
- Extended capacities
- Side stabilizer
- Alternate hook profiles
- Extended reach hook
- Custom hook widths
- Sequencing valve that automatically starts rotation function after Hydraulic Bin Retainer clamps load

FEATURES

- Heavy-duty 360° Cascade rotator that rotates in both directions
- Bin Retainer is fabricated from proven D-Series extrusions
- Ranges to match a variety of bin sizes
- Pressure reduction valve to prevent excessive force on bin



HYDRAULIC BIN RETAINER



Catalog Order No.	Capacity @ 24" (600 mm) Load Center		Min. Hook Height A	Max. Hook Height B	Bin Range	Mtg. Class	Fork Spread ITI-OTO ①	Weight		Effective Thickness ET	Horizontal Ctr. of Gravity HCG	Vertical Ctr. of Gravity VCG	Overall Height (Min./Max.) OAH	Lost Fork Length F
	lbs	kg						lbs	kg					
30G-RLH ②	3,000	1,365	23.2"	40.2"	24.2"-34.2"	II	13"-37"							0
40G-RLH ②	4,000	1,815	23.2"	40.2"	24.2"-34.2"	II	13"-37"							0
45G-RLH ②	4,500	2,045	23.2"	40.2"	24.2"-34.2"	II	13"-37"							1.7"
55G-RLH ②	5,000	2,270	23.6"	47.2"	24.6"-41.2"	III	13"-37"			Consult Cascade				1.7"
65G-RLH ②	6,500	3,000	23.6"	47.2"	24.6"-41.2"	III	13"-37"							0.7"
80G-RLH ②	8,000	3,628	23.6"	47.2"	24.6"-41.2"	III	13"-37"							0.7"
100G-RLH ②	10,000	4,535	23.6"	47.2"	24.6"-41.2"	IV	13"-37"							0.7"

- ① Optional fork bar widths available.
- ② All RLH Rotators are custom-designed to assume compatibility with the bin. Consult Cascade to obtain a quote.
- ▶ When using the Hydraulic Bin Rotator, a second hydraulic function is required. This can be configured with a Sequence Valve that will allow product to be used with a single function lift truck. Consult Cascade for pricing.
- ▶ Optional side fork stabilizer available.
- ▶ Forks not included with Hydraulic Bin Retainer.
- ▶ Configurations shown are typical. For application specific design, consult Cascade.
- ▶ A horizontal bar may be required when used with certain bins, consult Cascade.

Bin Retainer Hook with Rubber inside

Width	18"
Inside Depth	2.5"
Inside Height	2"

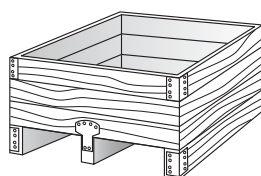
For different dimensions, Consult Cascade.

HYDRAULIC FLOW & PRESSURE

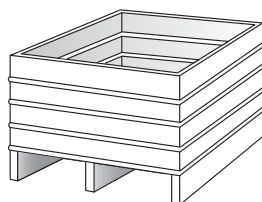
Minimum Pressure psi	Maximum Pressure psi/bar	Min-Rec-Max Function 1 gpm
500	2,300/160	1 2 4

HYDRAULIC FUNCTIONS

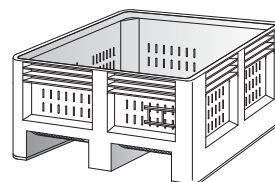
Hydraulic Functions	Truck Auxilliary Valves Used
2	2



Wood Bin



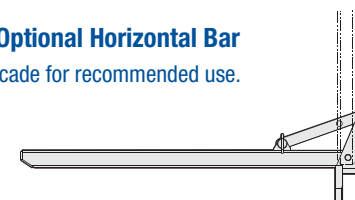
Steel Bin



Plastic Bin



Optional Rubber Faced Hook
Consult Cascade for recommended use.



Optional Horizontal Bar
Consult Cascade for recommended use.

Cascade Corporation • PO Box 20187 • Portland, OR 97294-0187 • USA • 800 CASCADE (227.2233) • Tel 503.669.6257 • Fax 800.693.3768 • Fax 503.669.6367
 Cascade Canada Ltd. • 5570 Timberlea Blvd. • Mississauga, Ontario L4W 4M6 • Canada • 800.380.2272 • Tel 905.629.7777 • Fax 905.629.7785