



Specifically designed for printers and newspaper publishers.

Designed for handling rolls of newsprint, form and printing stock.

APPLICATIONS

The 13H Paper Roll Clamp is designed for newspaper publishers, printers and warehouses handling small to medium size rolls of newsprint, form and printing stock.

FEATURES

Reduced Roll Damage

- H-Series pad alignment system, utilizing dual spring technology, holds the contact pads in proper alignment
- Thin-arm profile with smooth-arm contour eases roll breakout and permits close stacking

Fast Roll Handling

- Excellent arm speed boosts production
- 360° rotation to quickly transition to and from bilge position

Excellent Durability

- Highly durable rotator features a sealed ring gear design to eliminate contaminants and debris
- Unitized construction provides structural integrity in arms and frame
- Lube-free pivot bushings provide extended service life
- Integral pad protector to guard against pad wear

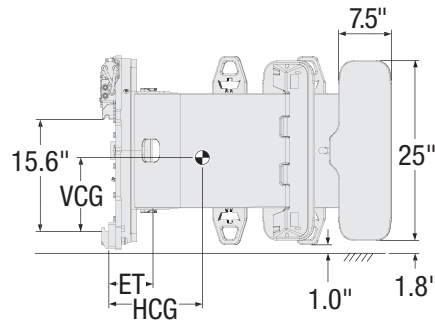
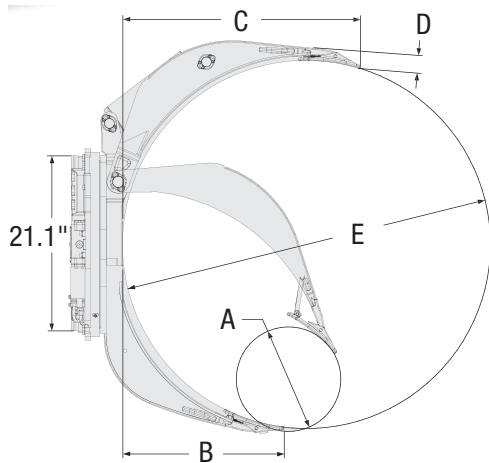
OPTIONS

- Wide variety of rubber, urethane and other pads are available for improved handling of industry-specific papers
- 180° Stop Group to ensure pad alignment with roll
- HFC (Hydraulic Force Control) to eliminate damage caused by improper clamp force
- Larger opening ranges available



Shown with optional RXH pads.

13H PAPER ROLL CLAMP



360° Rotation

| Catalog Order No. | Capacity for Diameter | | Roll Range | Mtg. Class | Mtg. Angle | Weight | | Effective Thickness | Horizontal Ctr. of Gravity | Vertical Ctr. of Gravity | Long Arm Length | Short Arm Length | Long Arm Thickness |
|------------------------------------|-----------------------|---------------|------------|------------|------------|--------|-----|---------------------|----------------------------|--------------------------|-----------------|------------------|--------------------|
| | lb @ in | kg @ mm | | | | lb | kg | | | | | | |
| Fixed Frame/Fixed Short Arm | | | | | | | | | | | | | |
| 13H-RCF-A000 | 3,500 @ 42" | 1,580 @ 1,070 | 10"-42" | II | 0° | 796 | 362 | 6.2" | 8.1" | 11.2" | 26.8" | 18.8" | 2.9" |
| 13H-RCF-A001 | 3,300 @ 45" | 1,470 @ 1,150 | 13"-45" | II | 0° | 828 | 376 | 6.2" | 8.8" | 11.2" | 28.5" | 20.4" | 2.8" |
| 13H-RCF-A003 | 2,900 @ 51" | 1,300 @ 1,300 | 15"-51" | II | 0° | 861 | 391 | 6.2" | 9.4" | 11.2" | 32.0" | 22.5" | 2.4" |
| 13H-RCF-A005 | 2,700 @ 55" | 1,200 @ 1,400 | 15"-55" | II | 0° | 889 | 404 | 6.2" | 10.0" | 11.2" | 33.1" | 24.5" | 2.8" |
| 13H-RCF-A007 | 2,500 @ 60" | 1,100 @ 1,525 | 17"-60" | II | 0° | 933 | 424 | 6.2" | 10.7" | 11.2" | 36.0" | 26.5" | 2.9" |
| 13H-RCF-A008 | 2,400 @ 63" | 1,050 @ 1,600 | 18"-63" | II | 0° | 942 | 428 | 6.2" | 11.2" | 11.2" | 37.2" | 28.3" | 2.8" |
| 13H-RCF-E000 | 3,500 @ 42" | 1,580 @ 1,070 | 10"-42" | II | 2° | 792 | 360 | 5.7" | 7.7" | 11.2" | 26.8" | 18.8" | 2.9" |
| 13H-RCF-E001 | 3,300 @ 45" | 1,470 @ 1,150 | 13"-45" | II | 2° | 824 | 374 | 5.7" | 8.4" | 11.2" | 28.5" | 20.4" | 2.8" |
| 13H-RCF-E003 | 2,900 @ 51" | 1,300 @ 1,300 | 15"-51" | II | 2° | 857 | 390 | 5.7" | 9.0" | 11.2" | 32.0" | 22.5" | 2.4" |
| 13H-RCF-E005 | 2,700 @ 55" | 1,200 @ 1,400 | 15"-55" | II | 2° | 885 | 402 | 5.7" | 9.6" | 11.3" | 33.1" | 24.5" | 2.8" |
| 13H-RCF-E007 | 2,500 @ 60" | 1,100 @ 1,525 | 17"-60" | II | 2° | 929 | 422 | 5.7" | 10.2" | 11.2" | 36.0" | 26.5" | 2.9" |
| 13H-RCF-E008 | 2,400 @ 63" | 1,050 @ 1,600 | 18"-63" | II | 2° | 937 | 426 | 5.7" | 10.8" | 11.3" | 37.2" | 28.3" | 2.8" |

- ▶ Herringbone is standard. Other pad types available.
- ▶ All models come standard with 360° rotation. 180° Stop Group available.
- ▶ 0° mounting provides the driver with a vertical reference to aid in aligning pads to roll; i.e. the pads are at the same angle as the mast. 0° mounting must be used when stacking above 220".
- ▶ 2° mounting provides ease in handling rolls in the horizontal (bilge) position.

HYDRAULIC FUNCTIONS

| Model | Hydraulic Functions | Truck Auxiliary Valves Required |
|-----------------|---------------------|---------------------------------|
| Fixed Short Arm | 2 | 2 |

ROTATOR SPECIFICATIONS

| RPM ① | Flow GPM | Torque in-lbs. @ 2,300 psi |
|-------|----------|----------------------------|
| 7.5 | 10 | 40,000 |

HYDRAULIC FLOW AND PRESSURE

| Minimum Pressure psi | Maximum Pressure psi/bar | Rotate Min-Rec-Max Function 1 gpm | Clamp Min-Rec-Max Function 2 gpm |
|----------------------|--------------------------|-----------------------------------|----------------------------------|
| 500 | 2,300/160 | 5 - 7 - 10 | 5 - 7 - 10 |