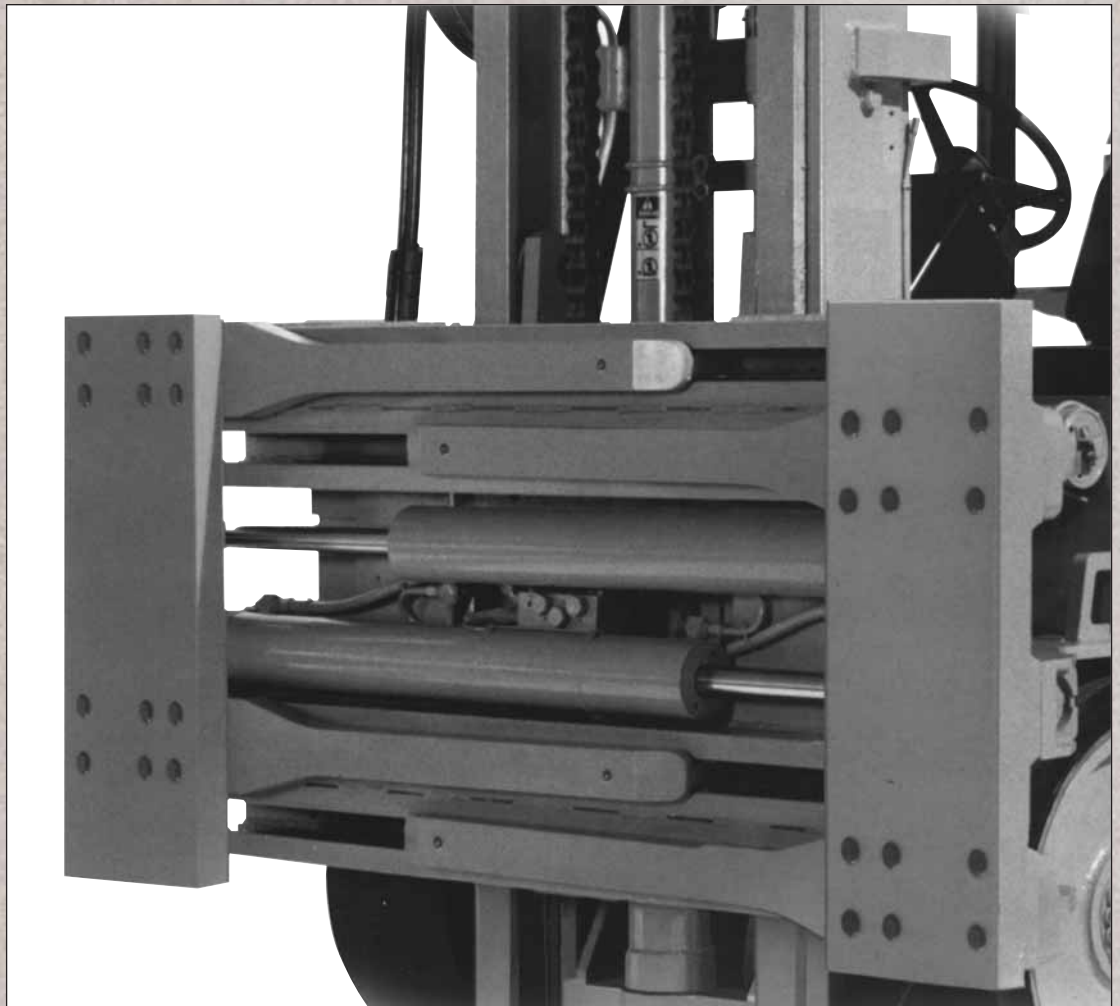




Designed for all clamp applications



Features

Rugged, lightweight construction

Cascade's Model 140D and 200D Clamps are designed to meet the demanding requirements found in big truck applications. Plus, their rugged, lightweight construction allows you to achieve an excellent net truck capacity rating.

Heavy duty T-bar arms

Heavy duty T-bar arms provide the strength and durability of much bulkier arm bar designs without the added weight.

The arms slide in a fabricated steel frame on cast aluminum-bronze bearings. A unique 4-point lubrication system provides continuous lubrication to each bearing.



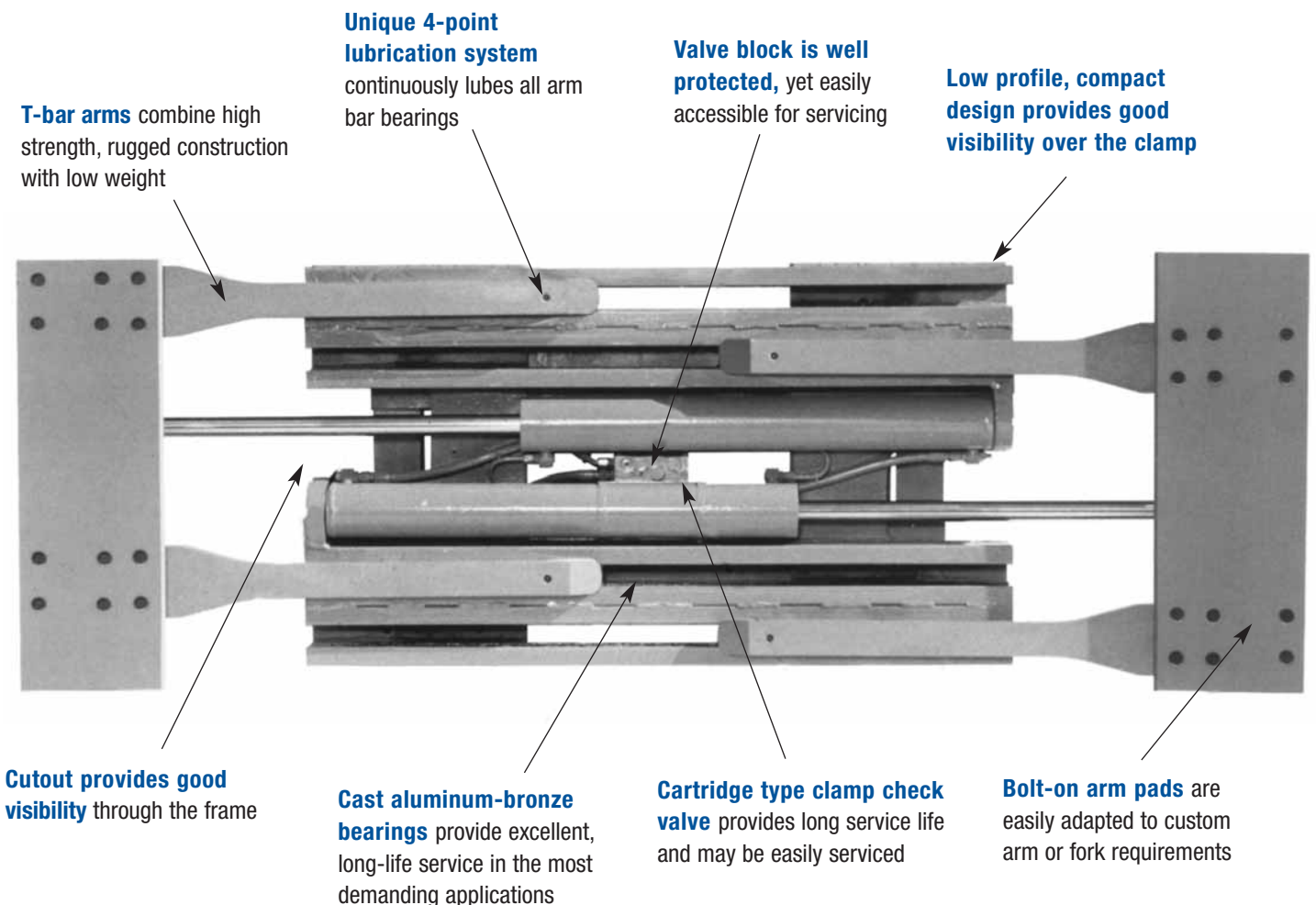
Dual drive drive train on revolving models

Model 140D/200D Revolving Clamps use a dual drive train that's designed to meet the most demanding application requirements.

Both the ring gear and pinion have deep heat-treated teeth and thick tooth profiles.

The drive boxes and motors are nested behind the baseplate to protect them from damage and to improve visibility over the clamp.

The two drive boxes work in unison to deliver high torque output and fast, smooth rotation.



Applications

Arm bases for custom fabricated arms

Model 140D/200D Clamps are designed to meet virtually any clamp handling requirement in the 10,000 to 20,000 lbs. capacity range. Non-sideshifting, sideshifting and revolving models are available.

The basic clamp is equipped with two bolt-on arm pads. These pads are designed to be used as bases for custom fabricated arms. Existing arms or forks may be welded to the pads.

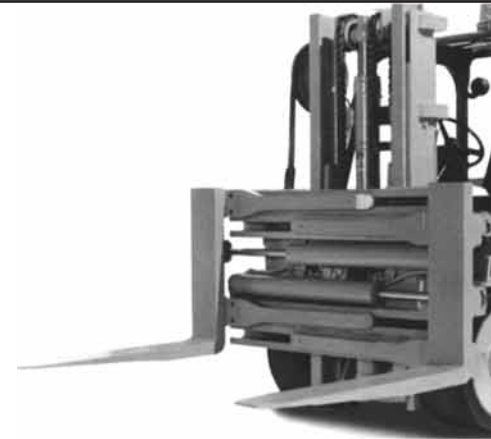
Several types of specialized arms are described below. If you have an application requiring custom fabricated arms, contact Cascade's Application Engineering Department at 800.CASCADE (227.2233)



Pallet forks/ fork positioners

Bolt-on standard forks are available from Cascade. Forks are manufactured to meet specific customer size requirements.

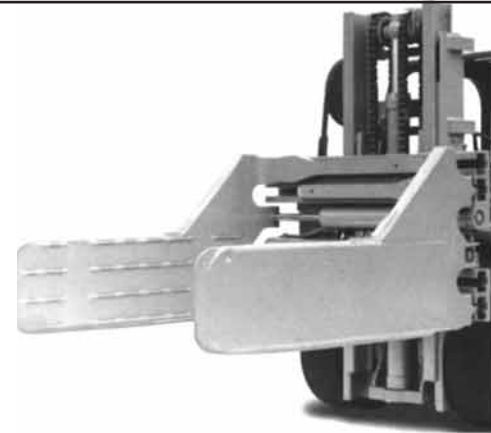
Model 150D Fork Positioners are also available with a capacity of 15,000 lbs. Unlike conventional fork positioners, Cascade 150D Fork Positioners have the added capacity of extending the forks beyond the frame.



Pulp and cotton bale arms

Bale arms are available for a wide variety of bale handling applications, including multiple pulp and cotton bale handling.

Cascade bale arms are manufactured to meet specific application requirements and are integral with the arm bars. The slab construction is extremely rugged and yet offers a very thin profile.

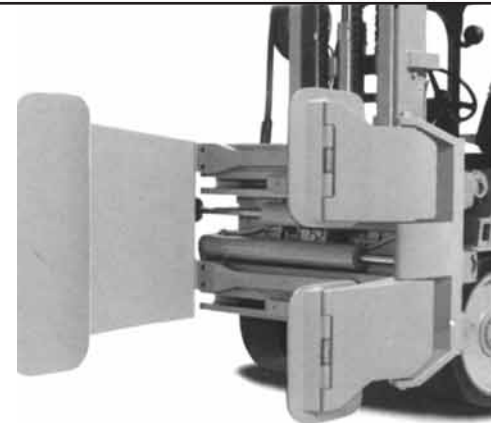


Multiple paper roll clamp arms

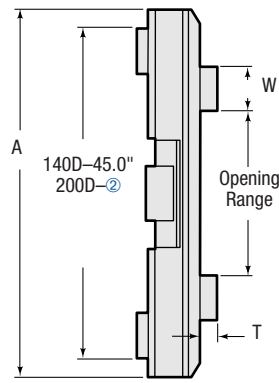
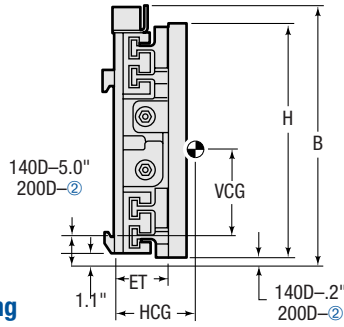
Paper roll handling arms are available for handling multiple roll configurations.

Arms are designed and manufactured to meet specific customer application requirements. The basic configurations are for two roll handling or four roll handling.

Multiple roll arms should be used on non-sideshifting and sideshifting clamps only. Multiple roll handling arms are not available for Model 140D and 200D Revolving Clamps.



No-Arm Clamps



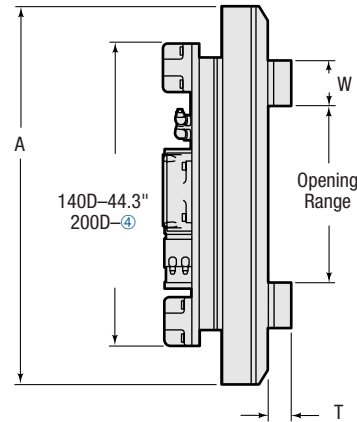
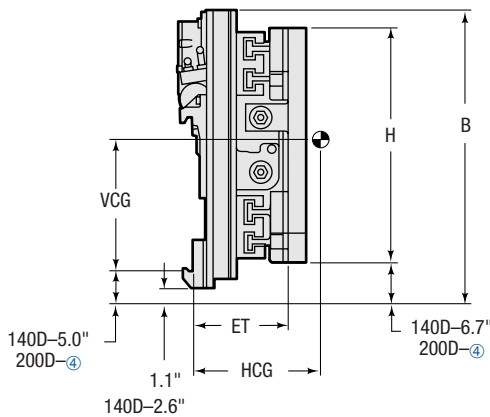
Non-Sideshifting/Sideshifting

Capacity @ 24" (600 mm) Load Center		Opening Range ①	Catalog Order No.	Mtg. Class	Weight		Arm Pad Size (Inches) W x H x T	Effective Thickness ET	Horizontal Ctr. of Gravity HCG	Vertical Ctr. of Gravity VCG	Overall Width A	Overall Height B
lbs	kg				lbs	kg						
Non-Sideshifting												
14,000	6,355	14.4"-81.9"	140D-CNB-00C	IV	2,100	953	11.0 x 34.7 x 2.0"	7.8"	4.8"	12.5"	58"	34.7"
20,000	9,080	7.0"-90"	200D-CNB-00N	Bolt-On	3,100	1,407	13.0 x 40.4 x 2.4"	9.6"	5.5"	20.8"	75"	40.8"
Sideshifting												
14,000	6,355	14.4"-81.9"	140D-CNS-10C	IV	2,100	953	11.0 x 34.7 x 2.0"	7.8"	4.8"	12.5"	58"	34.7"
20,000	9,080	7.0"-90"	200D-CNS-10N	Bolt-On	3,100	1,407	13.0 x 40.4 x 2.4"	9.6"	5.5"	20.8"	75"	40.8"

- ① Opening range is to inside of arm carrier pads.
- ② 200D Clamps Without Arms are built to order. Please contact Cascade for specifications, pricing and availability.

Installation Kit

Model	Catalog Order No.
Non-Sideshifting	659245
Sideshifting 140D, 200D	Consult Cascade



Revolving

Capacity @ 24" (600 mm) Load Center		Opening Range ①	Catalog Order No.	Mtg. Class	Mtg. Angle ②	Weight		Arm Pad Size (Inches) W x H x T	Effective Thickness ET	Horizontal Ctr. of Gravity HCG	Vertical Ctr. of Gravity VCG	Overall Width A	Overall Height B
lbs	kg					lbs	kg						
11,000	4,995	14.4"-81.9"	140D-CNR-20C	IV	0°	3,380	1,535	11.0 x 34.7 x 2.0	13.5"	7.0"	18.2"	58"	43.9"
11,000	4,995	14.4"-81.9"	140D-CNR-20H	IV	4°	3,380	1,535	11.0 x 34.7 x 2.0	13.5"	7.0"	18.2"	58"	43.9"
16,000	7,265	7.0"-90.0"	200D-CNR-20N ③	④	0°	5,700	2,588	13.0 x 40.4 x 2.4	14.9"	7.0"	25.8"	75"	⑤

- ① Opening range is to inside of arm carrier pads.
- ② Vertical mount (0° mounting angle) is recommended for lift heights exceeding 180".
- ③ 200D No-Arm Clamps are built to order. Please contact Cascade for specifications, pricing and availability.
- ④ Bolt-on or pin type mounting.
- ⑤ Consult Cascade.

Installation Kit

Model	Catalog Order No.
140D, 200D	663598