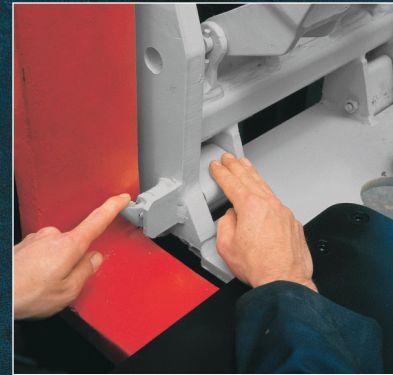


1. Position forks under platens



2. Engage lower hooks



3. Connect hydraulic lines

Mounts directly on the lift truck's forks in one minute.

APPLICATIONS

QFM Push/Pulls are ideal for applications requiring quick and convenient removal and installation of a push/pull attachment. The rugged Cascade QFM can be installed or removed in less than one minute and does not require removal of the lift truck forks. Ideal for applications requiring an attachment for slipsheets on an intermittent or irregular basis.

FEATURES

Protects both products and slipsheets from damage

- Chamfered platen corners prevent tears in the slipsheet
- Gripper jaw design protects tabs
- 4° tilting faceplate

High production slipsheet handling capabilities

- Frame mounts between the forks (20.5" spacing) for minimum lost load (effective thickness)
- High visibility pantograph, gripper jaw and faceplate

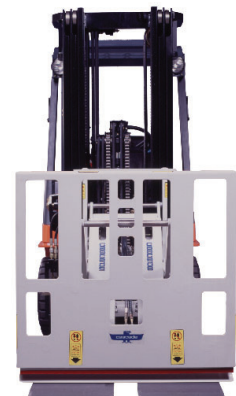
Strength and durability to work in demanding applications

- High strength, rigid pantograph mechanism
- Abrasion resistant steel platens
- Cylinders, valve and hydraulics are protected within the arms

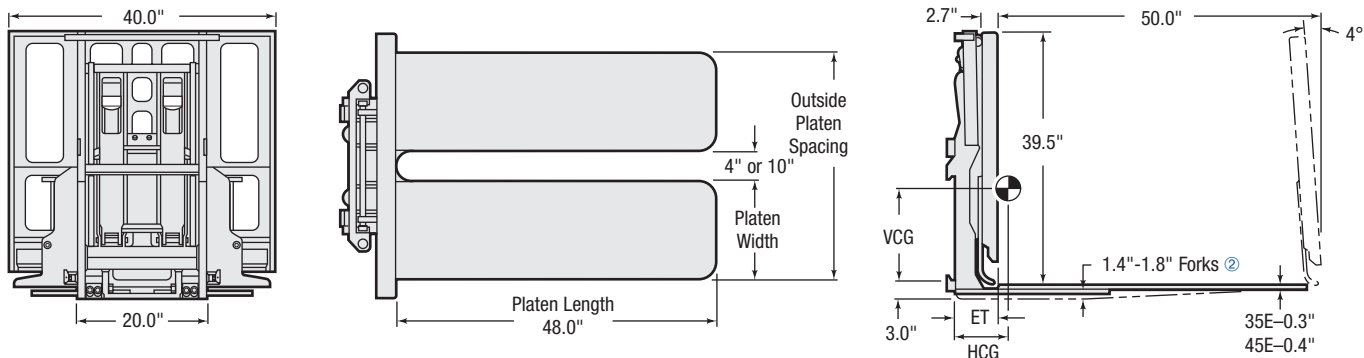
OPTIONS

- Quick-Change hydraulic couplers
- Special faceplate heights and widths
- Faceplate stop group
- Truck mounted solenoid adaption group
- Class III mounting
- Various platen sizes
- Extended push strokes
- Special load backrest for truck carriage

Quickly switch between fork and slipsheet handling with the QFM™ Push/Pull.



QFM™ (QUICK FORK MOUNT) PUSH/PULL



Capacity Load Center		Type	Platen Size (WxL)	Catalog Order No.	Mounting Class	Outside Platen Spacing	Weight		Effective Thickness	Horizontal Center of Gravity	Vertical Center of Gravity
lbs @ 24"	kg @ 600 mm						lbs	kg			
3,500	1600	QFM™	18" x 48"	35E-QPB-Q001	II	40" or 46"	765	345	6.5"	9.7"	12.1"
3,500	1600	Push/Pull	15" x 48"	35E-QPB-Q002	II	34" or 40"	740	335	6.5"	8.9"	12.6"
3,500	1600	QFM™	18" x 48"	35E-QLB-Q001	II	40" or 46"	665	300	6.5"	10.4"	12.1"
3,500	1600	Load Push	15" x 48"	35E-QLB-Q002	II	34" or 40"	640	290	6.5"	9.6"	12.6"
3,500	1600	QFM™	18" x 48"	35E-QPA-Q001①	II	40" or 46"	935	425	9.3"	10.6"	11.4"
3,500	1600	Sheet-Sav™ ①	15" x 48"	35E-QPA-Q002①	II	34" or 40"	905	410	9.3"	10.0"	11.7"
4,500	2070	QFM™	18" x 48"	45E-QPB-Q001	II	40" or 46"	795	360	6.5"	10.4"	11.6"
4,500	2070	Push/Pull	15" x 48"	45E-QPB-Q002	II	34" or 40"	765	345	6.5"	9.7"	12.1"
4,500	2070	QFM™	18" x 48"	45E-QLB-Q001	II	40" or 46"	695	315	6.5"	11.3"	11.5"
4,500	2070	Load Push	15" x 48"	45E-QLB-Q002	II	34" or 40"	665	300	6.5"	10.4"	12.0"
4,500	2070	QFM™	18" x 48"	45E-QPA-Q001①	II	40" or 46"	965	435	9.3"	11.4"	10.9"
4,500	2070	Sheet-Sav™ ①	15" x 48"	45E-QPA-Q002①	II	34" or 40"	935	425	9.3"	10.7"	11.4"

① This unit is solenoid equipped and may be controlled with a single auxiliary valve on the truck. **IMPORTANT:** Solenoid voltage must match truck voltage. **This unit is equipped with 12 volt solenoid.** If you require a different voltage, please specify at time of order entry.

② **IMPORTANT:** Spacers required for forks thicker than 1.5".

Spacer Kit Model	Catalog Order No.
1.75" forks	SP175
1.8" forks	SP180

- ▶ **IMPORTANT: QFM™ Push/Pulls must be mounted on standard forks to support the load and the push/pull.** Forks up to 1.8" thick and 40" to 46" long may be used. Recommended fork length is 42" with bottom taper. Forks must be spaced 20.5" to 25.5" apart, inside to inside. Forks over 1.5" thick require spacer kit.
- ▶ **Sideshifters:** QFM™ Push/Pulls mount on standard class II carriage sideshifters. NOTE: Sideshift components and cylinder must not protrude in front of carriage forkbars. Cascade 55F Quick-Mount™ Sideshifter recommended.

Platen Selection

- ▶ **18" x 48" Platens:** Recommended for applications where push/pull will not be handling pallets. Provides 40" minimum width slipsheet base.
- ▶ **15" x 48" Platens:** Recommended for applications where push/pull will be used to handle pallets. Provides 34" minimum width slipsheet base.

INSTALLATION KIT

Catalog Order Number
685558

HYDRAULIC FLOW AND PRESSURE

Minimum	Recommended	Maximum	Maximum PSI	Pressure Bar
4 GPM	7 GPM	10 GPM	2,300	160

HYDRAULIC FUNCTIONS

Model	Hydraulic Functions	Truck Auxiliary Valves Required
QPB & QLB	1	1
QPA①	2	1

MOUNTING CLASS INFORMATION

Mounting Class	Truck Capacity
II	2,000-5,500 lbs.
III	6,000-10,000 lbs.