



# Parts Manual

---

Model \_\_\_\_\_ Fork Clamp \_\_\_\_\_

Catalog Number \_\_\_\_\_ 50D-CFB-145 \_\_\_\_\_

---

**cascade**®  
**corporation**

**For Technical Assistance call:** 800-227-2233, Fax: 888-329-8207

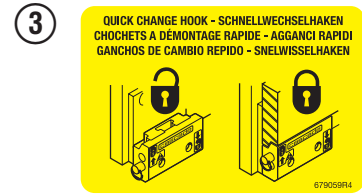
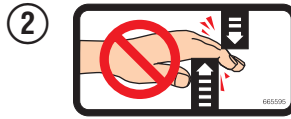
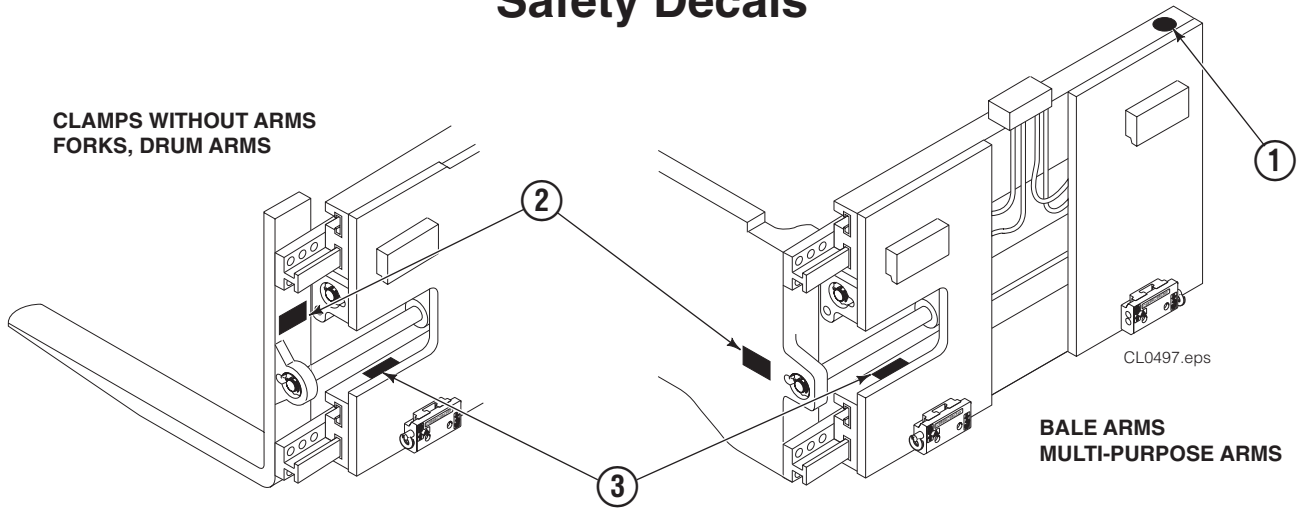
**To Order Parts call:** 888-227-2233, Fax: 888-329-0234

**OR**

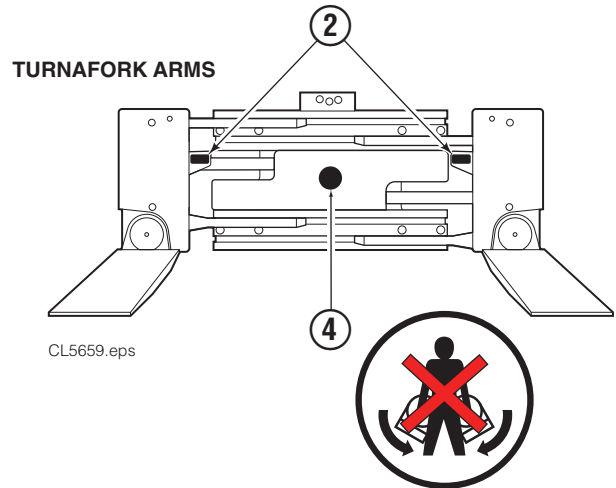
**Write:** Cascade Corporation, P.O. Box 20187, Portland, OR 97220

**Internet:** [www.cascorp.com](http://www.cascorp.com)

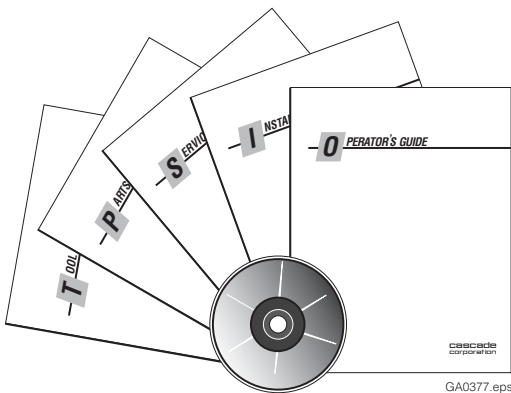
# Safety Decals



D-Clamp			
REF	QTY	PART NO.	DESCRIPTION
1	1	679150	No Step Decal
2	2	665595	No Hand Hold Decal
3	1	679059	Quick-Change Hook Decal
4	1	672046	TURNAFORK Arm Operation

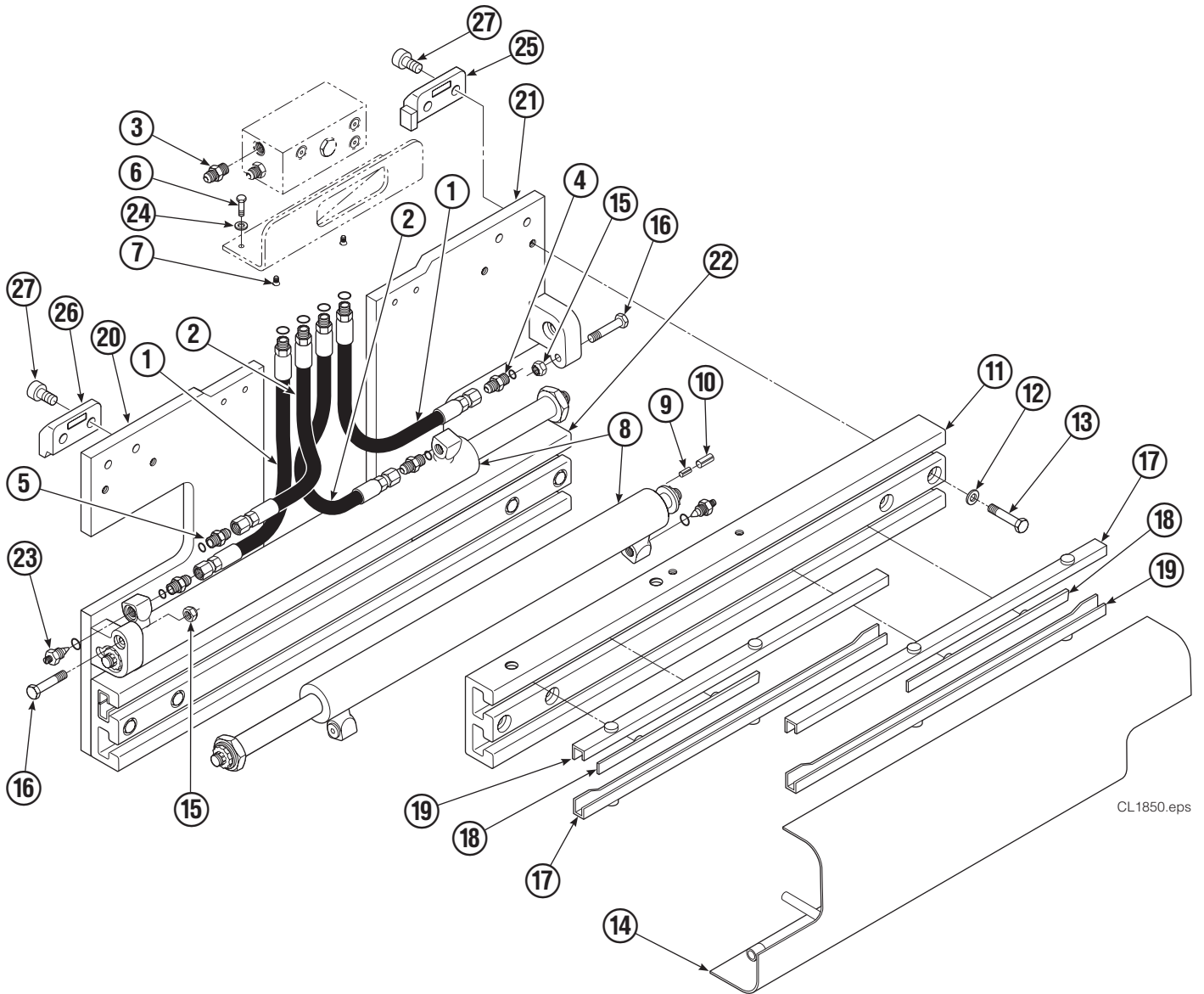


# Publications



D-Clamp	
669224	Service Manual
672944	Operator Guide
668987	Installation Instructions
679929	Tool Catalog

# Base Unit Group



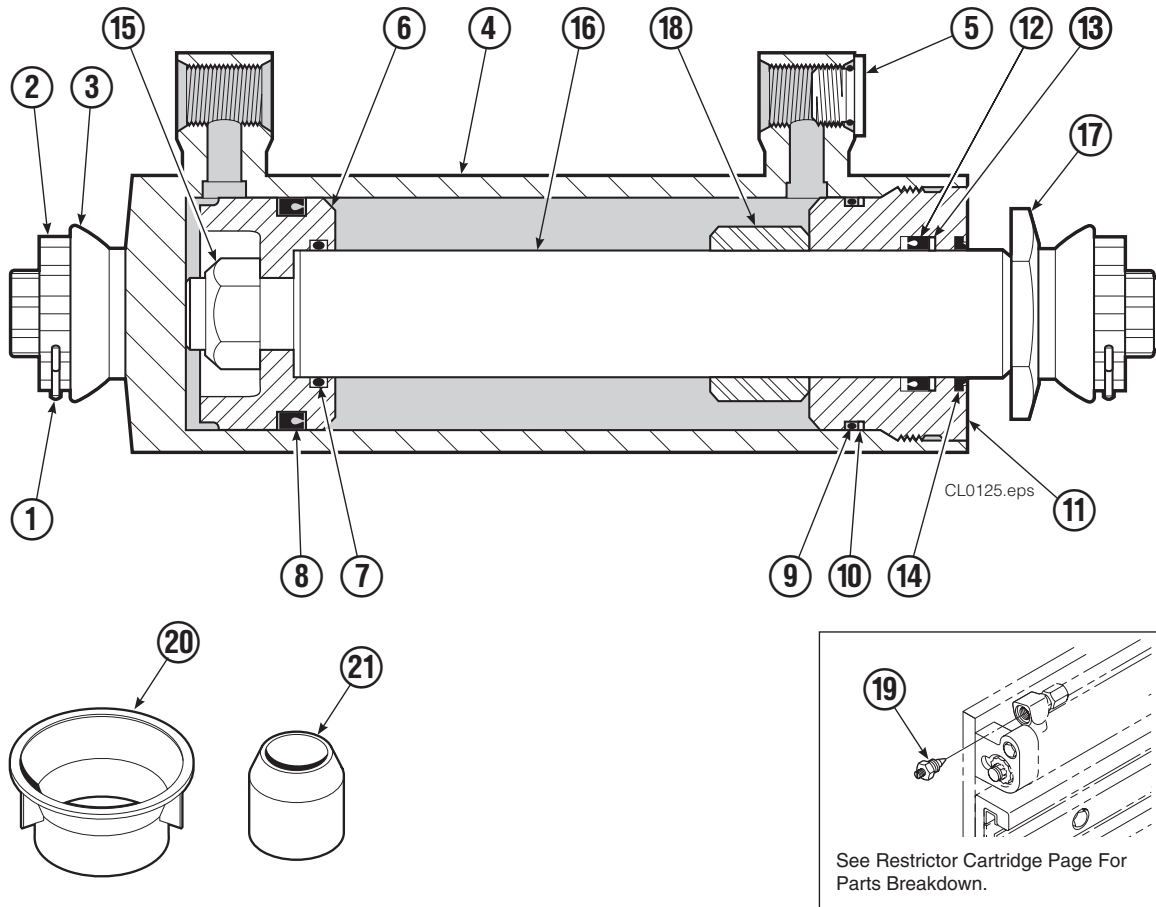
CL1850.eps

50D							
REF	QTY	PART NO.	DESCRIPTION	REF	QTY	PART NO.	DESCRIPTION
		681232	Base Unit Group – R1	14	1	667664	Bumper
1	2	210436	Hose, 24.75 in.	15	2	665707	Nut, 1/2
2	2	210441	Hose, 21.25 in.	16	2	640699	Capscrew, 1/2 x 2.75
3	1	601377	Fitting, 8-8	17	4	668904	Bearing
4	2	686369	Fitting	18	4	667663	Bearing
5	2	611288	Fitting, 6-8	19	4	668905	Bearing
6	2	671222	Capscrew, .375 x .75	20	1	680626	Mounting Plate – RH
7	2	4750	Capscrew, .375 x .75	21	1	680625	Mounting Plate – LH
8	2	667666	Cylinder ▲	22	1	674167	Frame – Lower
9	2	7882	Roll Pin - Inner	23	2	667609	Restrictor Cartridge ●
10	2	7961	Roll Pin - Outer	24	2	6230	Washer
11	1	667659	Frame - Upper	25	1	6002330	Upper Hook – LH
12	8	667225	Washer, .625	26	1	210491	Upper Hook – RH
13	8	667644	Capscrew, .625 x 3.25	27	4	768577	Capscrew, M20 x 35

▲ See Cylinder page for parts breakdown.  
Reference: Common Parts 680839-R9, SK-5302.

● See Restrictor Cartridge page for parts breakdown.  
Not included in Base Unit Group.

# Cylinder Assembly



50D							
REF	QTY	PART NO.	DESCRIPTION	REF	QTY	PART NO.	DESCRIPTION
		667666	Cylinder Assembly	12	1	662451	▲ Seal
1	2	6511	■ Cotter Pin	13	1	638246	▲ Nylon Ring
2	2	667667	■ Nut Retainer	14	1	564930	▲ Wiper
3	2	667668	■ Nut	15	1	561012	Nut
4	1	553760	Shell	16	1	667670	Rod
5	1	602580	Fitting	17	1	667676	Washer
6	1	558402	Piston	18	1	—	Spacer
7	1	2722	▲ O-Ring	19	1	667609	Restrictor Cartridge ●
8	1	662457	▲ Seal	20	1	671049	▲ Seal Loader, Piston
9	1	2791	▲ O-Ring	21	1	671052	▲ Seal Loader, Retainer
10	1	615134	▲ Back-Up Ring			667723	Service Kit
11	1	667675	Retainer				

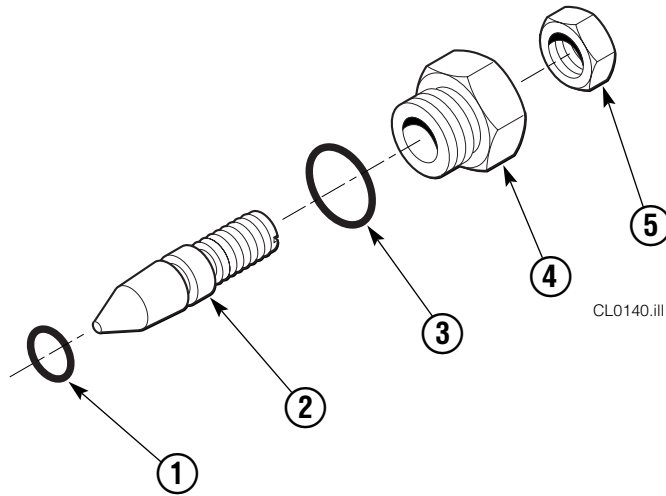
■ Included in Nut Service Kit 668925.

▲ Included in Service Kit 667723.

● Not included in Cylinder Assembly.

Reference: S-7642, S-7666.

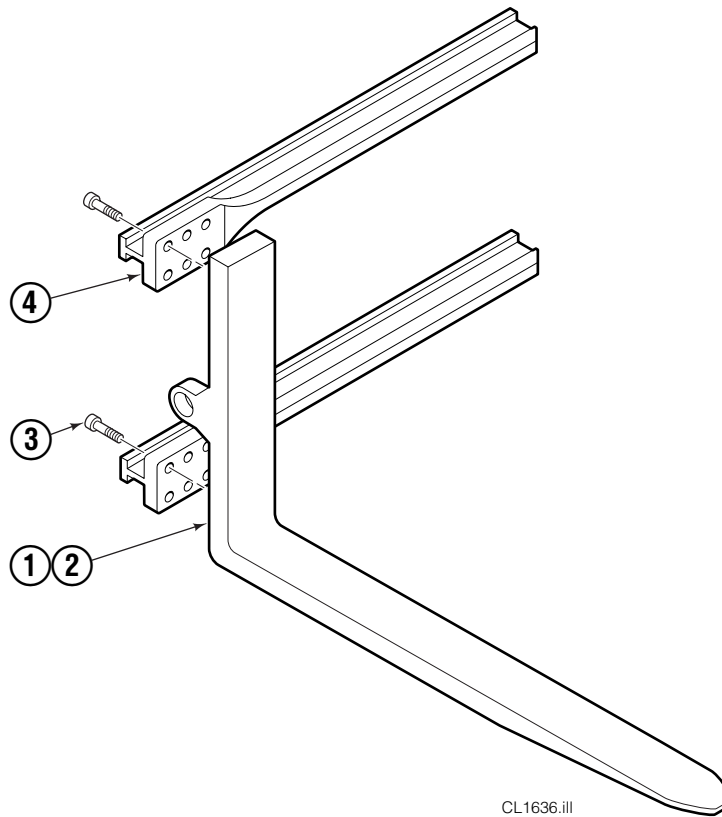
# Restrictor Cartridge

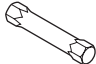


REF	QTY	PART NO.	DESCRIPTION
		667609	Restrictor Cartridge
1	1	2701	O-Ring
2	1	667611	Plunger
3	1	2841	O-Ring
4	1	667610	Plug - Special
5	1	5716	Jam Nut



# Bolt-On Fork Group

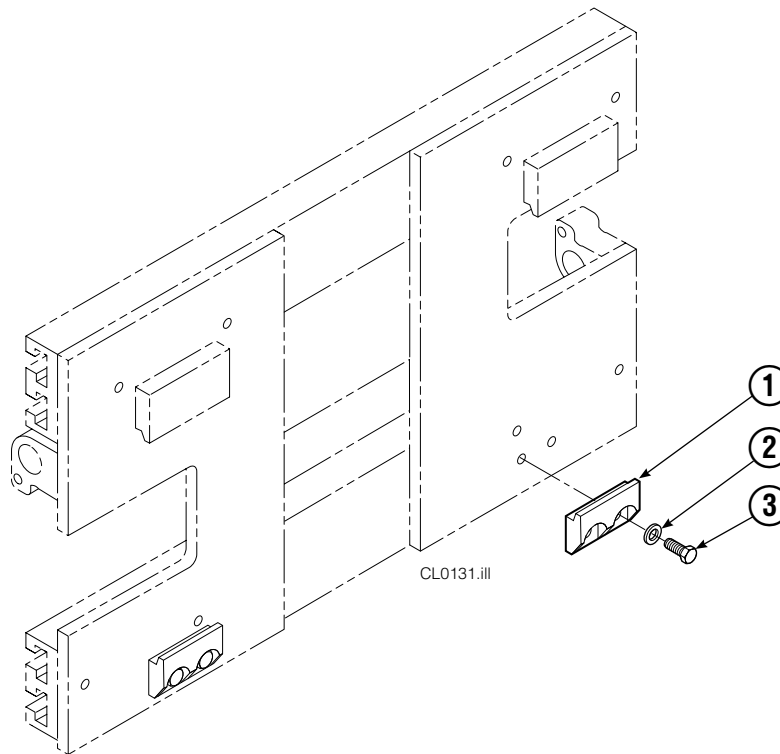


ARM CAPSCREW EXTENSION TOOL Required for Proper Torquing of Capscrews		
	35D/50D	667699

50D			
REF	QTY	PART NO.	DESCRIPTION
		352818	Fork Group ♦
1	1	352816	Fork Weldment – LH
2	1	352817	Fork Weldment – RH
3	24	607105	Capscrew, 3/4 x 2.00
4	4	667700	Arm Bar

♦ Includes items 1 – 3 only.  
Reference: S-7773, S-7774.

# Bolt-On Mounting Group



Class II			
REF	QTY	PART NO.	DESCRIPTION
		678934	Lower Hook Group
1	2	675968	Lower Hook
2	4	667225	Washer, 5/8 in. ID
3	4	667369	Capscrew, 5/8 NC x 1.25 GR 5

Reference: S-3197.





**Do you have questions you need answered right now?**

Call your nearest Cascade Parts Department.

Visit us online at [www.cascorp.com](http://www.cascorp.com)

**AMERICAS**

**Cascade Corporation  
Parts Sales**

2501 Sheridan Ave.  
Springfield, OH 45505  
Tel: 888-CASCADE (227-2233)  
Fax: 888-329-0234

**Cascade Canada Inc.**

5570 Timberlea Blvd.  
Mississauga, Ontario  
Canada L4W-4M6  
Tel: 905-629-7777  
Fax: 905-629-7785

**Cascade do Brasil**

Praça Salvador Rosa,  
131/141-Jordanópolis,  
São Bernardo do Campo - SP  
CEP 09891-430  
Tel: 55-13-2105-8800  
Fax: 55-13-2105-8899

**EUROPE-AFRICA**

**Cascade Italia S.R.L.  
European Headquarters**

Via Dell'Artigianato 1  
37030 Vago di Lavagno (VR)  
Italy  
Tel: 39-045-8989111  
Fax: 39-045-8989160

**Cascade (Africa) Pty. Ltd.**

PO Box 625, Isando 1600  
60A Steel Road  
Sparton, Kempton Park  
South Africa  
Tel: 27-11-975-9240  
Fax: 27-11-394-1147

**ASIA-PACIFIC**

**Cascade Japan Ltd.**

2-23, 2-Chome,  
Kukuchi Nishimachi  
Amagasaki, Hyogo  
Japan, 661-0978  
Tel: 81-6-6420-9771  
Fax: 81-6-6420-9777

**Cascade Korea**

121B 9L Namdong Ind.  
Complex, 691-8 Gojan-Dong  
Namdong-Ku  
Inchon, Korea  
Tel: +82-32-821-2051  
Fax: +82-32-821-2055

**Cascade-Xiamen**

No. 668 Yangguang Rd.  
Xinyang Industrial Zone  
Haicang, Xiamen City  
Fujian Province  
P.R. China 361026  
Tel: 86-592-651-2500  
Fax: 86-592-651-2571

**Cascade India Material  
Handling P Ltd**

Sy no 271/8, Ingawale Patil  
Estate,  
Godown No.9,10 & 11, Bhugaon,  
Off Paud Road, Tal Mulshi, Dist  
Pune 411 042

**Cascade Australia Pty. Ltd.**

36 Kiln Street  
Darra QLD 4076  
Australia  
Tel: 1-800-227-223  
Fax: +61 7 3373-7333

**Cascade New Zealand**

15 Ra Ora Drive  
East Tamaki, Auckland  
New Zealand  
Tel: +64-9-273-9136  
Fax: +64-9-273-9137

**Sunstream Industries  
Pte. Ltd.**

18 Tuas South Street 5  
Singapore 637796  
Tel: +65-6795-7555  
Fax: +65-6863-1368

