



# Parts Manual

---

Model \_\_\_\_\_ Fork Positioner \_\_\_\_\_

Catalog Number \_\_\_\_\_ 70L-37019 \_\_\_\_\_

---

**cascade**®  
**corporation**

**For Technical Assistance call:** 800-227-2233, Fax: 888-329-8207

**To Order Parts call:** 888-227-2233, Fax: 888-329-0234

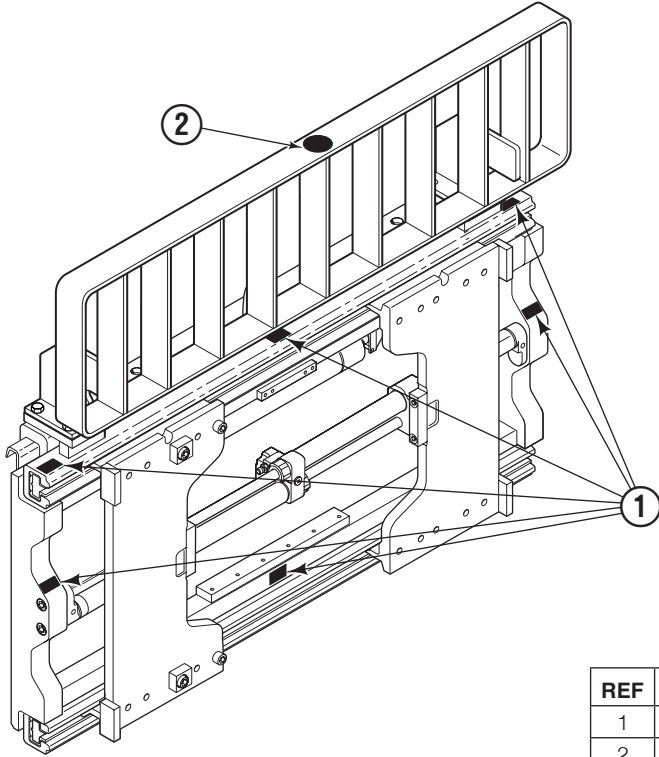
**OR**

**Write:** Cascade Corporation, P.O. Box 20187, Portland, OR 97220

**Internet:** [www.cascorp.com](http://www.cascorp.com)

Blank

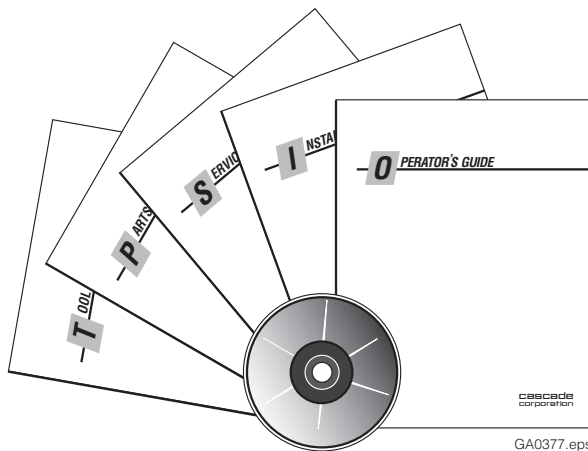
# Safety Decals



FP1913.eps



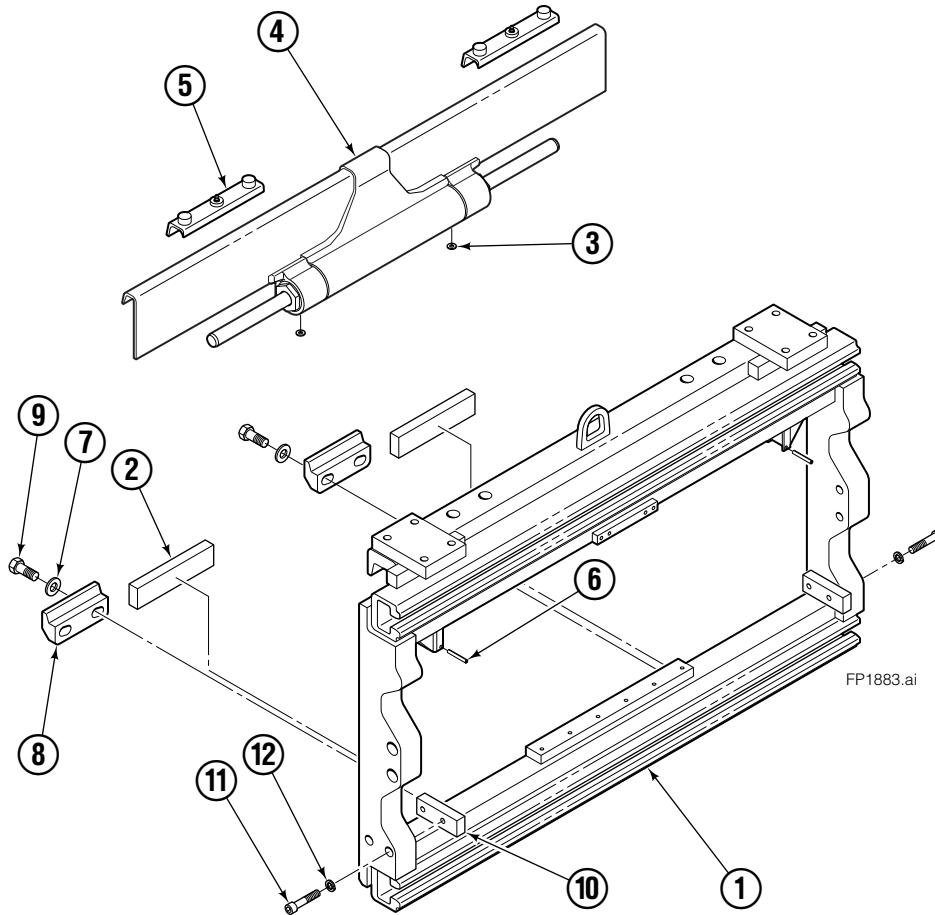
REF	QTY	PART NO.	DESCRIPTION
1	6	665595	Pinch Point Decal
2	1	679150	No Step Decal



GA0377.eps

PART NO.	DESCRIPTION
6833007	Service Manual
6814459	User Manual (Installation & Op Guide)
679929	Tool Catalog

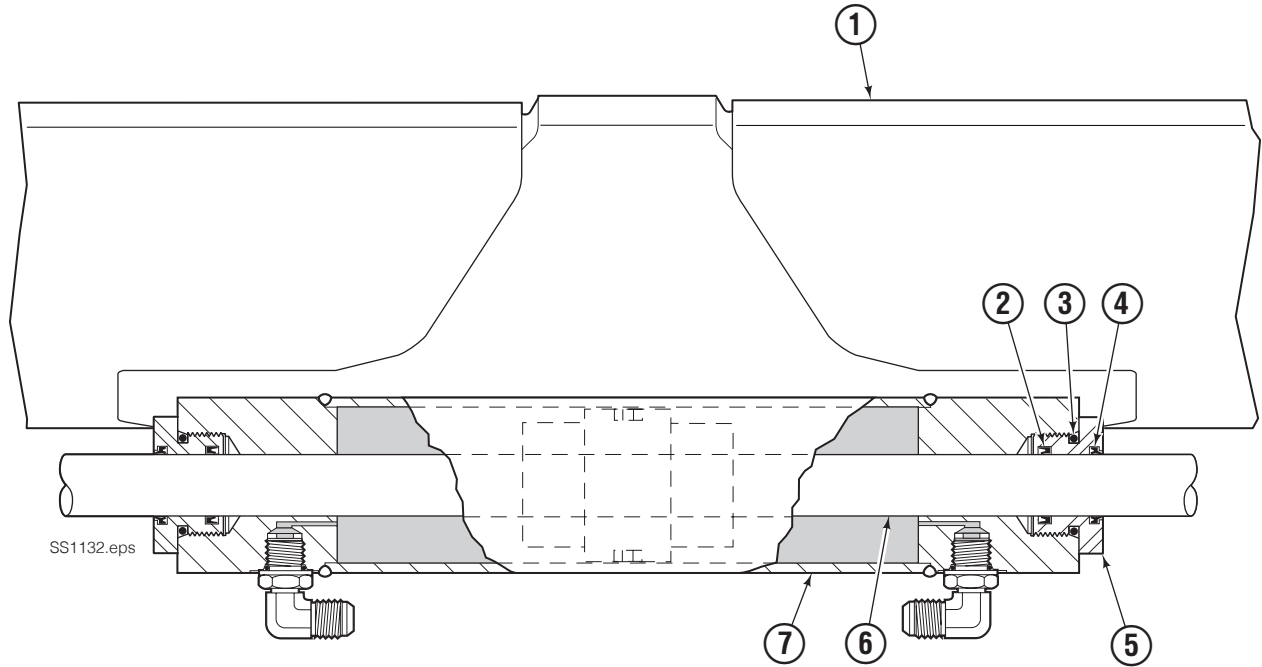
# Base Unit-Weldment



70L			
REF	QTY	PART NO.	DESCRIPTION
1	1	6818216	Base Unit Weldment
2	2	6812126	◆ Lower Bearing
3	2	221733	Restrictor Washer ●
4	1	6849677	Cylinder ■
5	2	6079936	◆ Upper Bearing
6	2	7916	◆ Roll Pin
7	4	215419	★ Washer, M20
8	2	6088086	★ Lower Hook
9	4	751536	★ Capscrew, M20 x 55
10	2	6827712	◆ Stop Block
11	4	6405595	◆ Capscrew, M12 x 60
12	4	684660	◆ Lockwasher, M12

- ◆ Included in Common Parts Group 6813427.
- Included in Restrictor Group 221732.
- See Cylinder page for parts breakdown.
- ★ Included in Lower Hook Group 6823623.

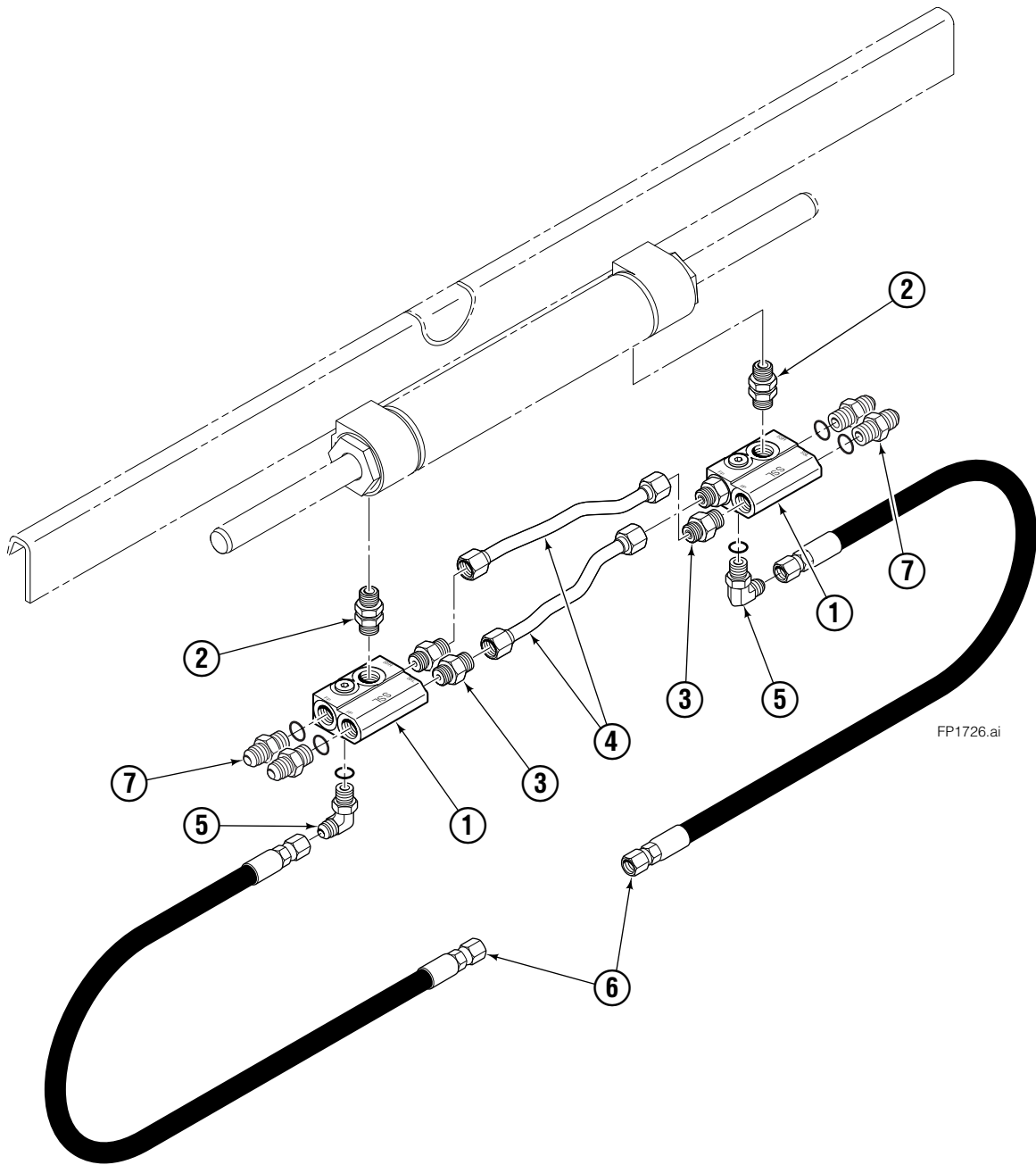
# Cylinder Assembly



REF	QTY	PART NO.	DESCRIPTION
1	1	6849677	Cylinder Assembly
2	2	564406	● Seal
3	2	609241	● O-Ring
4	2	564408	● Wiper
5	2	6056530	Retainer
6	-	■	Rod/Piston Assembly
7	-	■	Cylinder Shell
		6091229	Rod Seal Service Kit

● Included in Service Kit 6091229.  
 n Not serviceable – order new Cylinder Assembly.  
 Reference: S-57877.

# High Termination Group

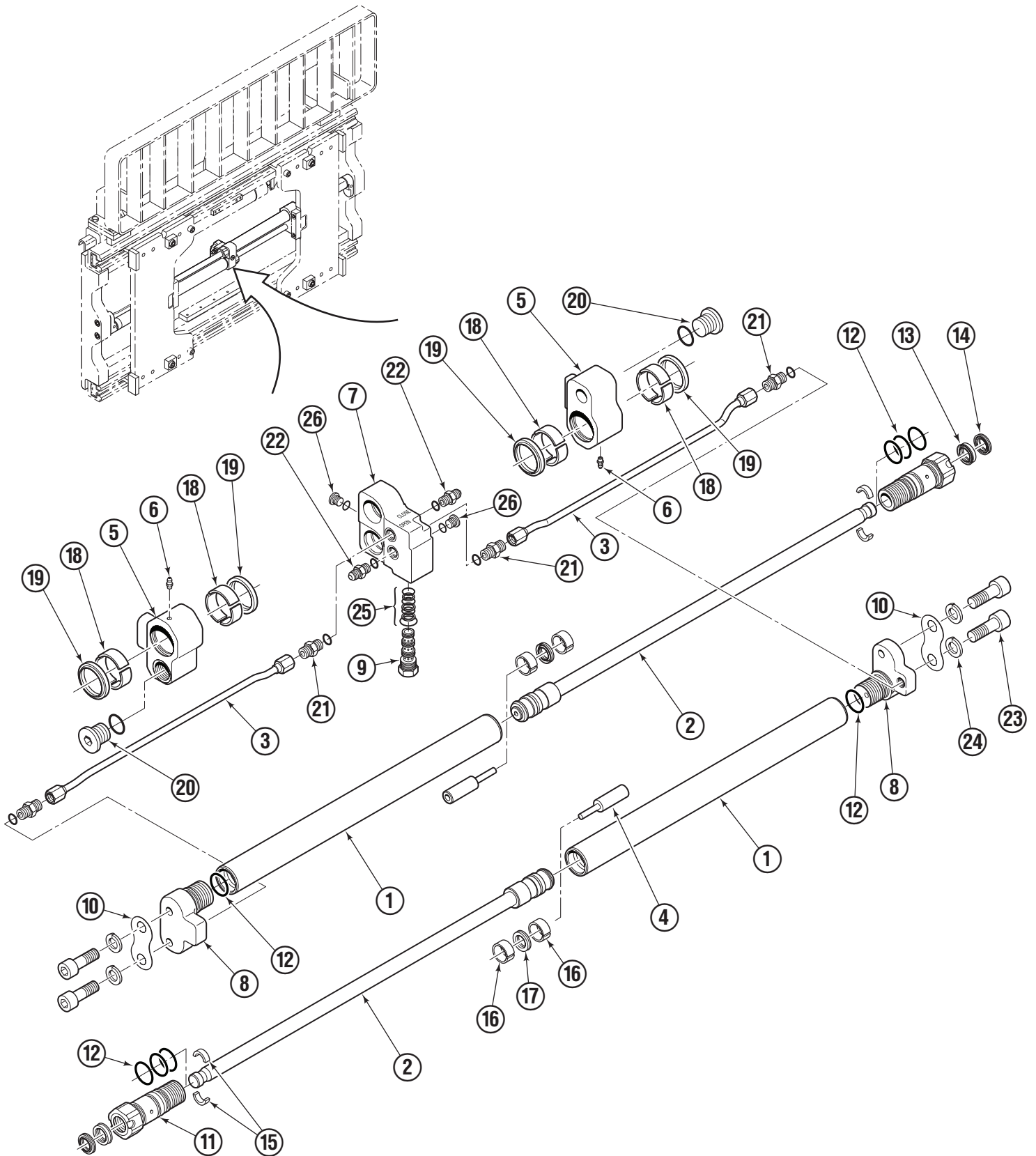


FP1726.ai

REF	QTY	PART NO.	DESCRIPTION
		6857991	High Termination Group
1	2	6095261	Valve Assembly
2	2	201671	Fitting, 6-6
3	4	6049349	Fitting, 4-6
4	2	6857971	Tube
5	2	390751	Fitting, 4-4
6	2	6857983	Hose, 795mm
7	4	604511	Fitting, 6-6 ♦

♦ Included in Fitting Group 6098404.  
Reference: S-24650

# Mechanism Assembly



FP2226.eps

# Mechanism Assembly

REF	QTY	PART NO.	DESCRIPTION
		6852465	Fork Positioner Assembly
1	2	6852461	Cylinder Shell ▲
2	2	6852463	Cylinder Rod ▲
3	2	6852464	Tube
4	2	—	Piston Spacer
5	2	6850726	Lug
6	2	424115	Grease Fitting
7	1	6850657	Manifold ★
8	2	6854674	Cylinder Head End
9	1	210266	Flow Divider Cartridge ★
10	8	6059383	Shim, .02 in. (1.5 mm)
11	2	6854672	Cylinder Retainer
12	8	6851189	O-Ring, Retainer OD ✖
13	2	564406	Rod Seal, Retainer ✖
14	2	564408	Rod Wiper, Retainer ✖
15	4	6851158	Half Ring
16	4	6851169	Piston Wear Ring ✖
17	2	6851166	Piston Seal ✖
18	4	6851184	Bearing, Composite
19	4	6851170	Shell Wiper
20	2	6851163	Rod Retainer Plug
21	4	6042689	Fitting, M10 to 6 mm EO-2
22	2	604511	Fitting, 6-6 JIC ●
23	4	769577	Capscrew, M16 x 50 ■
24	4	678992	Lockwasher, M16 ■
25	1	679992	Seal Kit ★
26	2	604510	Plug, 6 ★

▲ If cylinder shell or rod needs replacing due to bending damage, order complete Fork Positioner Assembly.

★ Included in Manifold Assembly 6850658.

✖ Included in Cylinder Service Kit 6854676.

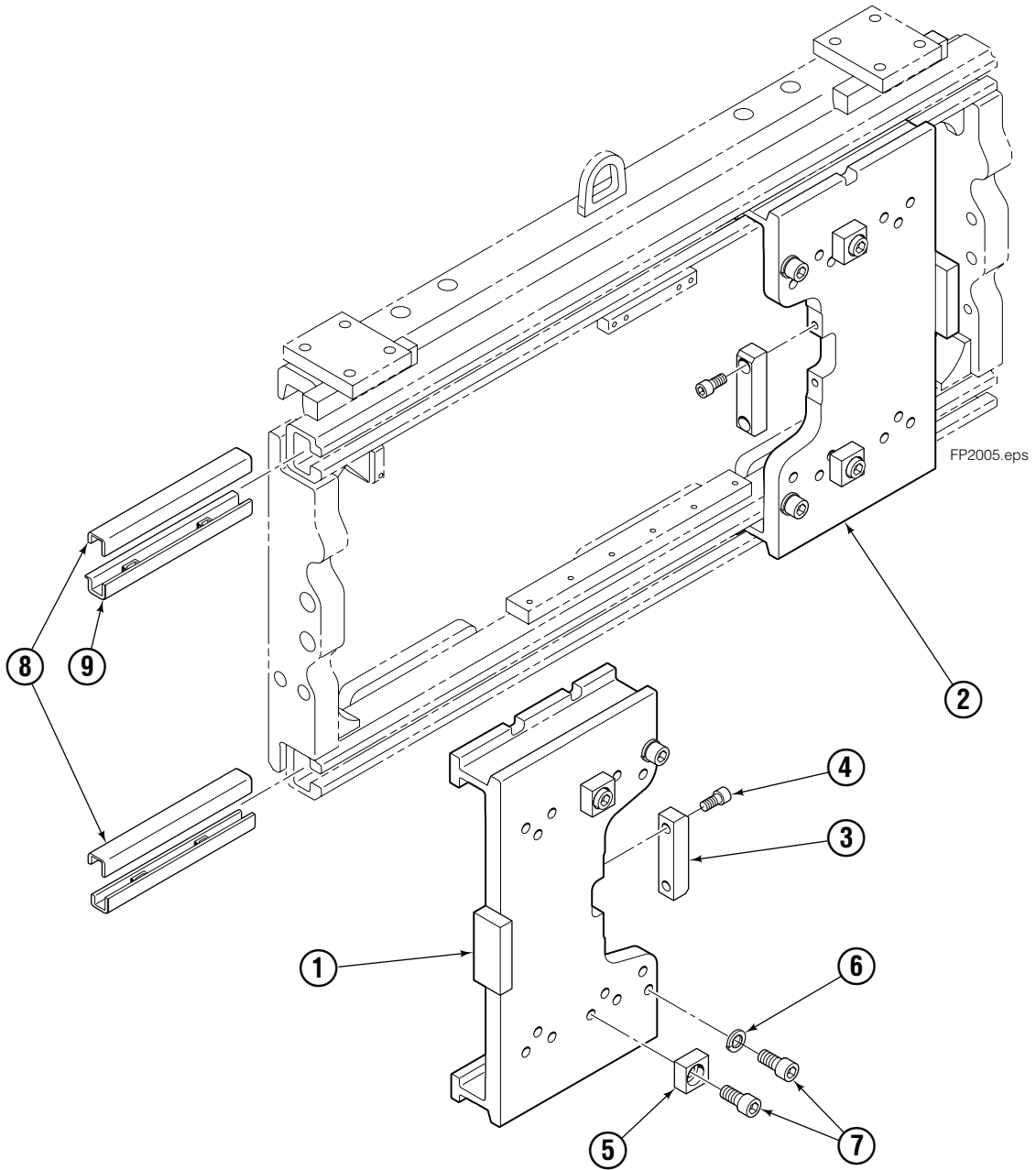
● Included in Fitting Group 6858107.

■ Included in Mounting Kit 6059460.

Reference: Common Parts 6854673, SK-44418.



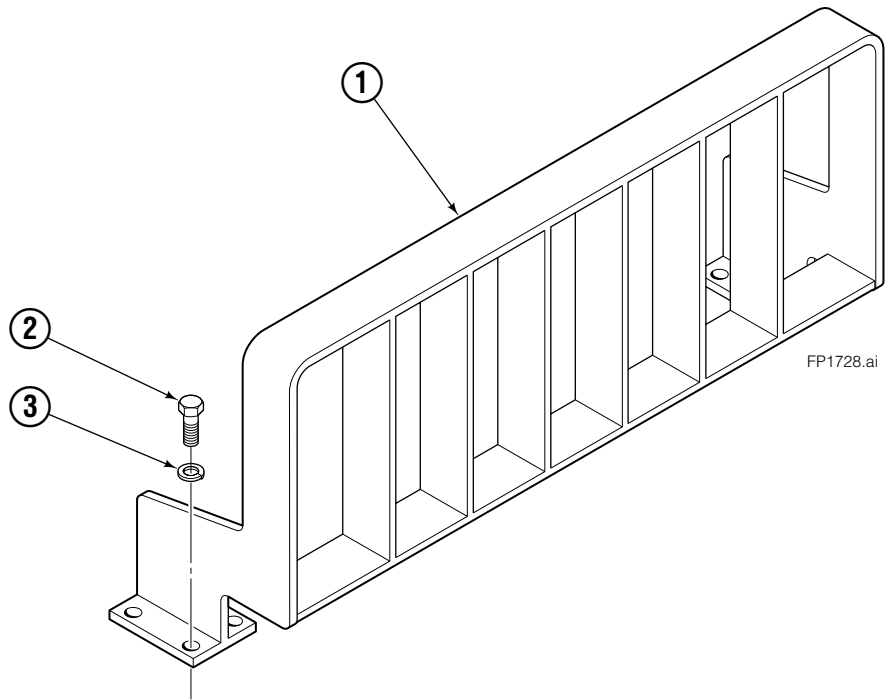
# Carrier Group



70L			
REF	QTY	PART NO.	DESCRIPTION
		6829348	Carrier Group
1	1	6829343	Carrier Arm – RH
2	1	6829344	Carrier Arm – LH
3	2	6811474	Retainer Bar
4	4	769570	Capscrew, M12 x 25
5	4	209306	Block
6	4	787386	Lockwasher, M16
7	8	768838	Capscrew, M16 x 30
8	6	6829321	◆ Bearing
9	2	6829192	◆ Lower Bearing, Upper Bar

◆ Included in Bearing Group 6829393.

# Backrest Assembly



70L			
REF	QTY	PART NO.	DESCRIPTION
		6902309	Backrest Assembly
1	1	6902310	Backrest
2	8	211128	Capscrew, M16 x 30
3	8	211179	Lockwasher, M16

Reference: Fastener Group 6812504, S-24429.



**Do you have questions you need answered right now?**

Call your nearest Cascade Parts Department.

Visit us online at [www.cascorp.com](http://www.cascorp.com)

**AMERICAS**

**Cascade Corporation  
Parts Sales**

2501 Sheridan Ave.  
Springfield, OH 45505  
Tel: 888-CASCADE (227-2233)  
Fax: 888-329-0234

**Cascade Canada Inc.**

5570 Timberlea Blvd.  
Mississauga, Ontario  
Canada L4W-4M6  
Tel: 905-629-7777  
Fax: 905-629-7785

**Cascade do Brasil**

Praça Salvador Rosa,  
131/141-Jordanópolis,  
São Bernardo do Campo - SP  
CEP 09891-430  
Tel: 55-13-2105-8800  
Fax: 55-13-2105-8899

**EUROPE-AFRICA**

**Cascade Italia S.R.L.  
European Headquarters**

Via Dell'Artigianato 1  
37030 Vago di Lavagno (VR)  
Italy  
Tel: 39-045-8989111  
Fax: 39-045-8989160

**Cascade (Africa) Pty. Ltd.**

PO Box 625, Isando 1600  
60A Steel Road  
Sparton, Kempton Park  
South Africa  
Tel: 27-11-975-9240  
Fax: 27-11-394-1147

**ASIA-PACIFIC**

**Cascade Japan Ltd.**

2-23, 2-Chome,  
Kukuchi Nishimachi  
Amagasaki, Hyogo  
Japan, 661-0978  
Tel: 81-6-6420-9771  
Fax: 81-6-6420-9777

**Cascade Korea**

121B 9L Namdong Ind.  
Complex, 691-8 Gojan-Dong  
Namdong-Ku  
Inchon, Korea  
Tel: +82-32-821-2051  
Fax: +82-32-821-2055

**Cascade-Xiamen**

No. 668 Yangguang Rd.  
Xinyang Industrial Zone  
Haicang, Xiamen City  
Fujian Province  
P.R. China 361026  
Tel: 86-592-651-2500  
Fax: 86-592-651-2571

**Cascade India Material  
Handling P Ltd**

Sy no 271/8, Ingawale Patil  
Estate,  
Godown No.9,10 & 11, Bhugaon,  
Off Paud Road, Tal Mulshi, Dist  
Pune 411 042

**Cascade Australia Pty. Ltd.**

36 Kiln Street  
Darra QLD 4076  
Australia  
Tel: 1-800-227-223  
Fax: +61 7 3373-7333

**Cascade New Zealand**

15 Ra Ora Drive  
East Tamaki, Auckland  
New Zealand  
Tel: +64-9-273-9136  
Fax: +64-9-273-9137

**Sunstream Industries  
Pte. Ltd.**

18 Tuas South Street 5  
Singapore 637796  
Tel: +65-6795-7555  
Fax: +65-6863-1368

