



Parts Manual

Model _____ **Bale Clamp**

Catalog Number _____ **35D-BCS-64A R0**

cascade®
corporation

For Technical Assistance call: 800-227-2233, Fax: 888-329-8207

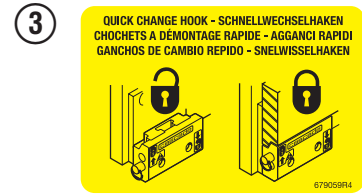
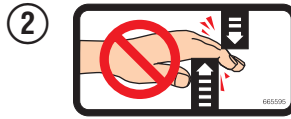
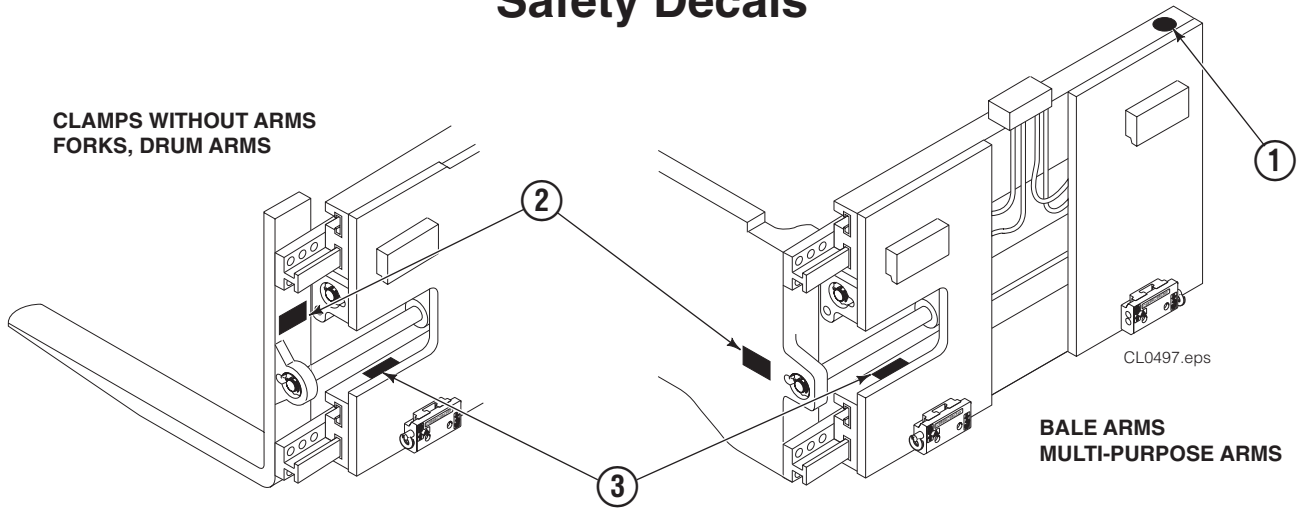
To Order Parts call: 888-227-2233, Fax: 888-329-0234

OR

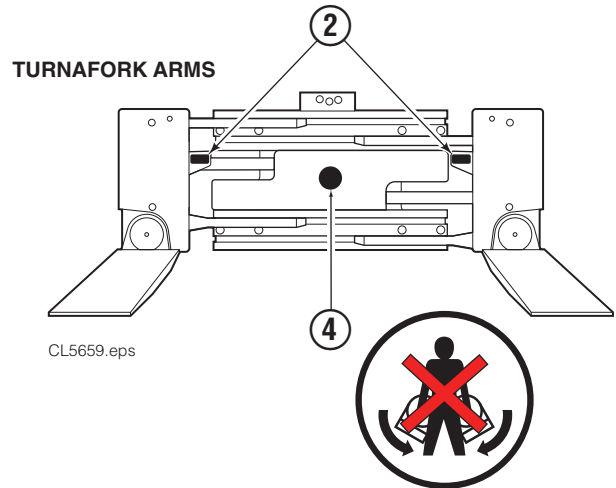
Write: Cascade Corporation, P.O. Box 20187, Portland, OR 97220

Internet: www.cascorp.com

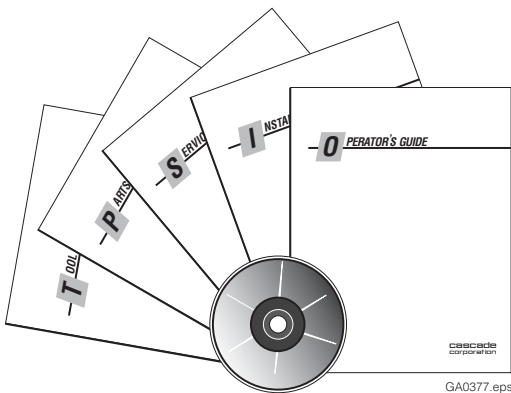
Safety Decals



D-Clamp			
REF	QTY	PART NO.	DESCRIPTION
1	1	679150	No Step Decal
2	2	665595	No Hand Hold Decal
3	1	679059	Quick-Change Hook Decal
4	1	672046	TURNAFORK Arm Operation

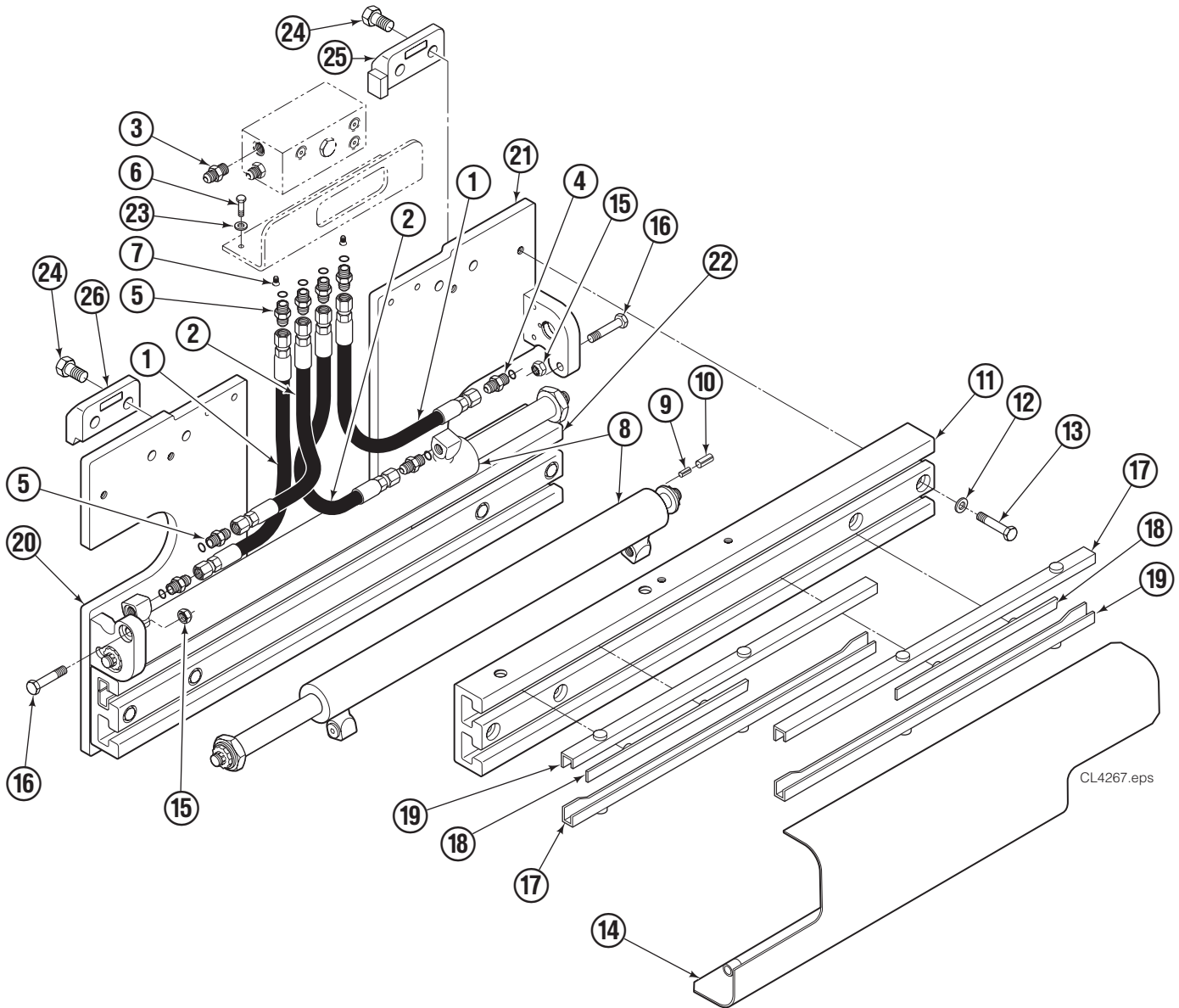


Publications



D-Clamp	
669224	Service Manual
672944	Operator Guide
668987	Installation Instructions
679929	Tool Catalog

Base Unit Group

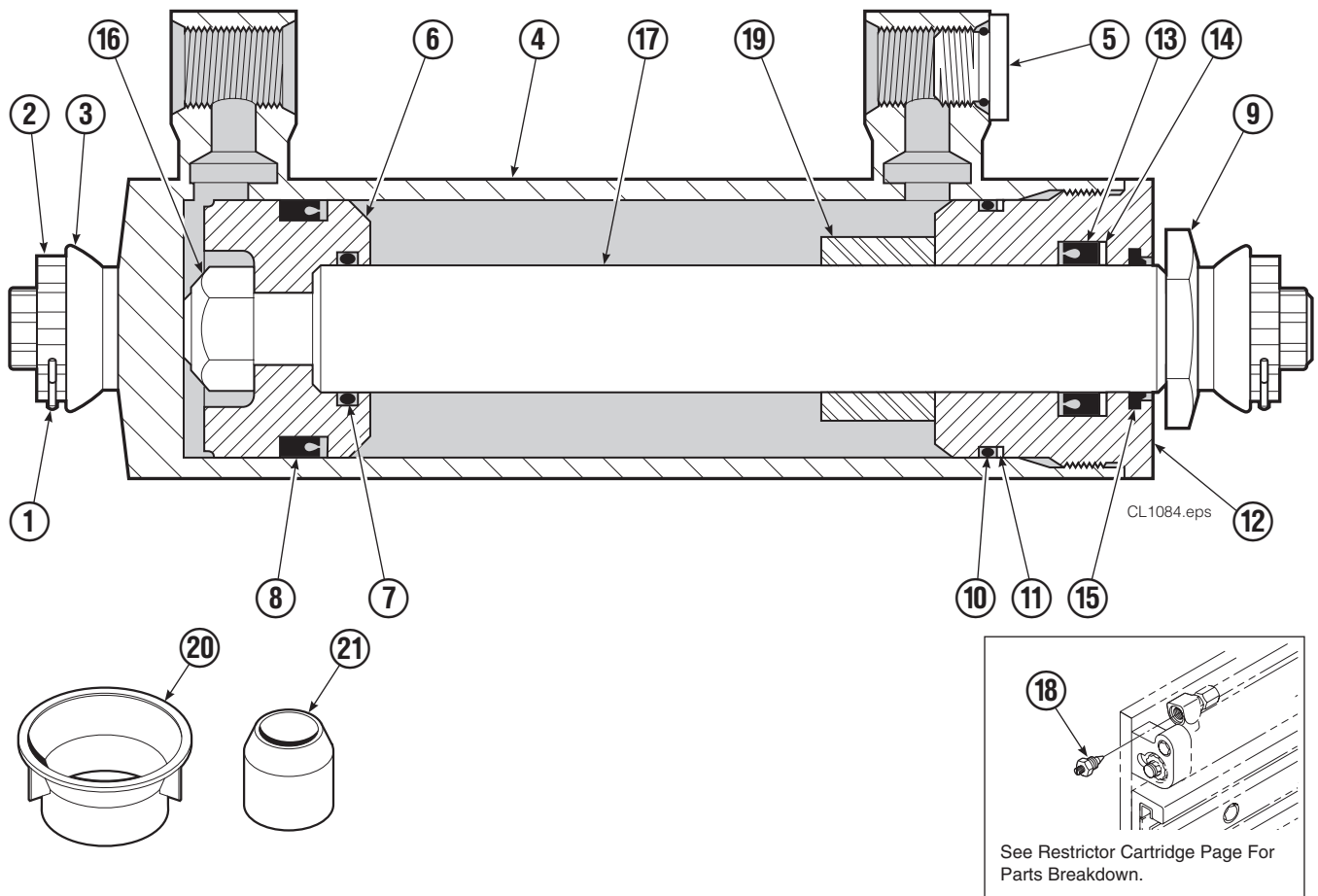


35D							
REF	QTY	PART NO.	DESCRIPTION	REF	QTY	PART NO.	DESCRIPTION
		680252	Base Unit Group (R16)	14	1	682098	Bumper
1	2	207425	Hose, 24.00 in.	15	2	665707	Nut, 1/2
2	2	676084	Hose, 16.50 in.	16	2	633523	Capscrew, 1/2 x 2.50
3	1	601377	Fitting, 8-8	17	4	668910	Bearing
4	2	686369	Fitting	18	4	667663	Bearing
5	6	611288	Fitting, 6-8	19	4	668911	Bearing
6	2	671222	Capscrew, .375 x .75	20	1	680620	Mounting Plate – RH
7	2	4750	Capscrew, .375 x .75	21	1	680619	Mounting Plate – LH
8	2	680488	Cylinder ◆	22	1	674168	Frame – Lower
9	2	7861	Roll Pin – Inner	23	2	6230	Washer
10	2	7962	Roll Pin – Outer	24	4	768577	Capscrew, M20 x 35
11	1	671549	Frame – Upper	25	1	6002330	Upper Hook – LH
12	8	667910	Washer, 1/2	26	1	210491	Upper Hook – RH
13	8	667909	Capscrew, 1/2 x 3.00				

◆ See Cylinder page for parts breakdown.

Reference: SK-5299.

Cylinder Assembly

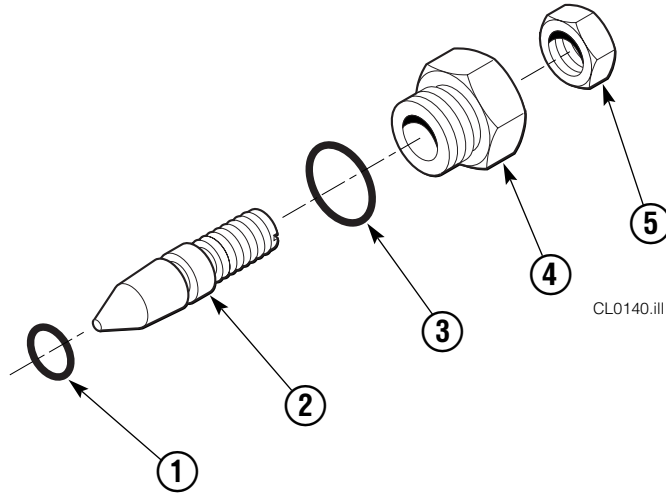


35D							
REF	QTY	PART NO.	DESCRIPTION	REF	QTY	PART NO.	DESCRIPTION
		680488	Cylinder Assembly	12	1	667917	Retainer
1	2	6510	■ Cotter Pin	13	1	662448	▲ Seal
2	2	667624	■ Nut Retainer	14	1	638243	▲ Nylon Ring
3	2	667625	■ Nut	15	1	636853	▲ Wiper
4	1	335727	Shell	16	1	668031	Nut
5	1	602580	Fitting	17	1	335728	Rod
6	1	558400	Piston	18	2	667609	Restrictor Cartridge ●
7	1	2716	▲ O-Ring	19	1	—	Spacer
8	1	662454	▲ Seal	20	1	671048	▲ Seal Loader, Piston
9	1	667626	Washer	21	1	671051	▲ Seal Loader, Retainer
10	1	2787	▲ O-Ring			667995	Service Kit
11	1	615130	▲ Back-Up Ring				

■ Included in Nut Service Kit 668926.
Reference: S-7625, S-7662.

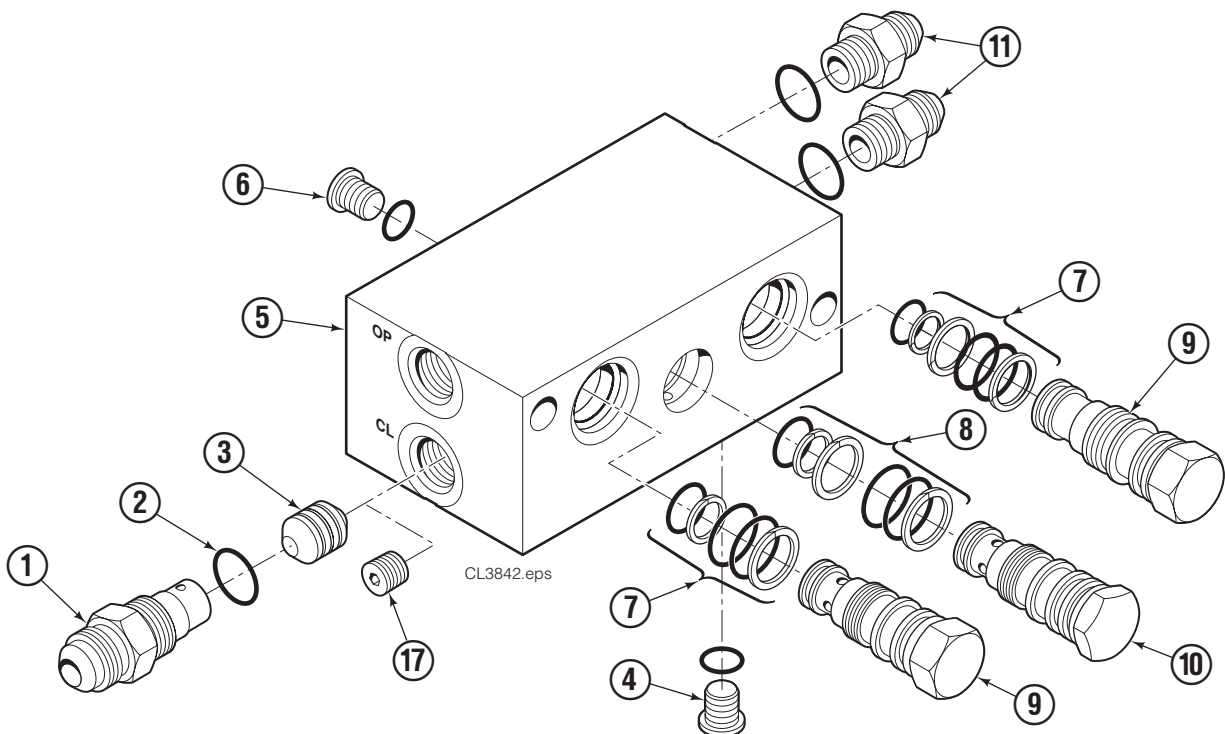
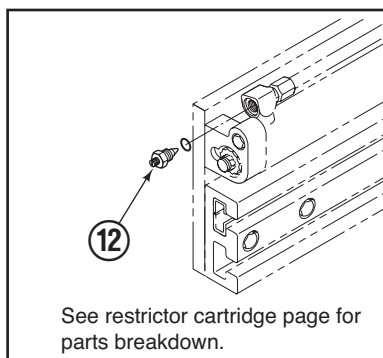
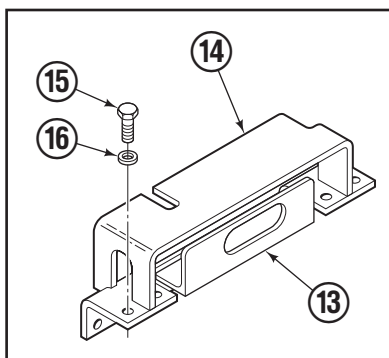
▲ Included in Service Kit 667995.
● Not included in Cylinder Assembly.

Restrictor Cartridge



REF	QTY	PART NO.	DESCRIPTION
		667609	Restrictor Cartridge
1	1	2701	O-Ring
2	1	667611	Plunger
3	1	2841	O-Ring
4	1	667610	Plug - Special
5	1	5716	Jam Nut

Valve Group Sideshift



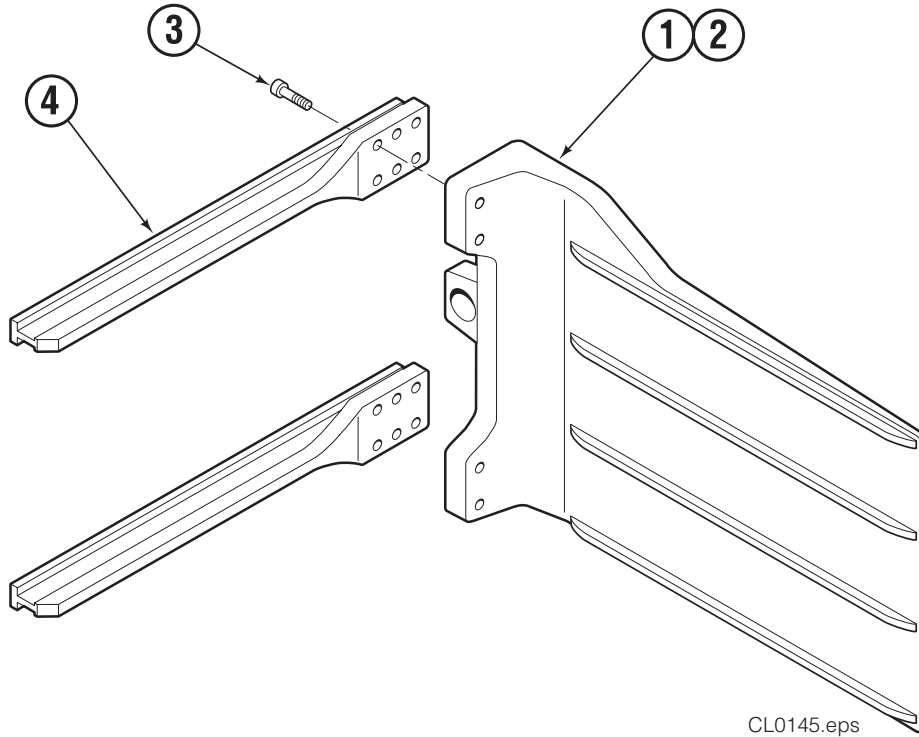
REF	QTY	PART NO.	DESCRIPTION	REF	QTY	PART NO.	DESCRIPTION
		668915	Valve Group – R3 ■	10	1	678270	Check Valve – VPO
	1	668865	Check Valve – R5 ◆	11	2	604511	Fitting, 6-6
1	1	667490	Special Fitting	12	2	667609	Restrictor Cartridge
2	1	2841	● O-Ring	13	1	669999	Bracket
3	1	667471	Spool	14	1	670002	Guard – 25D/35D
4	1	609455	Fitting	14	1	670000	Guard – 40D/50D
5	1	668866	Valve Body	15	4	677828	Capscrew, 1/2 x 1.00
6	1	604510	Fitting, 6	16	4	667910	Washer, 1/2
7	2	661576	● Service Kit	17	1	676343	Regeneration Elimination Plug ▲
8	1	661347	● Service Kit			668868	Service Kit
9	2	6038929	Check Valve – PO				

- Includes items 1 – 13 only.
- ◆ Includes items 1 – 10 only.
- Included in Service Kit 668868.

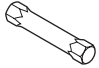
- ▲ For eliminating regeneration circuit only.
See Technical Bulletin 121.

Reference: Guard Groups 670005, 670006,
SK-5299, SK-5300, SK-5302.

Bale Arm Group



CL0145.eps

ARM CAPSCREW EXTENSION TOOL Required for Proper Torquing of Capscrews		
	35D/50D	667699

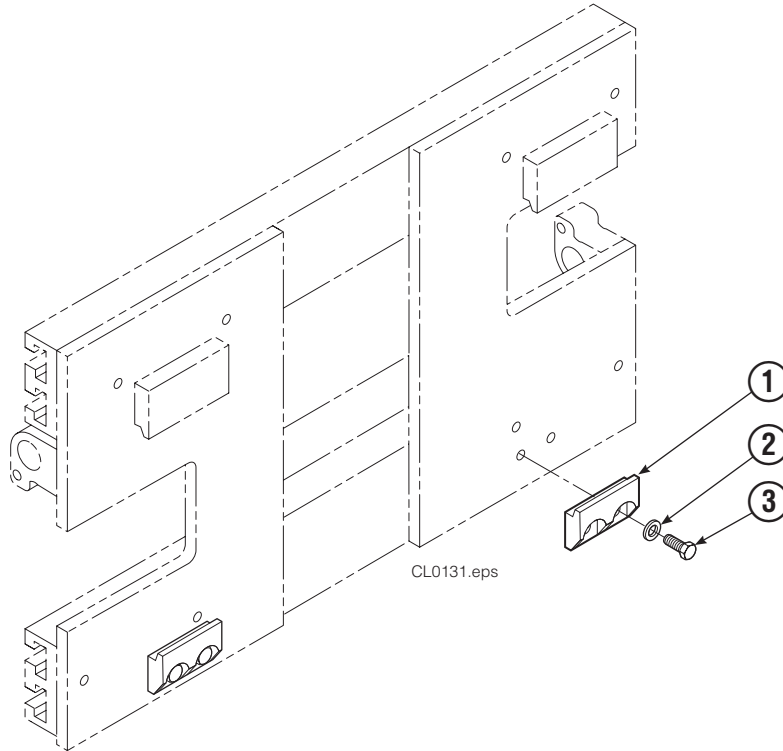
35D			
REF	QTY	PART NO.	DESCRIPTION
		680326	Bale Arm Group – LH ◆
		680327	Bale Arm Group – RH ■
1	1	680334	Arm Weldment – LH
2	1	680342	Arm Weldment – RH
3	24	607103	Capscrew, 3/4 x 1.50
4	4	667905	Arm Bar

◆ Includes items 1 & 3 only.

■ Includes items 2 & 3 only.

Reference: S-3273, S-3274.

Bolt-On Mounting Group



Class II			
REF	QTY	PART NO.	DESCRIPTION
		678934	Mounting Group
1	2	675968	Lower Hook
2	4	667225	Washer, 5/8
3	4	667369	Capscrew, 5/8 x 1.25

Recommended Spare Parts List

Bale Clamp 35D-BCS-64A R0				
PART NUMBER	DESCRIPTION	ATTACHMENTS SERVICED		
		1-5	6-19	20-50
	BASE UNIT GROUP			
207425	Hose	0	1	2
676084	Hose	0	1	2
671549	Frame-Upper	0	1	2
674168	Frame-Lower	0	1	2
682098	Bumper	0	0	1
668910	Bearing	4	8	12
667663	Bearing	4	8	12
668911	Bearing	4	8	12
599489	Graphite Lubricant, 16 oz. Aerosol	2	4	6
	CYLINDER			
680488	Cylinder Assembly	0	0	1
335727	Shell	0	1	1
558400	Piston	0	0	2
667917	Retainer	0	0	2
335728	Rod	0	1	2
668926	Nut Kit	0	2	4
667995	Service Kit	2	4	8
	CHECK VALVE			
668865	Check Valve-Sideshift	0	0	1
661576	Service Kit-PO	2	4	6
661347	Service Kit-VPO	1	2	4
6038929	Check Valve-PO	1	1	2
678270	Check Valve-VPO	1	1	2
668868	Service Kit	1	2	3
	MOUNTING			
667369	Capscrew	0	4	8
675968	Hook	0	4	8
	ARMS			
607103	Capscrew	24	24	24
	TOOL			
667699	Arm Capscrew Extension	1	2	2
	PAINT			
685660	12 oz. Aerosol Heritage White	1	1	1
	PUBLICATIONS			
	Parts Manual	1	1	1
669224	Service Manual	1	1	1
668987	Installation Instruction	1	1	1
672944	Operator's Guide	1	1	1
679929	Tool Catalog	1	1	1
	VIDEOS			
680664	Servicing Cascade Cylinders	1	1	1

Do you have questions you need answered right now?

Call your nearest Cascade Parts Department.

Visit us online at www.cascorp.com

AMERICAS

**Cascade Corporation
Parts Sales**

2501 Sheridan Ave.
Springfield, OH 45505
Tel: 888-CASCADE (227-2233)
Fax: 888-329-0234

Cascade Canada Inc.

5570 Timberlea Blvd.
Mississauga, Ontario
Canada L4W-4M6
Tel: 905-629-7777
Fax: 905-629-7785

Cascade do Brasil

Praça Salvador Rosa,
131/141-Jordanópolis,
São Bernardo do Campo - SP
CEP 09891-430
Tel: 55-13-2105-8800
Fax: 55-13-2105-8899

EUROPE-AFRICA

**Cascade Italia S.R.L.
European Headquarters**

Via Dell'Artigianato 1
37030 Vago di Lavagno (VR)
Italy
Tel: 39-045-8989111
Fax: 39-045-8989160

Cascade (Africa) Pty. Ltd.

PO Box 625, Isando 1600
60A Steel Road
Sparton, Kempton Park
South Africa
Tel: 27-11-975-9240
Fax: 27-11-394-1147

ASIA-PACIFIC

Cascade Japan Ltd.

2-23, 2-Chome,
Kukuchi Nishimachi
Amagasaki, Hyogo
Japan, 661-0978
Tel: 81-6-6420-9771
Fax: 81-6-6420-9777

Cascade Korea

121B 9L Namdong Ind.
Complex, 691-8 Gojan-Dong
Namdong-Ku
Inchon, Korea
Tel: +82-32-821-2051
Fax: +82-32-821-2055

Cascade-Xiamen

No. 668 Yangguang Rd.
Xinyang Industrial Zone
Haicang, Xiamen City
Fujian Province
P.R. China 361026
Tel: 86-592-651-2500
Fax: 86-592-651-2571

**Cascade India Material
Handling P Ltd**

Sy no 271/8, Ingawale Patil
Estate,
Godown No.9,10 & 11, Bhugaon,
Off Paud Road, Tal Mulshi, Dist
Pune 411 042

Cascade Australia Pty. Ltd.

36 Kiln Street
Darra QLD 4076
Australia
Tel: 1-800-227-223
Fax: +61 7 3373-7333

Cascade New Zealand

15 Ra Ora Drive
East Tamaki, Auckland
New Zealand
Tel: +64-9-273-9136
Fax: +64-9-273-9137

**Sunstream Industries
Pte. Ltd.**

18 Tuas South Street 5
Singapore 637796
Tel: +65-6795-7555
Fax: +65-6863-1368

