



Damage-free handling of multiple pulp bales.

APPLICATIONS

For high-volume, damage free and secure handling of pulp bales and unitized pulp in stevedoring, mill, warehousing, shipboard and transporting operations.

FEATURES

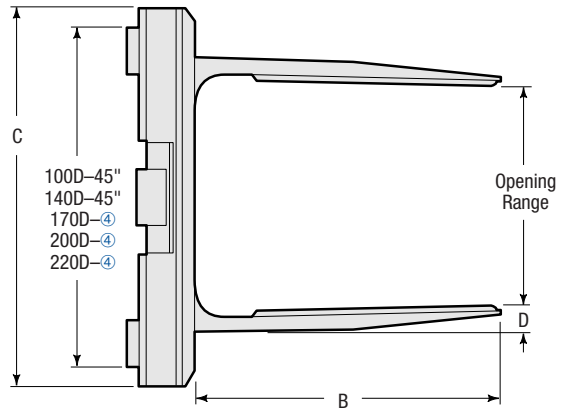
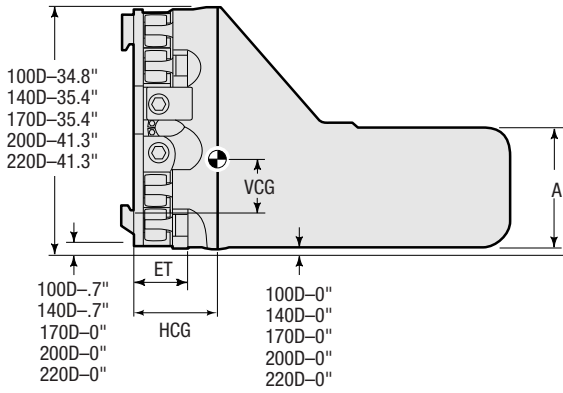
- Rugged, lightweight and dependable construction
- Heavy-duty arm castings for maximum strength
- Integral sideshift for accurate load placement
- Superior clamp capacity-to-weight ratio
- Excellent net truck capacity rating
- Unparalleled visibility
- Cartridge type clamp check valve
- Integral box section arms
- Fast arm speed
- Easy to service

OPTIONS

- Extended opening ranges
- Integral or pin mounting
- Various bale arm sizes and designs
- Choice of bale arm facing
- Metalized bale arms
- Articulated bale arm
- Center divider for handling six units

High-capacity pulp bale clamps for stevedoring and other demanding applications.

100D-220D PULP BALE CLAMPS



Capacity @ Load Center		Opening Range ITI	Catalog Order No. ①	Mfg. Class	Lost Lift	Arm Height ②		Weight	Effective Thickness	Horizontal Ctr. of Gravity	Vertical Ctr. of Gravity	Overall Width	Arm ② Thickness	
lbs @ inches	kg @ mm					A	B							lbs
9,000 @ 35	4,085 @ 890	25.0"-93.0"	100D-PBS-55C	IV	0"	18.0"	55"	2,370	1,076	7.5"	10.0"	12.5"	58"	Consult Cascade
9,000 @ 35	4,085 @ 890	25.0"-93.0"	100D-PBS-60C	IV	0"	18.0"	60"	2,470	1,121	7.5"	11.0"	12.5"	58"	
9,000 @ 35	4,085 @ 890	25.0"-93.0"	100D-PBS-63C	IV	0"	18.0"	63"	2,530	1,149	7.5"	11.5"	12.5"	58"	
11,000 @ 32	4,995 @ 815	25.0"-75.0"	140D-PBS	IV ③	0"	18.0"	50"	2,400	1,090	7.5"	13.0"	12.5"	50"	Consult
11,000 @ 32	4,995 @ 815	25.0"-93.0"	140D-PBS	IV ③	0"	18.0"	55"	2,570	1,167	7.5"	10.2"	12.5"	58"	Cascade
11,000 @ 32	4,995 @ 815	25.0"-93.0"	140D-PBS	IV ③	0"	18.0"	60"	2,670	1,212	7.5"	11.2"	12.5"	58"	Consult
11,000 @ 32	4,995 @ 815	36.0"-106.0"	140D-PBS	IV ③	0"	18.0"	60"	2,740	1,244	7.5"	10.8"	12.5"	64"	Cascade
11,000 @ 32	4,995 @ 815	27.0"-122.0"	140D-PBS	IV ③	0"	18.0"	55"	2,850	1,294	7.5"	9.5"	12.5"	78"	Consult
11,000 @ 32	4,995 @ 815	27.0"-122.0"	140D-PBS	IV ③	0"	18.0"	60"	2,950	1,339	7.5"	10.0"	12.5"	78"	Cascade
11,000 @ 32	4,995 @ 815	28.0"-96.0"	140D-PBS-48/48	IV ③	6.5"	48.0"	48"	4,220	1,916	9.8"	17.2"	18.1"	58"	Consult
14,000 @ 32	6,535 @ 815	27.5"-122.0"	170D-PBS	④	0"	18.0"	63"	3,355	1,523	8.8"	10.9"	13.0"	83"	Cascade
18,000 @ 32	8,170 @ 815	28.0"-128.0"	200D-PBS	④	0"	20.0"	63"	5,070	2,302	11.6"	13.6"	14.75"	93"	Consult Cascade
18,000 @ 32	8,170 @ 815	27.0"-145.0"	200D-PBS	④	0"	20.0"	63"	5,400	2,452	11.6"	13.1"	14.75"	106"	
18,000 @ 32	8,170 @ 815	47.0"-165.0"	200D-PBS	④	0"	20.0"	63"	5,790	2,629	11.6"	12.8"	14.75"	126"	
22,000 @ 32	9,979 @ 815	27.0"-160.0"	220D-PBS	④	0"	20.0"	55"	7,110	3,225	12.7"	11.9"	21.4"	126"	

- ① 100D, 140D, 170D & 200D arms are integral box section.
- ② Other arm facings available.
- ③ Optional pin mounting available.
- ④ Pin mounted.

INSTALLATION KIT

Catalog Order No.	Suggested List Price U.S.A. \$
Consult Cascade	Consult Cascade

HYDRAULIC FLOW AND PRESSURE

Minimum	Recommended	Maximum	Max. Pressure
10 GPM	15 GPM	24 GPM	2,300 PSI

HYDRAULIC FUNCTIONS

Hydraulic Functions	Truck Auxiliary Valves Required
2	2

MOUNTING CLASS INFORMATION

Mounting Class	Truck Capacity
IV	10,001-17,500 lbs./4,545-7,955 kgs.