

The ability to clamp, rotate, and push your product.

Retain your pallets in-house, and reduce your total pallet inventory.

APPLICATIONS

Cascade's INVERTAPUSH™ may be used in nearly every operation that ships unit loads of bags or cartons, such as fertilizer, grain, cement, mail, sugar, canned goods, boxed goods, glass and plastic.

FEATURES

- **Retrieving your pallets with an INVERTAPUSH™**

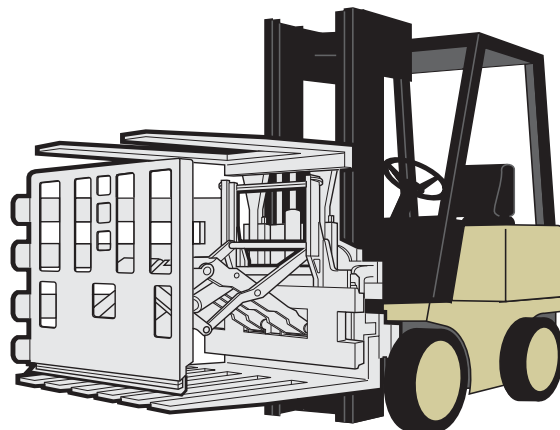
The INVERTAPUSH™ enables you to warehouse your products on in-house, 'captive' pallets. For shipping, the INVERTAPUSH™ places the load on a slip-sheet, customer pallet or directly on the transit vehicle floor, then retrieves your pallet. Your pallets need never leave the warehouse.

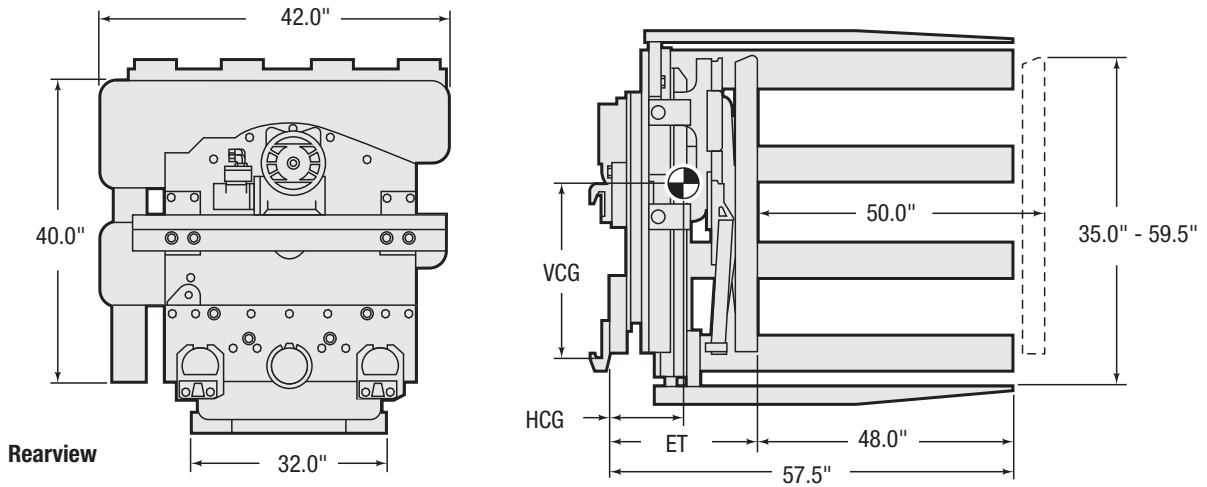
- **Retaining your expensive pallets in-house eliminates the need to dead-head pallets after unloading at the destination.**

The receiver has no return costs to pay and you can reduce your total pallet inventory. The INVERTAPUSH™ consists of two opposing sets of forks for clamping, an automatically sequenced stabilizer arm on the side with forks, an integral sideshifter, a rotator to invert or rotate the load and a push plate for push-off load deposit.

HOW IT WORKS

- 1 Bottom forks are inserted in pallet. Load is clamped against upper forks. Side stabilizer engages load to secure it for rotation.
- 2 As truck moves to load-out point, INVERTAPUSH™ turns 180° so pallet is on top of load. Slipsheet or customer pallet (if used) is now on bottom.
- 3 Forks lift pallet off load. Operator pushes off and backs away simultaneously.





Catalog Order No.	Capacity @ 24" (600 mm) Load Center		Arm Length	Mtg. Class	Mounting Angle	Hydraulic Functions	Weight		Effective Thickness	Horizontal Ctr. of Gravity	Vertical Ctr. of Gravity
	lbs	kg					lbs	kg			
45E-IVP	4,000	1,815	48"	III	0°	4	3000	1,362	20	14.8"	18.0"

① This base unit is equipped with solenoids and may be controlled with either one or two auxiliary valves on the truck. **IMPORTANT:** Solenoid voltage must match truck voltage. Please specify truck voltage when ordering.

- ▶ A push/pull model is also available. Consult Cascade.
- ▶ Modifications of type, size, mounting, spread of arms and opening and closing ranges are available. Consult Cascade.
- ▶ Worksheet required at time of order.

Hydraulic Flow

Minimum	Recommended	Maximum	Maximum Pressure
5 GPM	7 GPM	10 GPM	2,300 PSI

Installation Kit

Catalog Order No.

685559

OPTIONS

- Load push/pull mechanism
- Various opening and closing ranges
- Various types, sizes and spreads of arms
- Class II and IV mounting