



## Designed to handle jumbo rolls.

### APPLICATIONS

Advancements in large, wide high-speed printing presses have increased the requirements to effectively handle large 3 meter (120") and longer rolls at paper mills, transportation companies, warehousing locations and new printing plants. The 130F and 160F Paper Roll Clamps were developed specifically for these applications. Well-suited for handling large rolls of kraft, linerboard and coated paper stocks.

### FEATURES

#### **Reduce Roll Damage**

- Proven contact pad shape and surface holds rolls securely.
- Thin arm profile and smooth arm contour eases roll breakout and permits close stacking.
- Positioned Short Arm and Swing Frame models maintain thin arm profile over a wide range of roll diameters.

#### **Fast Roll Handling**

- Good visibility through and around clamp.
- Continuous 360° rotation.

#### **Durability**

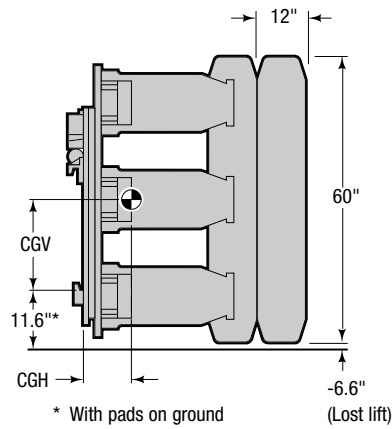
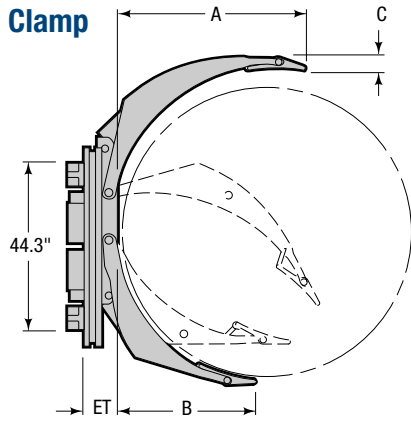
- Unitized construction provides structural integrity in arms and frame.
- Heavy-duty rotator drive train.
- Pivot bushings are lube-free and provide longer service life.

### OPTIONS

- AFC (Adaptive Force Control) for automatic control of clamping pressure that changes as roll weight changes.
- 180° mechanical stop group.
- Rotational Control for precise 180° and 90° (bilge) positioning.
- Split arm for handling multiple rolls of different sizes.

*A versatile,  
high-production  
roll clamp for  
large rolls.*

## 130F Paper Roll Clamp



\* With pads on ground

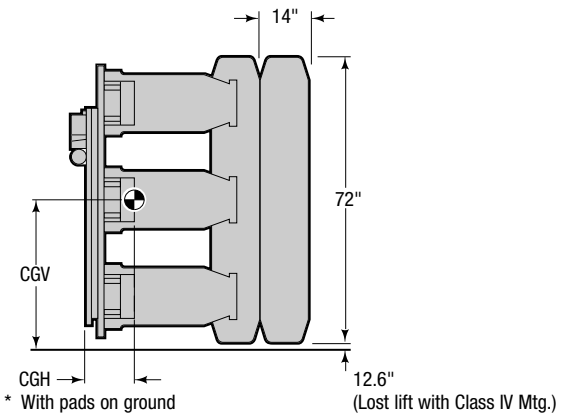
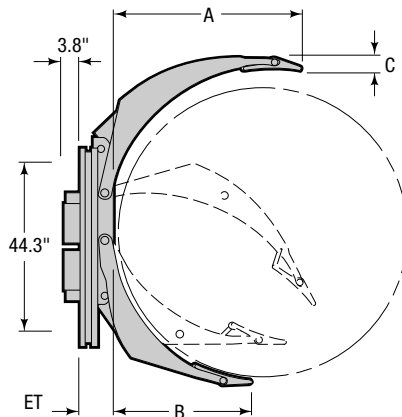
(Lost lift)

Capacity Lbs. @ Diameter	Roll Range	Type	Catalog Order No.	Weight (Lbs.)	Mounting Class	Mounting Angle ①	Effective Thickness	Horizontal Center of Gravity	Vertical Center of Gravity	Long Arm Length	Short Arm Length	Long Arm Thickness
							ET	CGH	CGV	A	B	C
15,000 @ 51"	10"-51"	Positioned Short Arm	<b>130F-RCP-01C</b>	4,790	IV	2°	10.4"	13.3"	25.6"	37.4"	23.8"	5.1"
13,000 @ 60"	15"-60"	Positioned Short Arm	<b>130F-RCP-03C</b>	5,030	IV	2°	10.4"	14.5"	25.6"	39.1"	27.7"	3.1"
11,000 @ 72"	20"-72"	Positioned Short Arm	<b>130F-RCP-05C</b>	5,505	IV	2°	10.4"	15.6"	25.6"	45.1"	33.1"	3.1"
9,200 @ 84"	35"-84"	Positioned Short Arm	<b>130F-RCP-07C</b>	5,985	IV	2°	10.4"	16.8"	25.6"	51.1"	38.2"	3.1"

① 2° mounting provides reduced effective thickness (Lost Load) and ease in handling horizontal (bilge) rolls. 0° mounting must be used when stacking above 300".

- ▶ Uses Spray Metal pads.
- ▶ Installation kit: 675158

## 160F Paper Roll Clamp



\* With pads on ground

(Lost lift with Class IV Mtg.)

Capacity Lbs. @ Diameter	Roll Range	Type	Catalog Order No.	Weight (Lbs.)	Effective Thickness	Horizontal Center of Gravity	Verticle Center of Gravity	Long Arm Length	Short Arm Length	Long Arm Thickness
					ET	CGH	CGV	A	B	C
18,800 @ 51"	10"-51"	Positioned Short Arm	<b>160F-RCP-07C</b>	5,735	9.5"	11.5"	36.0"	38.4"	24.8"	5.1"
16,000 @ 60"	15"-60"	Positioned Short Arm	<b>160F-RCP-01C</b>	5,975	9.5"	12.7"	36.0"	40.1"	28.7"	3.1"
13,300 @ 72"	20"-72"	Positioned Short Arm	<b>160F-RCP-03C</b>	6,450	9.5"	13.8"	36.0"	46.1"	34.1"	3.1"
11,400 @ 84"	35"-84"	Positioned Short Arm	<b>160F-RCP-05C</b>	6,930	9.5"	15.0"	36.0"	52.1"	39.2"	3.1"

- ▶ Specifications are without mounting. Class V or pin mounting available. Consult Cascade.
- ▶ ET and CGH measured from back of baseplate; CGV measured from ground with 72" high pads on ground.

- ▶ Uses Spray Metal pads.
- ▶ Installation kit: 675158