



Parts Manual

Model Carton Clamp

Catalog Number 20D-11932

cascade®
corporation

For Technical Assistance call: 800-227-2233, Fax: 888-329-8207

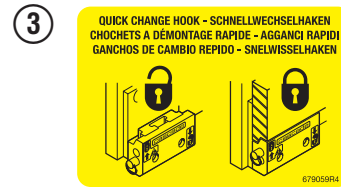
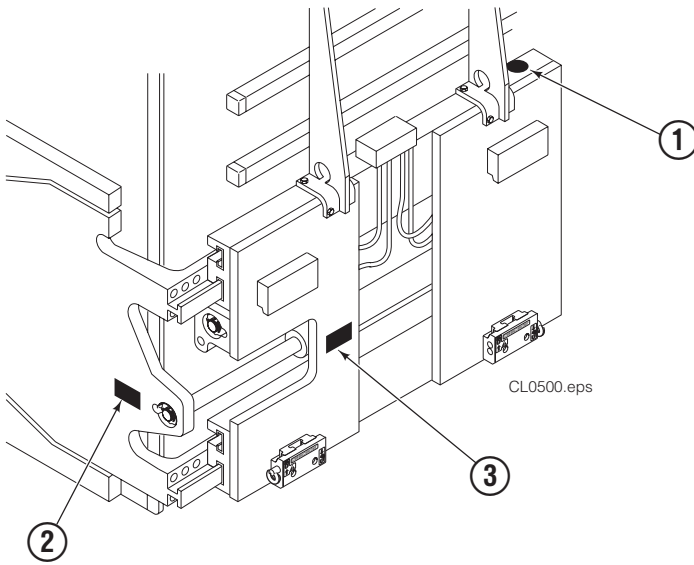
To Order Parts call: 888-227-2233, Fax: 888-329-0234

OR

Write: Cascade Corporation, P.O. Box 20187, Portland, OR 97220

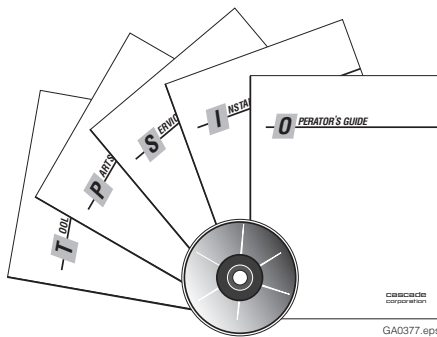
Internet: www.cascorp.com

Safety Decals



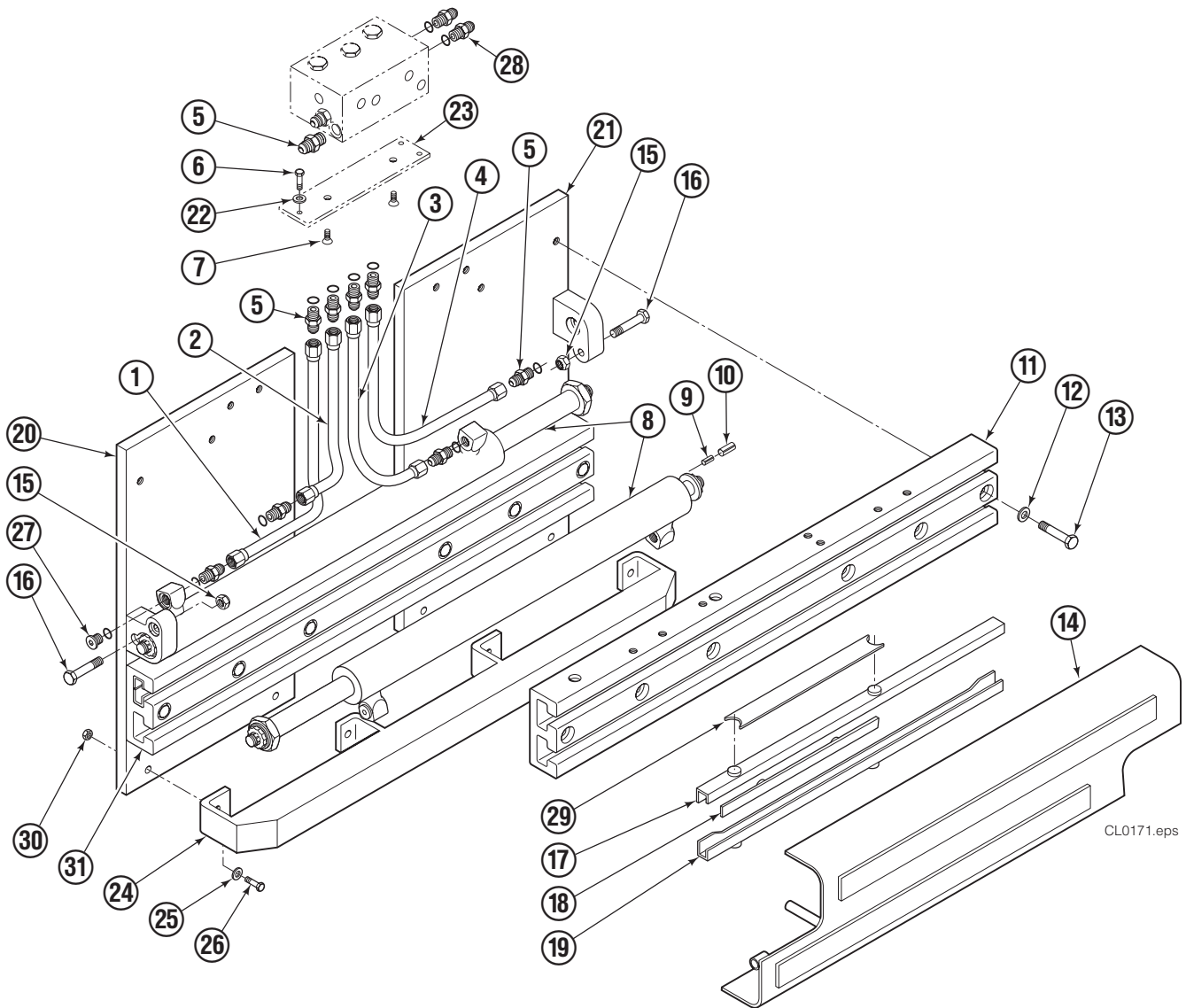
D-Carton Clamp			
REF	QTY	PART NO.	DESCRIPTION
1	1	679150	No Step Decal
2	2	665595	Pinch Point Decal
3	1	679059	Quick-Change Hook Decal

Publications



D-Carton Clamp	
228156	Service Manual (Current Models)
670487	Service Manual (Early Models, prior to 2000)
210273	Operator Guide
670488	Installation Instructions
679929	Tool Catalog

Base Unit Group



CL0171.eps

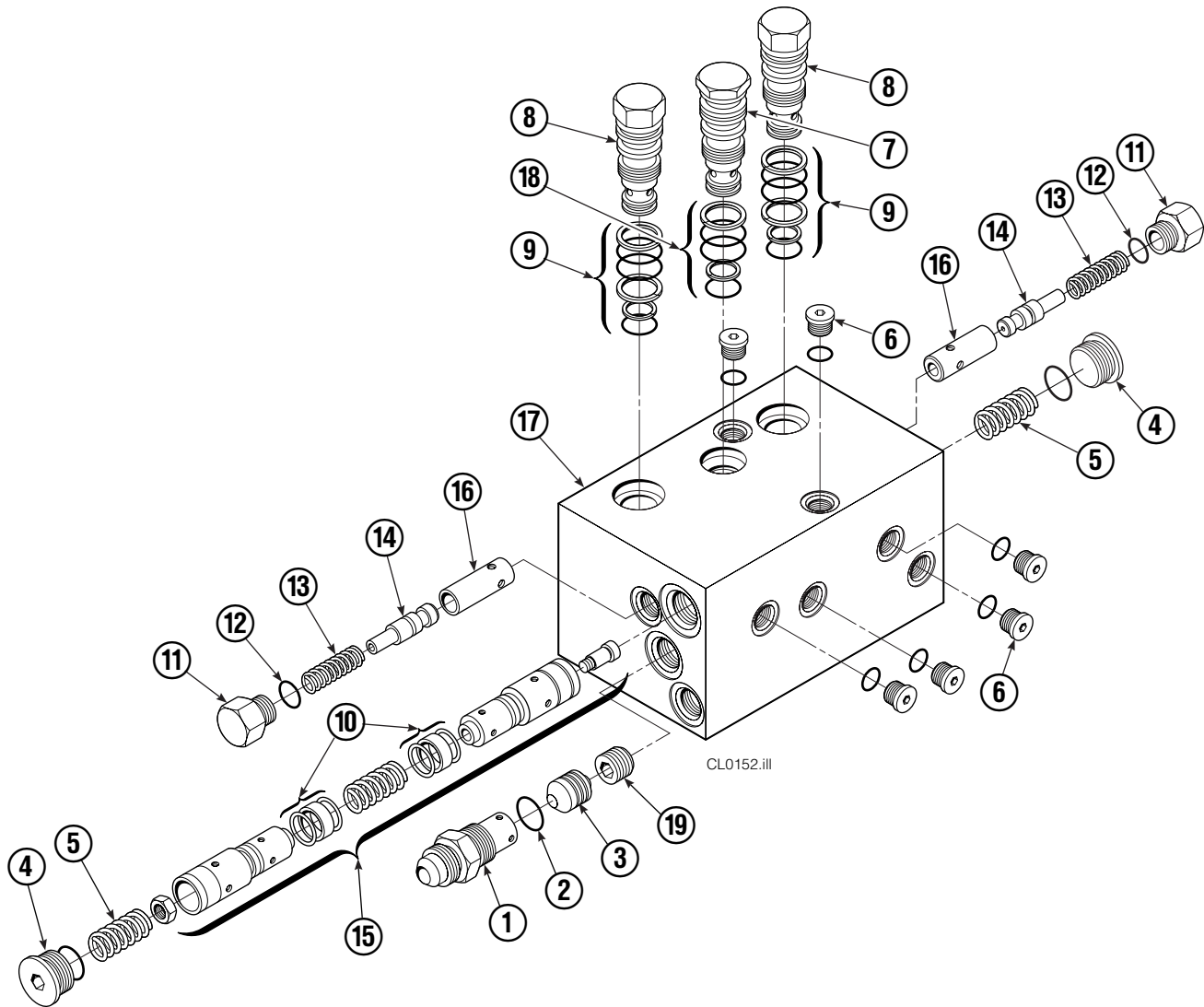
35D

REF	QTY	PART NO.	DESCRIPTION	REF	QTY	PART NO.	DESCRIPTION
1	1	671569	Tube	17	4	667907	Bearing
2	1	317641	Tube	18	4	667663	Bearing
3	1	317642	Tube	19	4	667906	Bearing
4	1	671567	Tube	20	1	671548	Mounting Plate – RH
5	9	601377	Fitting, 8-8	21	1	671547	Mounting Plate – LH
6	2	3600	Capscrew, .375 x .625	22	2	6288	Lockwasher, 3/8
7	2	4749	Capscrew, .375 x .625	23	1	669957	Plate
8	2	670219	Cylinder ▲	24	1	671545	Bumper – Lower
9	2	7861	Roll Pin – Inner	25	4	6205	Washer, 1/2
10	2	7962	Roll Pin – Outer	26	4	640013	Capscrew, 1/2 x 1.25
11	1	671549	Frame – Upper	27	2	602580	Fitting, 8
12	8	667910	Washer, 1/2	28	2	611288	Fitting, 6-8
13	8	667909	Capscrew, 1/2 x 3.00	29	■	675326	Shim Kit
14	1	327743	Bumper	30	4	665707	Nut, 1/2
15	2	665707	Nut, 1/2	31	1	674168	Frame – Lower
16	2	3659	Capscrew, 1/2 x 2.50		1	669762	Valve Assembly ●

▲ See Cylinder page for parts breakdown.
Reference: Basic Group 671540, S-2960.

■ Includes two .015" Shims and eight .020" Shims.
● See Valve Assembly page for parts breakdown.

Check Valve



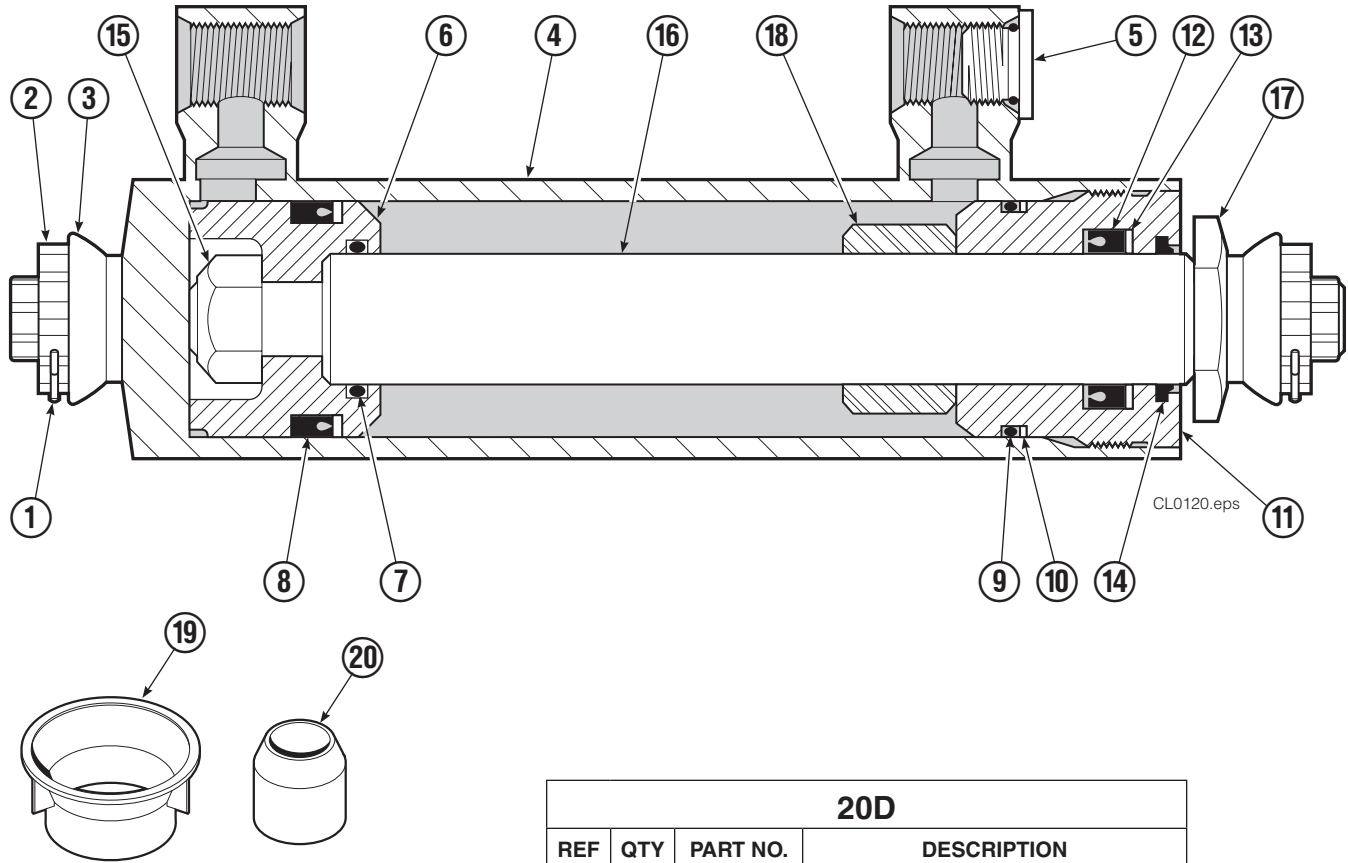
REF	QTY	PART NO.	DESCRIPTION	REF	QTY	PART NO.	DESCRIPTION
		669762	Check Valve – Flow Divider	11	2	667494	Fitting
1	1	667490	Special Fitting	12	2	2840	O-Ring ●
2	1	2841	O-Ring ●	13	2	673098	Spring
3	1	667471	Spool	14	2	667492	Poppet
4	2	609453	Fitting, 10	15	1	673089	Spool Assembly
5	2	667487	Spring	16	2	667491	Sleeve
6	6	604510	Fitting, 6	17	1	669763	Valve Body
7	1	678270	Check Valve – VPO	18	1	661347	Service Kit ●
8	2	659058	Check Valve – PO	19	1	676343	Regeneration Elimination Plug ■
9	2	667516	Service Kit ●			667513	Service Kit
10	1	679846	Low Flow Spool Kit				

● Included in Service Kit 667513.

■ For eliminating regeneration circuit only. See Tech. Bulletin 121.

Reference: SK-5302.

Cylinder Assembly



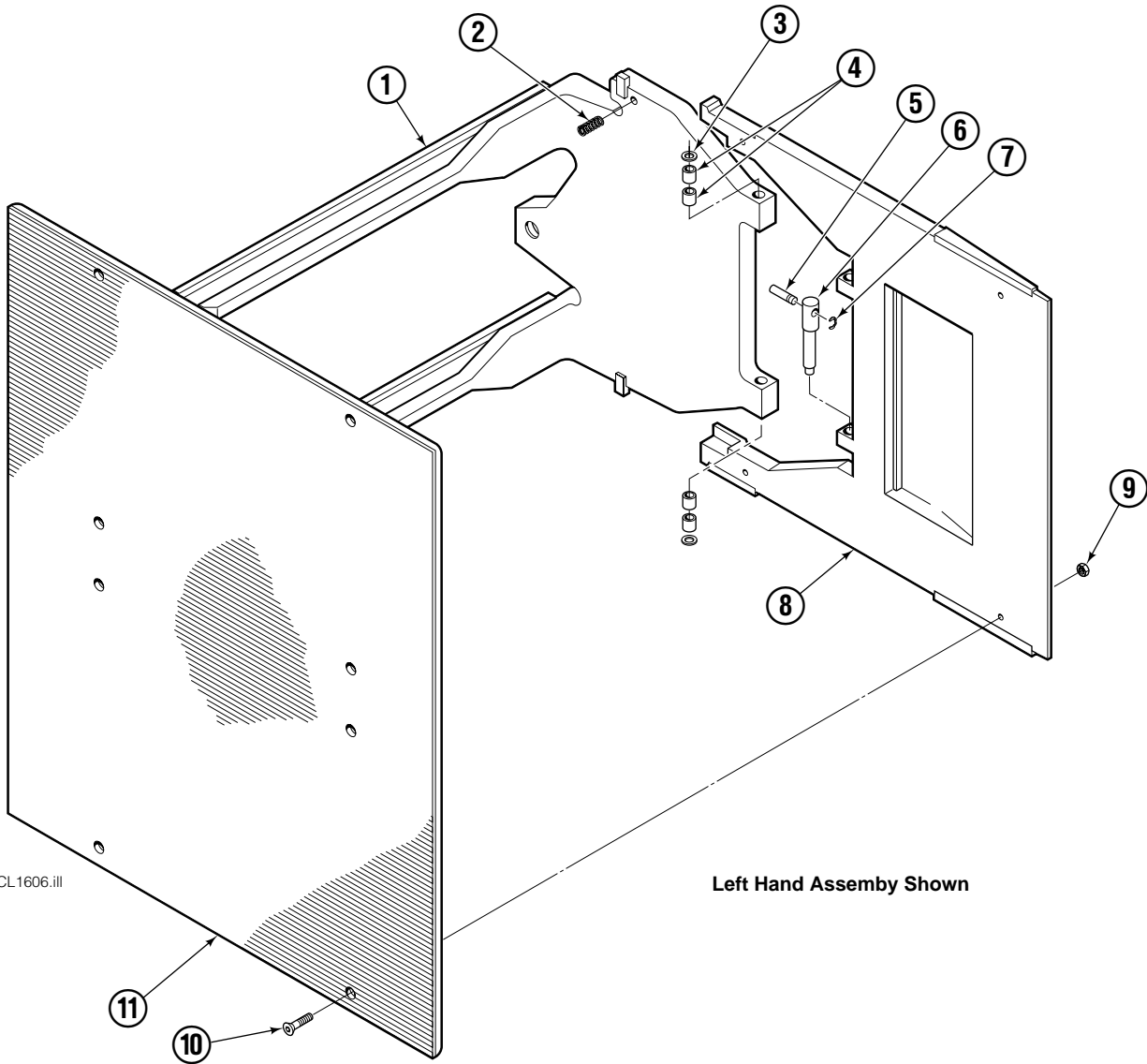
20D			
REF	QTY	PART NO.	DESCRIPTION
		670219	Cylinder Assembly
1	2	6510	■ Cotter Pin
2	2	667624	■ Nut Retainer
3	2	667625	■ Nut
4	1	553756	Shell
5	1	602580	Fitting
6	1	558200	Piston
7	1	2716	◆ O-Ring
8	1	662452	◆ Seal
9	1	2785	◆ O-Ring
10	1	615128	◆ Back-Up Ring
11	1	563906	Retainer
12	1	662448	◆ Seal
13	1	638243	◆ Nylon Ring
14	1	636853	◆ Wiper
15	1	667623	Nut
16	1	667914	Rod
17	1	667626	Washer
18	1	—	Spacer
19	1	671047	◆ Seal Loader, Piston
20	1	671051	◆ Seal Loader, Retainer
		668021	Service Kit

■ Included in Nut Service Kit 668926.

◆ Included in Service Kit 668021.

Reference: S-7605, S-7658.

Contact Pad and Arm



CL1606.ill

Left Hand Assembly Shown

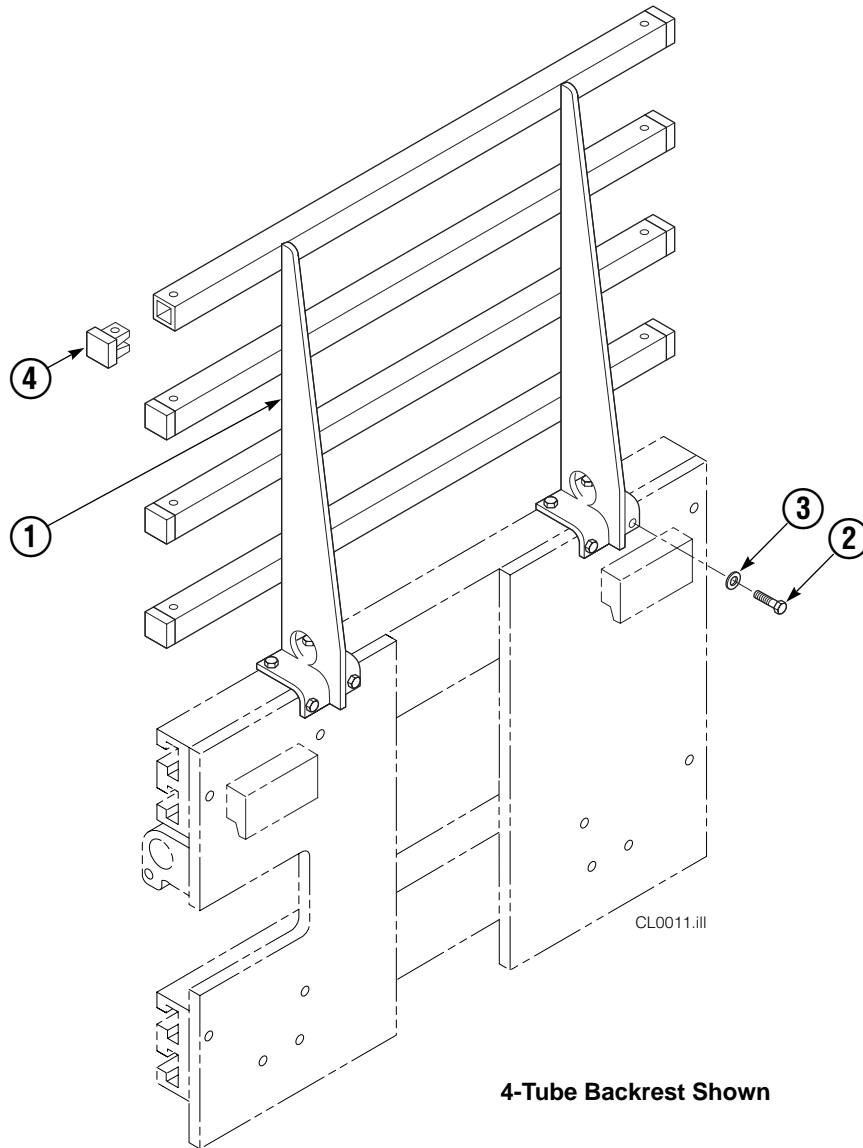
20D			
REF	QTY	PART NO.	DESCRIPTION
1	2	669908	Arm
2	2	661212	Spring
3	■	669694	Washer
4	8	639277	Bushing
5	4	669687	Pin
6	4	674378	Pin
7	4	7189	Snap Ring
8	1	674327	Stabilizer - LH
	1	674331	Stabilizer - RH
9	8	550218	Nut
10	8	4672	Capscrew, .50 NF x 1.25 GR8
11	2	327738	Contact Pad
12	▲	676841	Contact Pad Repair Kit

■ As required for proper adjustment.

▲ Repairs one hole.

Reference: Basic Group 671540, S-2909, S-3007, S-3008, S-7752.

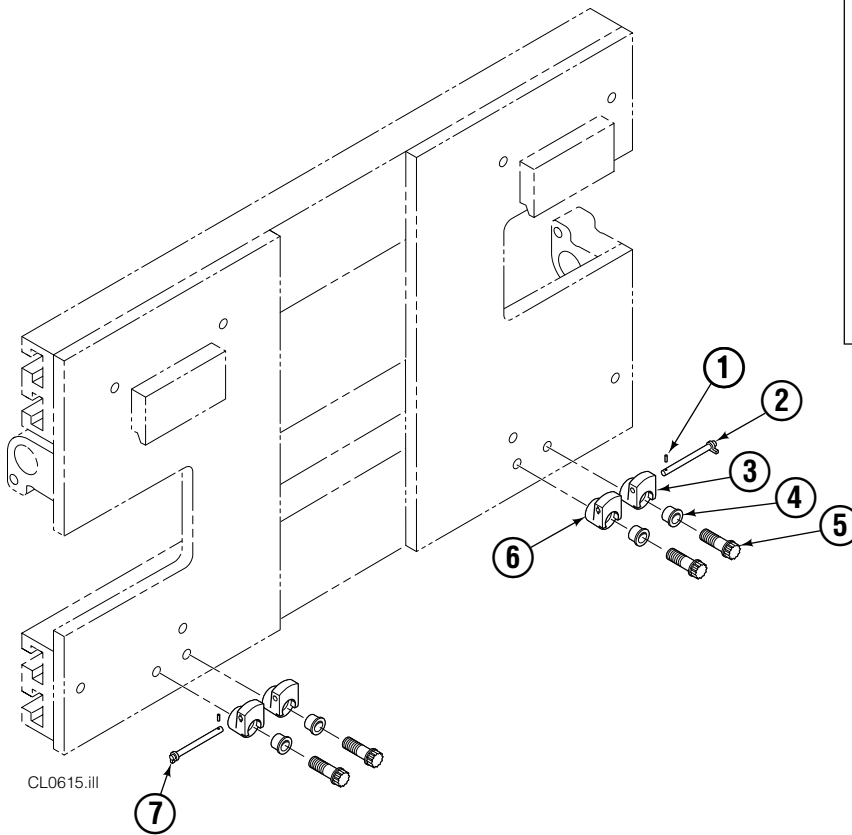
Backrest Group



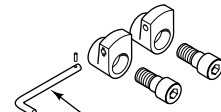
REF	QTY	PART NO.	DESCRIPTION
		669902	Backrest Group
1	1	669898	Backrest
2	8	677828	Capscrew, 1/2 NC x 1.25
3	8	667910	Washer, 1/2 in. ID
4	▲	674356	Tube End

▲ As required.

Quick Change Mounting Group



CL0615.ill



Lock Pin

Replacement parts for the Quick Disconnect Mounting Group shown here are not available except for the lock pins which are interchangeable with the new design. For service replacement of all other parts order the appropriate Lower Hook Group below.

Class II			
REF	QTY	PART NO.	DESCRIPTION
		667685	Lower Hook Group
1	2	667358	Roll Pin
2	1	672223	Lock Pin - LH
3	2	672177	Lower Hook, Outer
4	4	672178	Bushing
5	4	672059	Capscrew
6	1	672176	Lower Hook, Inner
7	1	672181	Lock Pin - RH

Do you have questions you need answered right now?

Call your nearest Cascade Parts Department.

Visit us online at www.cascorp.com

AMERICAS

**Cascade Corporation
Parts Sales**

2501 Sheridan Ave.
Springfield, OH 45505
Tel: 888-CASCADE (227-2233)
Fax: 888-329-0234

Cascade Canada Inc.

5570 Timberlea Blvd.
Mississauga, Ontario
Canada L4W-4M6
Tel: 905-629-7777
Fax: 905-629-7785

Cascade do Brasil

Praça Salvador Rosa,
131/141-Jordanópolis,
São Bernardo do Campo - SP
CEP 09891-430
Tel: 55-13-2105-8800
Fax: 55-13-2105-8899

EUROPE-AFRICA

**Cascade Italia S.R.L.
European Headquarters**

Via Dell'Artigianato 1
37030 Vago di Lavagno (VR)
Italy
Tel: 39-045-8989111
Fax: 39-045-8989160

Cascade (Africa) Pty. Ltd.

PO Box 625, Isando 1600
60A Steel Road
Sparton, Kempton Park
South Africa
Tel: 27-11-975-9240
Fax: 27-11-394-1147

ASIA-PACIFIC

Cascade Japan Ltd.

2-23, 2-Chome,
Kukuchi Nishimachi
Amagasaki, Hyogo
Japan, 661-0978
Tel: 81-6-6420-9771
Fax: 81-6-6420-9777

Cascade Korea

121B 9L Namdong Ind.
Complex, 691-8 Gojan-Dong
Namdong-Ku
Inchon, Korea
Tel: +82-32-821-2051
Fax: +82-32-821-2055

Cascade-Xiamen

No. 668 Yangguang Rd.
Xinyang Industrial Zone
Haicang, Xiamen City
Fujian Province
P.R. China 361026
Tel: 86-592-651-2500
Fax: 86-592-651-2571

**Cascade India Material
Handling P Ltd**

Sy no 271/8, Ingawale Patil
Estate,
Godown No.9,10 & 11, Bhugaon,
Off Paud Road, Tal Mulshi, Dist
Pune 411 042

Cascade Australia Pty. Ltd.

36 Kiln Street
Darra QLD 4076
Australia
Tel: 1-800-227-223
Fax: +61 7 3373-7333

Cascade New Zealand

15 Ra Ora Drive
East Tamaki, Auckland
New Zealand
Tel: +64-9-273-9136
Fax: +64-9-273-9137

**Sunstream Industries
Pte. Ltd.**

18 Tuas South Street 5
Singapore 637796
Tel: +65-6795-7555
Fax: +65-6863-1368

