



Parts Manual

Model Carton Clamp

Catalog Number 20D-CC-34Q
(678857)

cascade®
corporation

For Technical Assistance call: 800-227-2233, Fax: 888-329-8207

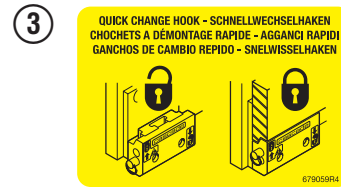
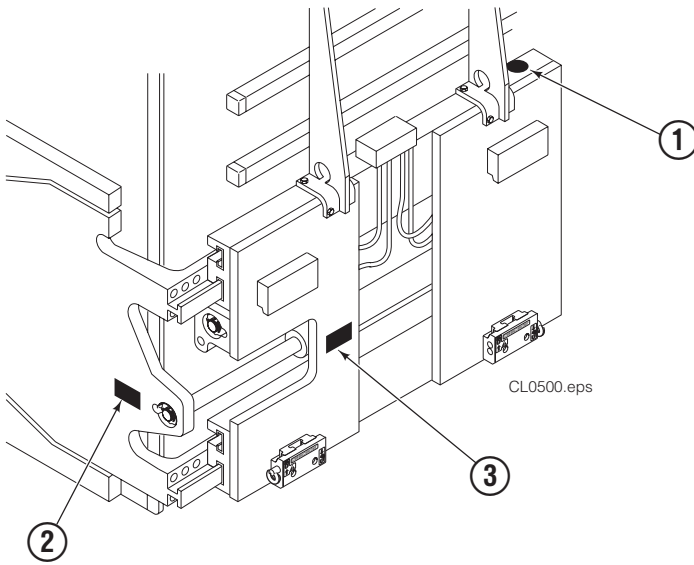
To Order Parts call: 888-227-2233, Fax: 888-329-0234

OR

Write: Cascade Corporation, P.O. Box 20187, Portland, OR 97220

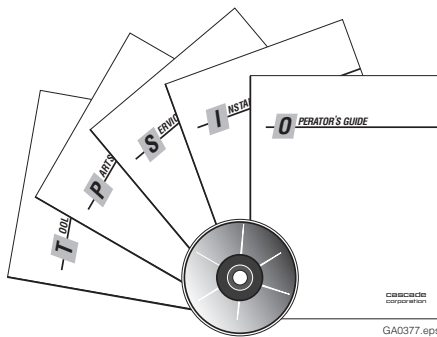
Internet: www.cascorp.com

Safety Decals



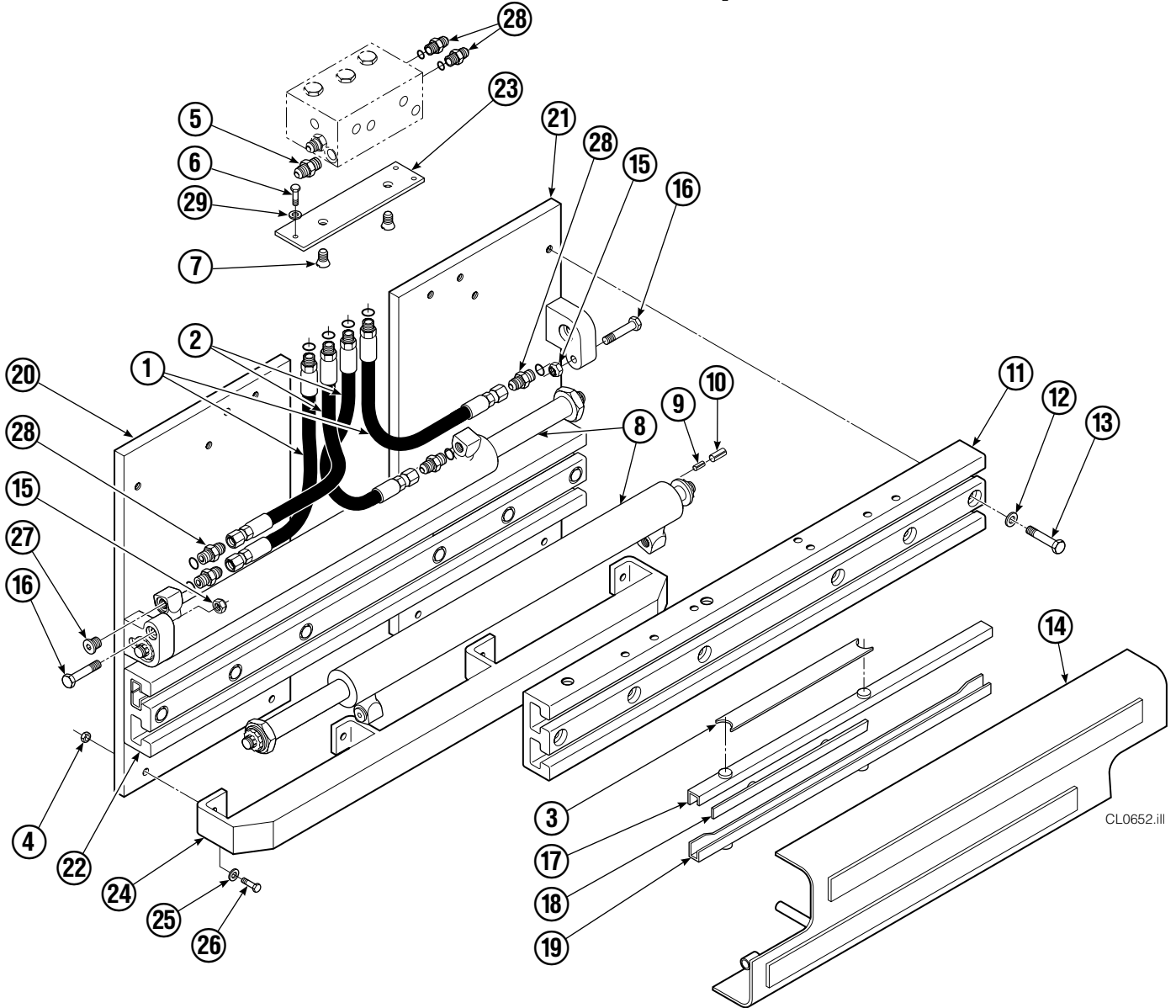
D-Carton Clamp			
REF	QTY	PART NO.	DESCRIPTION
1	1	679150	No Step Decal
2	2	665595	Pinch Point Decal
3	1	679059	Quick-Change Hook Decal

Publications



D-Carton Clamp	
228156	Service Manual (Current Models)
670487	Service Manual (Early Models, prior to 2000)
210273	Operator Guide
670488	Installation Instructions
679929	Tool Catalog

Base Unit Group



CL0652.ill

20D

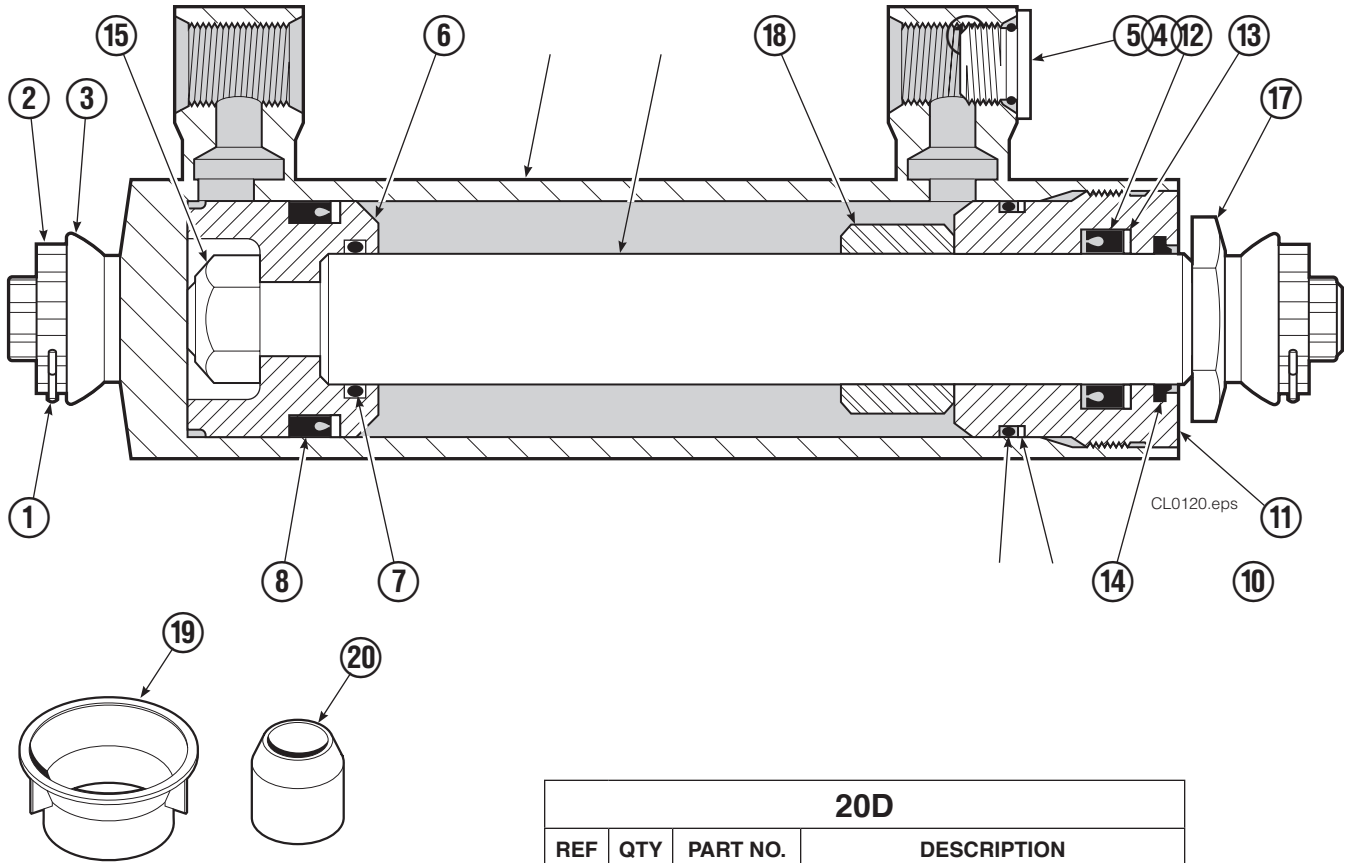
REF	QTY	PART NO.	DESCRIPTION	REF	QTY	PART NO.	DESCRIPTION
1	2	210436	Hose, 24.75 in.	16	2	633523	Capscrew, 1/2 NC x 2.50
2	2	210449	Hose, 18.25 in.	17	4	208858	Bearing
3	1	675326	Shim Kit ●	18	4	667663	Bearing
4	4	665707	Nut, 1/2 NC	19	4	208857	Bearing
5	1	601377	Fitting, 8-8	20	1	678937	Mounting Plate - RH
6	2	671222	Capscrew, 3/8 NC x .75	21	1	678936	Mounting Plate - LH
7	2	4750	Capscrew, 3/8 NC x .75	22	1	674168	Frame - Lower
8	2	671570	Cylinder ▲	23	1	669957	Plate
9	2	7861	Roll Pin - Inner	24	1	671545	Lower Bumper
10	2	7962	Roll Pin - Outer	25	4	6205	Washer, 1/2 in. ID
11	1	671549	Frame - Upper	26	4	640013	Capscrew, 1/2 NC x 1.75
12	8	667910	Washer, 1/2 ID	27	2	602580	Fitting, 8
13	8	667909	Capscrew	28	6	611288	Fitting, 6-8
14	1	672331	Bumper	29		6230	Washer
15	2	665707	Nut, 1/2 in. ID				

● Includes two .015 Shims and eight .020 Shims.

▲ See Cylinder page for parts breakdown.

Reference: Base Unit: 678852, S-3197, S-4044.

Cylinder Assembly



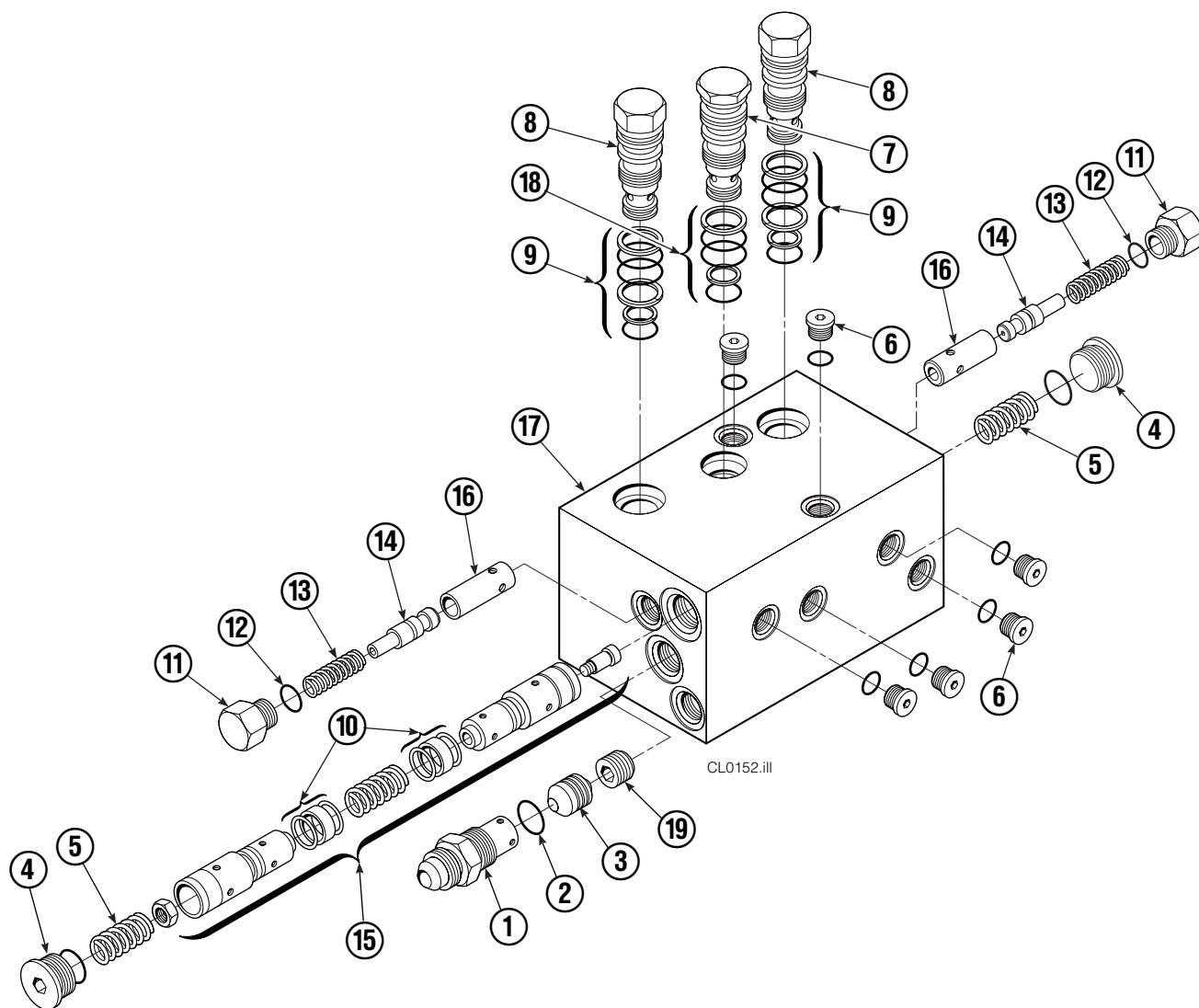
20D			
REF	QTY	PART NO.	DESCRIPTION
		671570	Cylinder Assembly
1	2	6510	■ Cotter Pin
2	2	667624	■ Nut Retainer
3	2	667625	■ Nut
4	1	671572	Shell
5	1	602580	Fitting
6	1	558200	Piston
7	1	2716	◆ O-Ring
8	1	662452	◆ Seal
9	1	2785	◆ O-Ring
10	1	615128	◆ Back-Up Ring
11	1	563906	Retainer
12	1	662448	◆ Seal
13	1	638243	◆ Nylon Ring
14	1	636853	◆ Wiper
15	1	667623	Nut
16	1	671571	Rod
17	1	667626	Washer
18	1	—	Spacer
19	1	671047	◆ Seal Loader, Piston
20	1	671051	◆ Seal Loader, Retainer
		668021	Service Kit

■ Included in Nut Service Kit 668926.

◆ Included in Service Kit 668021.

Reference: S-7605, S-7658.

Check Valve



CL0152.iii

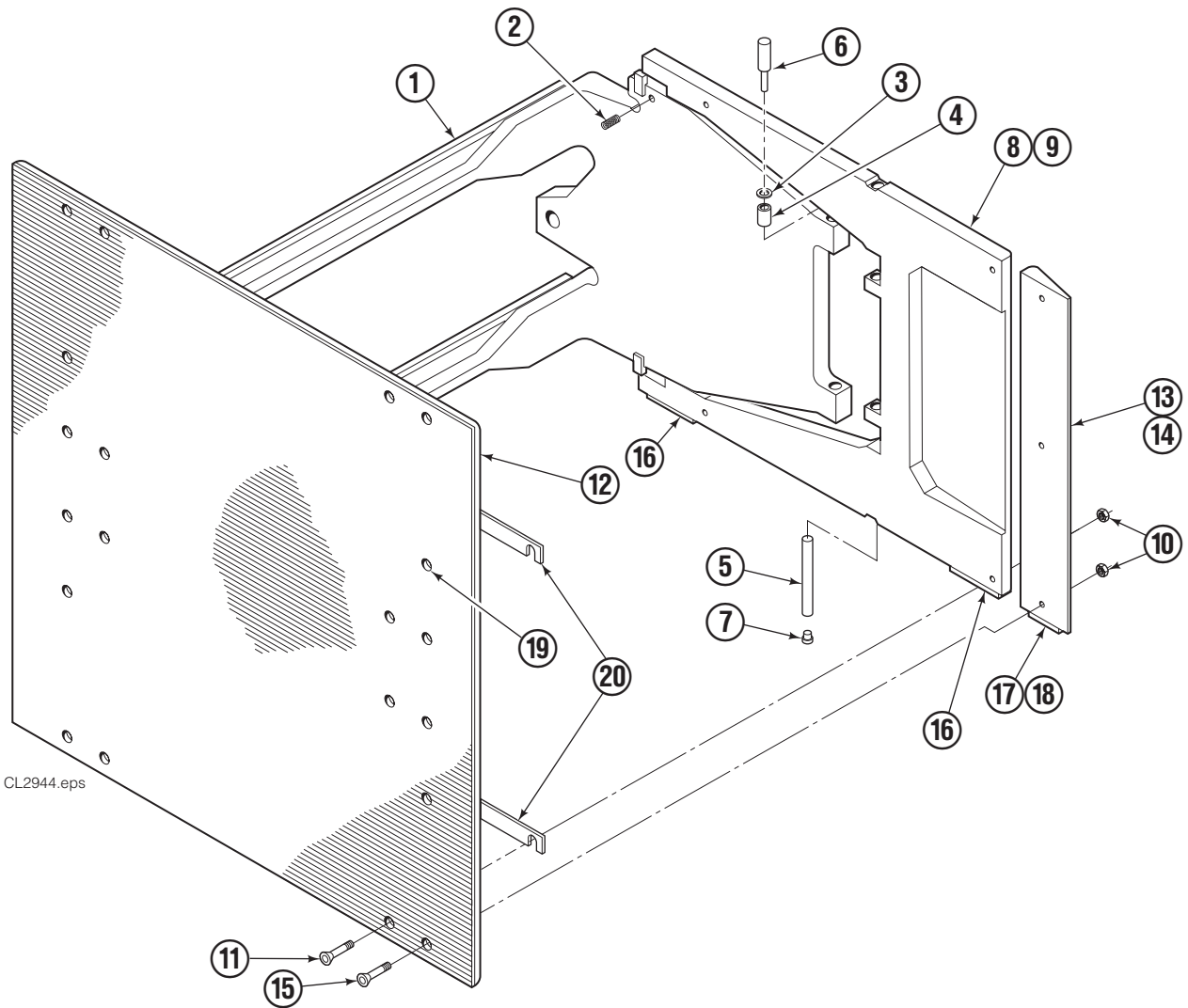
REF	QTY	PART NO.	DESCRIPTION	REF	QTY	PART NO.	DESCRIPTION
		669762	Check Valve – Flow Divider	11	2	667494	Fitting
1	1	667490	Special Fitting	12	2	2840	O-Ring ●
2	1	2841	O-Ring ●	13	2	673098	Spring
3	1	667471	Spool	14	2	667492	Poppet
4	2	609453	Fitting, 10	15	1	673089	Spool Assembly
5	2	667487	Spring	16	2	667491	Sleeve
6	6	604510	Fitting, 6	17	1	669763	Valve Body
7	1	678270	Check Valve – VPO	18	1	661347	Service Kit ●
8	2	659058	Check Valve – PO	19	1	676343	Regeneration Elimination Plug ■
9	2	667516	Service Kit ●			667513	Service Kit
10	1	679846	Low Flow Spool Kit				

● Included in Service Kit 667513.

■ For eliminating regeneration circuit only. See Tech. Bulletin 121.

Reference: SK-5302.

Contact Pad and Arm Group



CL2944.eps

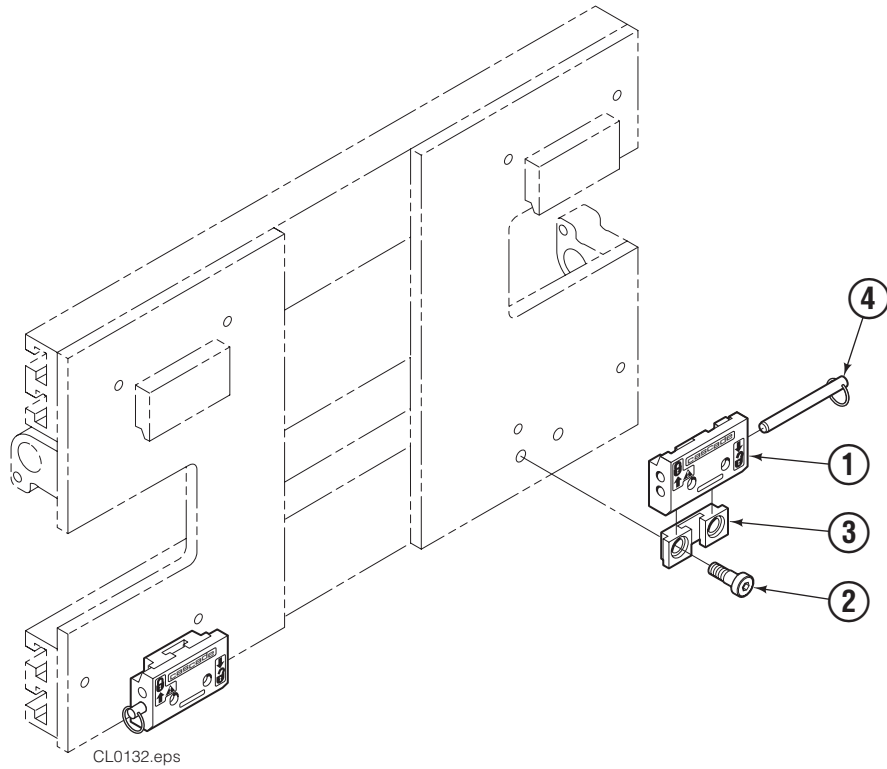
20D							
REF	QTY	PART NO.	DESCRIPTION	REF	QTY	PART NO.	DESCRIPTION
1	2	671590	Arm	11	8	4674	Capscrew, 1/2 x 1.75
2	2	661212	Spring	12	2	676871	Contact Pad, 46" x 48"
3	■	675620	Washer	13	1	675621	Tip - LH
4	8	200590	Bushing	14	1	675624	Tip - RH
5	4	677205	Pin	15	6	4672	Capscrew, 1/2 x 1.25
6	1	675626	Bushing Driver Tool	16	4	675614	Stabilizer Wear Tile
7	4	602580	Plug	17	1	678665	Tip Wear Tile - LH
8	1	676331	Stabilizer - RH	18	1	678666	Tip Wear Tile - RH
9	1	676329	Stabilizer - LH	19	●	676841	Contact Pad Repair Kit
10	14	550218	Nut	20	4	677094	Shim

■ Quantity as required for proper adjustment.

● Repairs one hole.

Reference: Basic Group 678852, S-3197, S-2909,
S-3058, S-3059, S-3091.

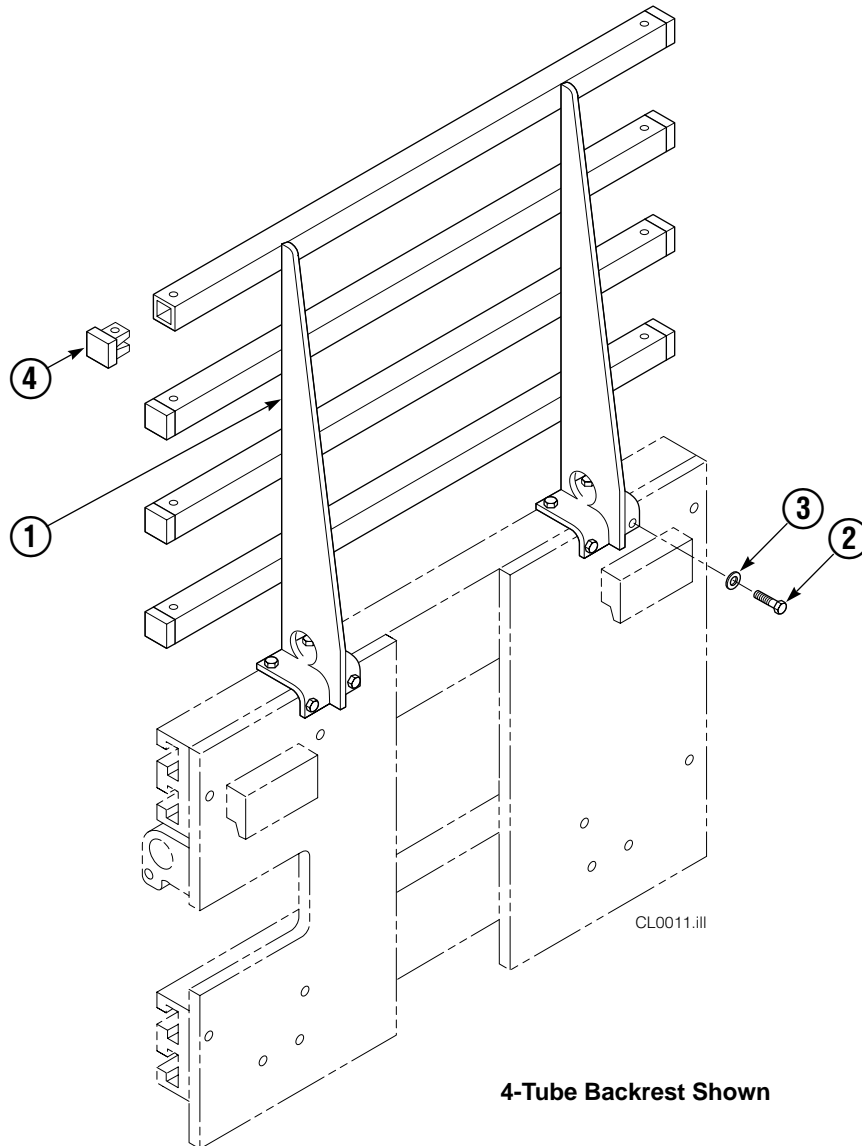
Quick-Change Mounting Group



Class II			
REF	QTY	PART NO.	DESCRIPTION
		678833	Lower Hook Group
1	2	675514	Hook
2	4	678942	Capscrew, 5/8 NC x 1.25
3	2	675515	Guide
4	2	678832	Pin

Reference: S-3197.

Backrest Group



4-Tube Backrest Shown

REF	QTY	PART NO.	DESCRIPTION
		669766	Backrest Group
1	1	669897	Backrest
2	8	677828	Capscrew, 1/2 NC x 1.25
3	8	667910	Washer, 1/2 in. ID
4	▲	674356	Tube End

▲ As required.

Do you have questions you need answered right now?

Call your nearest Cascade Parts Department.

Visit us online at www.cascorp.com

AMERICAS

**Cascade Corporation
Parts Sales**

2501 Sheridan Ave.
Springfield, OH 45505
Tel: 888-CASCADE (227-2233)
Fax: 888-329-0234

Cascade Canada Inc.

5570 Timberlea Blvd.
Mississauga, Ontario
Canada L4W-4M6
Tel: 905-629-7777
Fax: 905-629-7785

Cascade do Brasil

Praça Salvador Rosa,
131/141-Jordanópolis,
São Bernardo do Campo - SP
CEP 09891-430
Tel: 55-13-2105-8800
Fax: 55-13-2105-8899

EUROPE-AFRICA

**Cascade Italia S.R.L.
European Headquarters**

Via Dell'Artigianato 1
37030 Vago di Lavagno (VR)
Italy
Tel: 39-045-8989111
Fax: 39-045-8989160

Cascade (Africa) Pty. Ltd.

PO Box 625, Isando 1600
60A Steel Road
Sparton, Kempton Park
South Africa
Tel: 27-11-975-9240
Fax: 27-11-394-1147

ASIA-PACIFIC

Cascade Japan Ltd.

2-23, 2-Chome,
Kukuchi Nishimachi
Amagasaki, Hyogo
Japan, 661-0978
Tel: 81-6-6420-9771
Fax: 81-6-6420-9777

Cascade Korea

121B 9L Namdong Ind.
Complex, 691-8 Gojan-Dong
Namdong-Ku
Inchon, Korea
Tel: +82-32-821-2051
Fax: +82-32-821-2055

Cascade-Xiamen

No. 668 Yangguang Rd.
Xinyang Industrial Zone
Haicang, Xiamen City
Fujian Province
P.R. China 361026
Tel: 86-592-651-2500
Fax: 86-592-651-2571

**Cascade India Material
Handling P Ltd**

Sy no 271/8, Ingawale Patil
Estate,
Godown No.9,10 & 11, Bhugaon,
Off Paud Road, Tal Mulshi, Dist
Pune 411 042

Cascade Australia Pty. Ltd.

36 Kiln Street
Darra QLD 4076
Australia
Tel: 1-800-227-223
Fax: +61 7 3373-7333

Cascade New Zealand

15 Ra Ora Drive
East Tamaki, Auckland
New Zealand
Tel: +64-9-273-9136
Fax: +64-9-273-9137

**Sunstream Industries
Pte. Ltd.**

18 Tuas South Street 5
Singapore 637796
Tel: +65-6795-7555
Fax: +65-6863-1368

