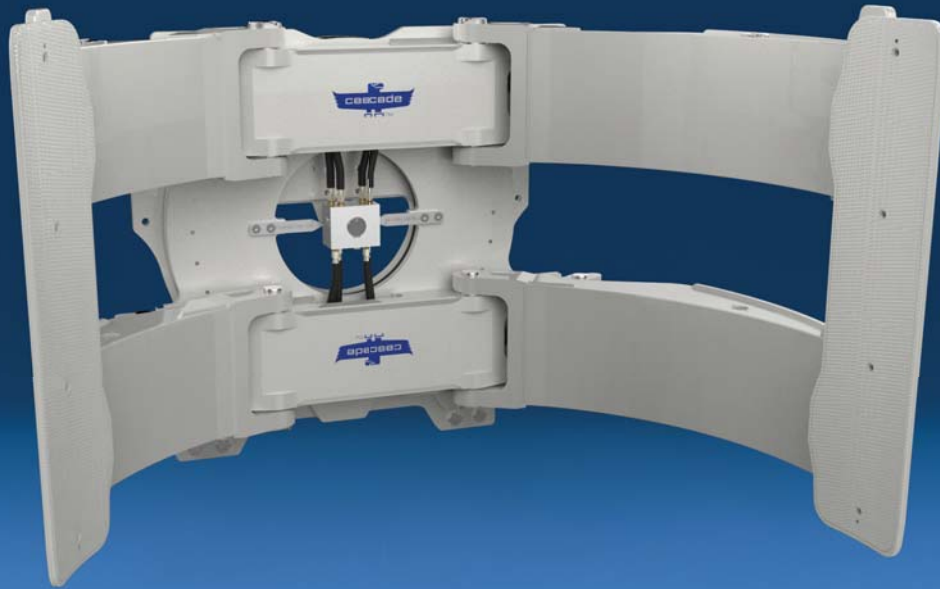


# Superior Arm and Pad Profile Designed to Eliminate Damage



Profiled arms and pads for narrow aisles and knifing between rolls



High-flow revolving connection provides equal arm movement and low energy drain



Excellent visibility facilitates precise second tier roll handling



Streamlined pad with field serviceable wear tiles extends pad life




High-torque, heavy-duty rotator drivetrain for fast and continuous rotation

## APPLICATIONS

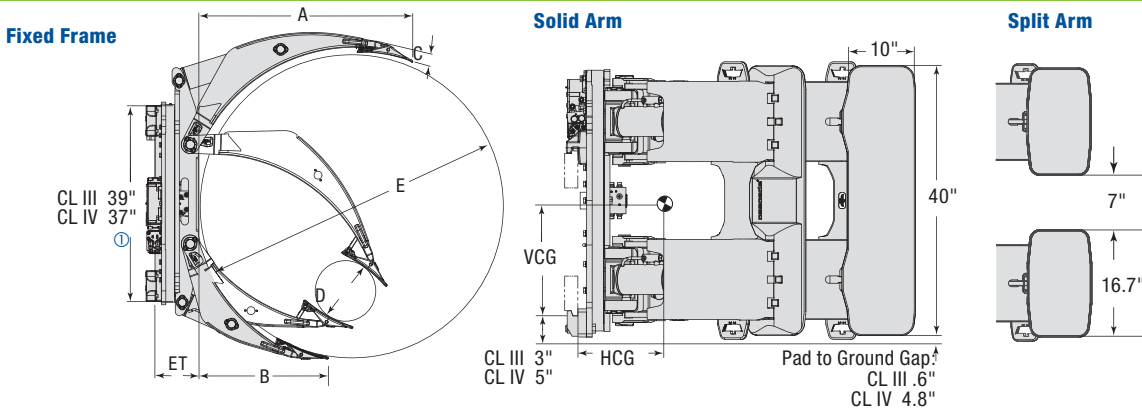
Suitable for mills, converters, stevedores and shippers of large rolls of packaging paper of all types. It is also the base clamp for the jumbo tissue roll industry.

## FEATURES

- Highly durable arm structure and pad profile that eliminates damage from knifing between rolls in containers, trailers, and railcars.
- Pad protectors reduce wear to the contact pads.
- Pad alignment system using dual spring technology holds the contact pads in proper alignment.
- A variety of arm styles for flexibility in any application.
- Short arm positioning to optimize small roll handling.
- Excellent visibility through arms.
-  High-flow revolving connection provides fast arm speed and less energy consumption.
- Quick 360° rotation speed with 15-tooth pinion.
- High-torque, heavy-duty rotator drivetrain proven to provide superior durability.
- Can be configured with 2, 3 or 4 pads.
- High-strength castings provide structural life needed for robust applications.

## OPTIONS

- Wide range of contact pads for every type of paper.
- Split or solid arm.
- Fixed short arm for applications with roll sizes on the high side of the clamp's capacity range.
- 180° Stop Group.
- AFC - Adaptive Force Control.
- HFC - Hydraulic Force Control.
- ERC - Electronic Rotational Control.



360° Rotation

Catalog Order No.	Capacity@ Load Center		Roll Range D - E	Mtg. Class	Mtg. Angle ②	Weight		Effective Thickness ET	Horizontal Ctr. of Gravity HCG	Vertical Ctr. of Gravity VCG	Long Arm Length A	Short Arm Length B	Long Arm Thickness C
	lbs@in	kg@mm				lbs	kg						
<b>Fixed Frame/Positioned Short Arm/Solid Long Arm</b>													
38H-RCP-3A-0015	8,820@25.5"	4,000@650	8"-51"	III	0°	2,211	1,003	8.4"	11.6"	17.4"	35.4"	23.0"	1.8"
38H-RCP-3A-0020	8,600@27.5"	3,900@700	8"-55"	III	0°	2,296	1,042	8.4"	12.0"	17.4"	37.5"	24.7"	1.8"
38H-RCP-3A-0025	8,380@30"	3,800@762	8"-60"	III	0°	2,370	1,075	8.4"	12.7"	17.4"	40.0"	27.0"	1.8"
38H-RCP-3A-0030	7,940@31.5"	3,600@800	8"-63"	III	0°	2,401	1,089	8.4"	13.1"	17.4"	41.6"	28.4"	1.8"
38H-RCP-3A-0035	6,950@36"	3,150@915	8"-72"	III	0°	2,532	1,148	8.4"	14.3"	17.4"	46.5"	32.5"	1.9"
38H-RCP-4A-0015	8,820@25.5"	4,000@650	8"-51"	IV	0°	2,209	1,002	8.3"	11.5"	19.6"	35.4"	23.0"	1.8"
38H-RCP-4A-0020	8,600@27.5"	3,900@700	8"-55"	IV	0°	2,294	1,041	8.3"	11.9"	19.6"	37.5"	24.7"	1.8"
38H-RCP-4A-0025	8,380@30"	3,800@762	8"-60"	IV	0°	2,368	1,074	8.3"	12.6"	19.6"	40.0"	27.0"	1.8"
38H-RCP-4A-0030	7,940@31.5"	3,600@800	8"-63"	IV	0°	2,399	1,088	8.3"	13.0"	19.6"	41.6"	28.4"	1.8"
38H-RCP-4A-0035	6,950@36"	3,150@915	8"-72"	IV	0°	2,530	1,147	8.3"	14.2"	19.6"	46.5"	32.5"	1.9"
<b>Fixed Frame/Positioned Short Arm/Split Long Arm</b>													
38H-RDP-3A-0015	8,820@25.5"	4,000@650	8"-51"	III	0°	2,194	995	8.4"	11.3"	17.4"	35.4"	23.0"	1.8"
38H-RDP-3A-0020	8,600@27.5"	3,900@700	8"-55"	III	0°	2,279	1,034	8.4"	11.7"	17.4"	37.5"	24.7"	1.8"
38H-RDP-3A-0025	8,380@30"	3,800@762	8"-60"	III	0°	2,353	1,067	8.4"	12.4"	17.4"	40.0"	27.0"	1.8"
38H-RDP-3A-0030	7,940@31.5"	3,600@800	8"-63"	III	0°	2,384	1,081	8.4"	12.8"	17.4"	41.6"	28.4"	1.8"
38H-RDP-3A-0035	6,950@36"	3,150@915	8"-72"	III	0°	2,515	1,141	8.4"	13.9"	17.5"	46.5"	32.5"	1.9"
38H-RDP-4A-0015	8,820@25.5"	4,000@650	8"-51"	IV	0°	2,192	994	8.3"	11.2"	19.6"	35.4"	23.0"	1.8"
38H-RDP-4A-0020	8,600@27.5"	3,900@700	8"-55"	IV	0°	2,277	1,033	8.3"	11.6"	19.6"	37.5"	24.7"	1.8"
38H-RDP-4A-0025	8,380@30"	3,800@762	8"-60"	IV	0°	2,351	1,066	8.3"	12.3"	19.6"	40.0"	27.0"	1.8"
38H-RDP-4A-0030	7,940@31.5"	3,600@800	8"-63"	IV	0°	2,382	1,080	8.3"	12.6"	19.6"	41.6"	28.4"	1.8"
38H-RDP-4A-0035	6,950@36"	3,150@915	8"-72"	IV	0°	2,513	1,140	8.3"	13.8"	19.6"	46.5"	32.5"	1.9"

- ① Dimension is the widest spread of either upper or lower hook.
- ② 2° mounting available, consult Cascade.
- ▶ All models can be configured with a fixed short arm. Consult Cascade for model number and specifications.
- ▶ 0° mounting is suitable for general applications with primarily vertical roll handling. 0° mounting must be used when stacking above 220".
- ▶ Rubber or Urethane coatings increase the pad thickness. For frequent bilge operations, a 2° mounting is recommended.
- ▶ Model shown is with Herringbone contact pads. Other pad options are available, consult Cascade.
- ▶ Auxiliary pressure protection is required for the rotator section unless the option is specified at the time of the order. Contact your Cascade representative for details.

HYDRAULIC FLOW & PRESSURE

Model	Maximum Clamp & Rotate Operating Pressure (psi)	Maximum Deliverable Truck Pressure (psi)	Clamp Circuit Pressure Protected Yes/No?	Rotator Circuit Pressure Protected Yes/No?	Number of Functions	Flow Clamp Min-Rec-Max Function 1 / gpm	ROTATOR SPECIFICATIONS			
							Model	RPM	Recommended Flow GPM	Torque in-lbs@2300 psi
38H	2300	2300	No	No	2	10 - 15 - 20	38H	4.8	15	106,000

▶ If the maximum deliverable truck pressure exceeds maximum clamp or rotate operating pressure and the attachment is not pressure protected, then auxiliary pressure protection is required.