



# Parts Manual

---

Model \_\_\_\_\_ **Fork Positioner**

Catalog Number \_\_\_\_\_ **100K-FPS-237**

---

**cascade**®  
**corporation**

**For Technical Assistance call:** 800-227-2233, Fax: 888-329-8207

**To Order Parts call:** 888-227-2233, Fax: 888-329-0234

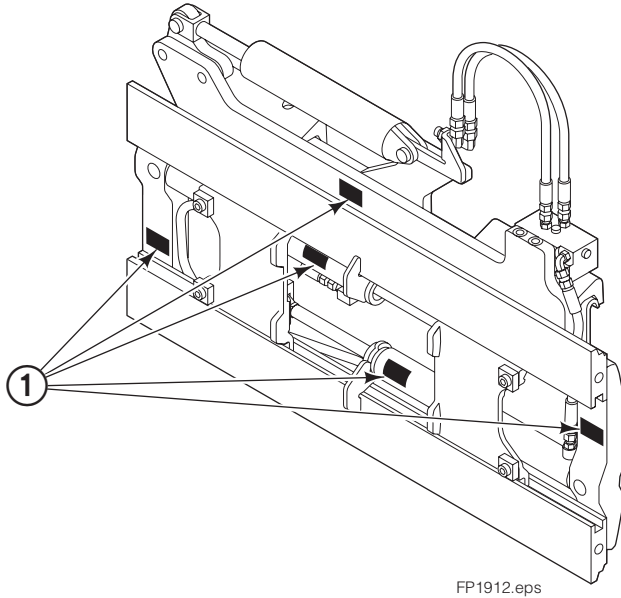
**OR**

**Write:** Cascade Corporation, P.O. Box 20187, Portland, OR 97220

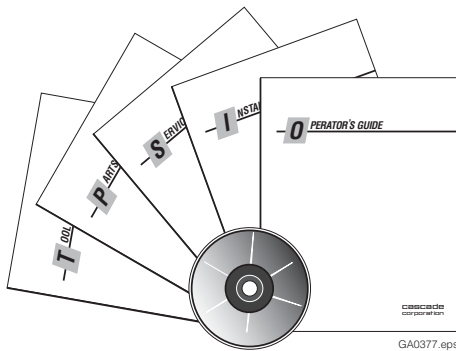
**Internet:** [www.cascorp.com](http://www.cascorp.com)

Blank

# Safety Decals



REF	QTY	PART NO.	DESCRIPTION
1	5	665595	Pinch Point Decal

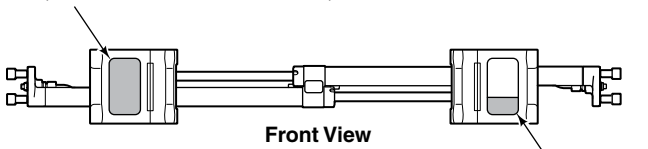


## Publications

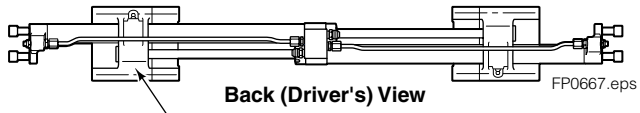
PART NO.	DESCRIPTION
208743	Service Manual
688261	Operator Guide
207363	Installation Instruction
679929	Tool Catalog

# Fork Positioner Assembly

Sticker showing operating pressure, phone numbers for service & parts.

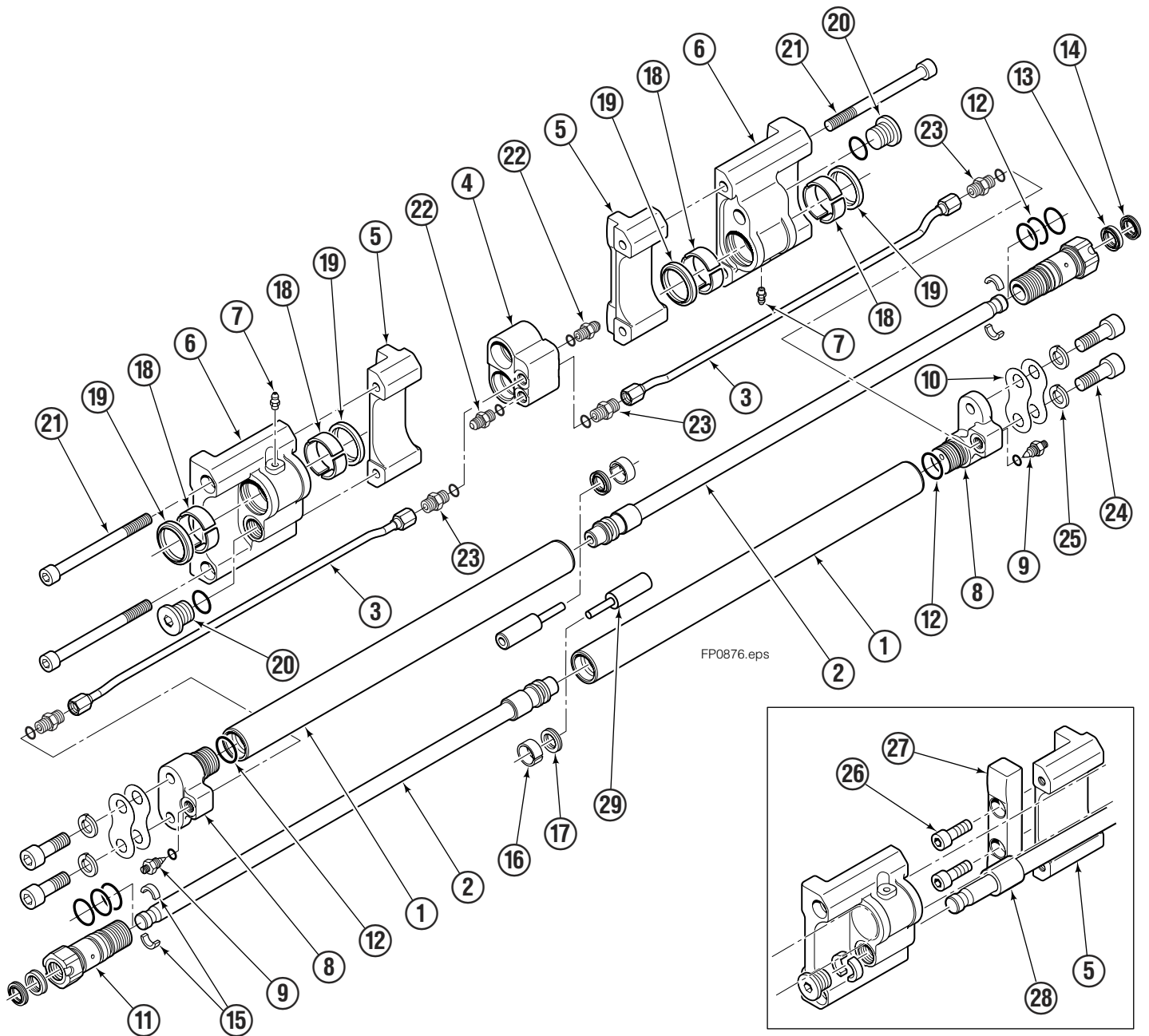


Patent Sticker



FP0667.eps

Assembly part number (on LH fork carrier).



# Fork Positioner Assembly

## Items that vary by width

100K			
ASSEMBLY PART NO.	REF. NO. 1 ★ CYLINDER SHELL QTY 2	REF. NO. 2 ★ CYLINDER ROD QTY 2	REF. NO. 3 TUBE QTY 2
8100879	8100880	8100882	8100883

REF	QTY	PART NO.	DESCRIPTION
		6069312	Common Parts Group
4	1	6059224	Manifold
5	2	6059395	◆ Fork Carrier, Inner, 122/150/180 mm Fork
6	2	6059301	Fork Carrier, Outer
7	2	424115	Grease Fitting
8	2	6059267	Cylinder Head End
9	2	6042658	Restrictor Fitting
10	4	6059383	Shim
11	2	6059219	Cylinder Retainer
12	8	6059580	O-Ring, Retainer OD ✖
13	2	562132	Rod Seal, Retainer ✖
14	2	562131	Rod Wiper, Retainer ✖
15	4	6059382	Half-Ring Keeper
16	2	6059421	Piston Wear Ring ✖
17	2	6059422	Piston Seal ✖
18	4	6059419	Bearing, Composite
19	4	6059584	Wiper
20	2	6059459	Rod Retainer Plug
21	4	6405531	Capscrew, M12 x 160
22	2	6043332	Fitting, M10 to No.4 JIC ●
23	4	6042689	Fitting, M10 to EO-2 Tube
24	4	769577	Capscrew, M16 x 50 ■
25	4	678992	Lockwasher, M16 ■
26	4	767615	◆ Capscrew, M10 x 25
27	2	6059397	◆ Spacer Bar
28	2	6069312	Rod Spacer
29	2	6079526	Piston Spacer

★ If cylinder shell or rod needs replacing due to bending damage, order complete Fork Positioner Assembly.

◆ Included in Fork Carrier Assembly 6059395.

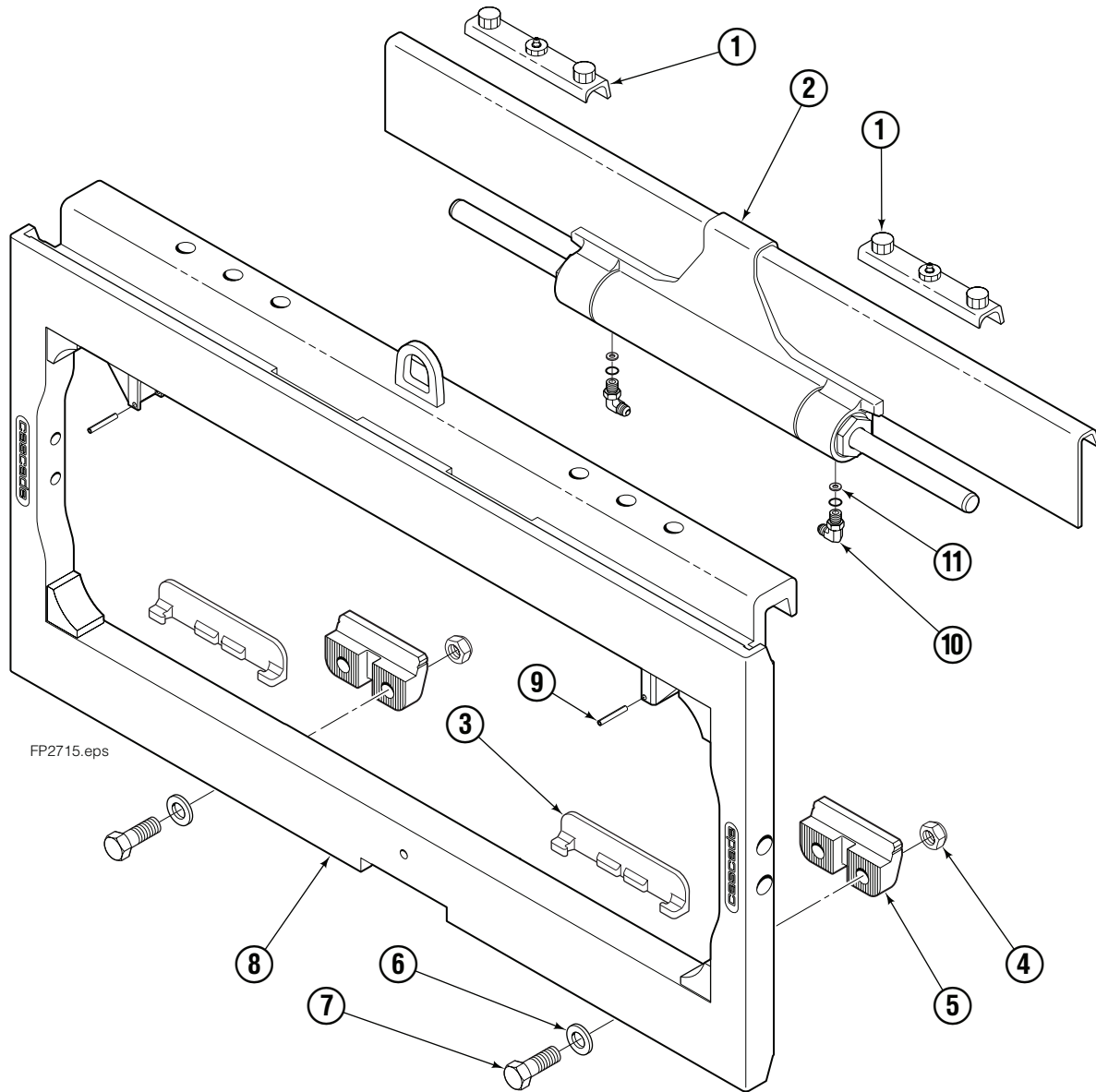
✖ Included in Cylinder Service Kit 6081752.

● Included in Fitting Group 6045440.

■ Included in Mounting Kit 6059460.

Reference: SK-8919.

# Sideshift Assembly



FP2715.eps

100F							
REF	QTY	PART NO.	DESCRIPTION	REF	QTY	PART NO.	DESCRIPTION
1	2	6051249	Upper Bearing	7	4	752903	◆ Capscrew, M16 x 45
2	1	8100333	Cylinder ▲	8	1	8100929	Frame
3	2	6057162	Lower Bearing	9	2	7918	Roll Pin
4	4	678990	◆ Nut, M16	10	2	601676	■ Fitting, 6-6
5	2	204186	◆ Lower Hook	11	2	221733	▼ Restrictor Washer
6	4	667225	◆ Washer, .625				

▲ See Cylinder page for parts breakdown.

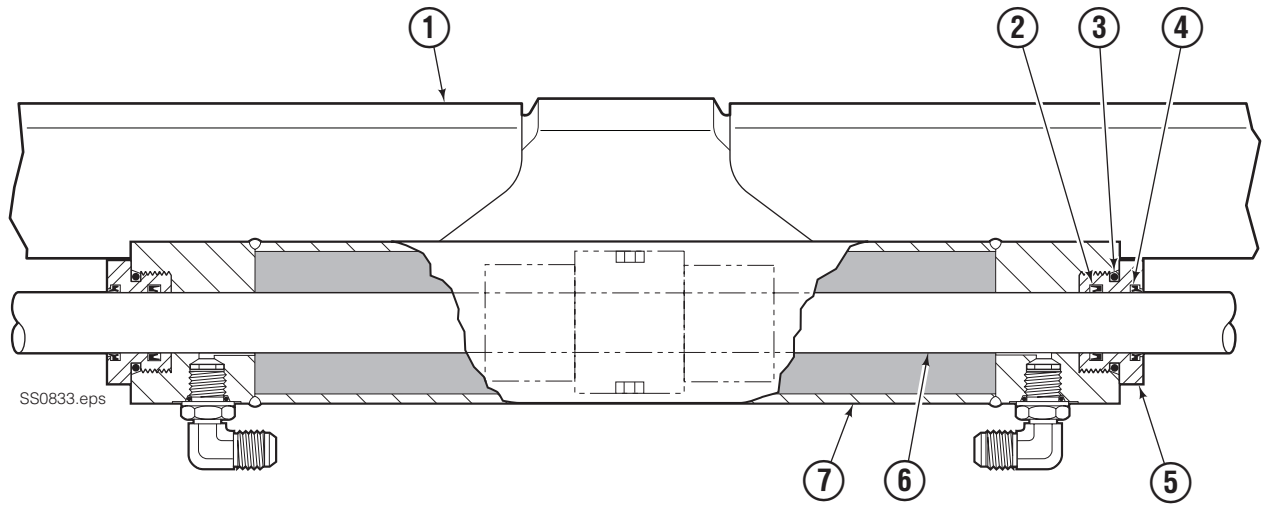
◆ Included in Lower Hook Group 204182.

Reference: Common Parts 6058034, S-22966 – Type 2.

■ Included in Fitting Group 204179.

▼ Included in Restrictor Group 221732.

# Cylinder Assembly

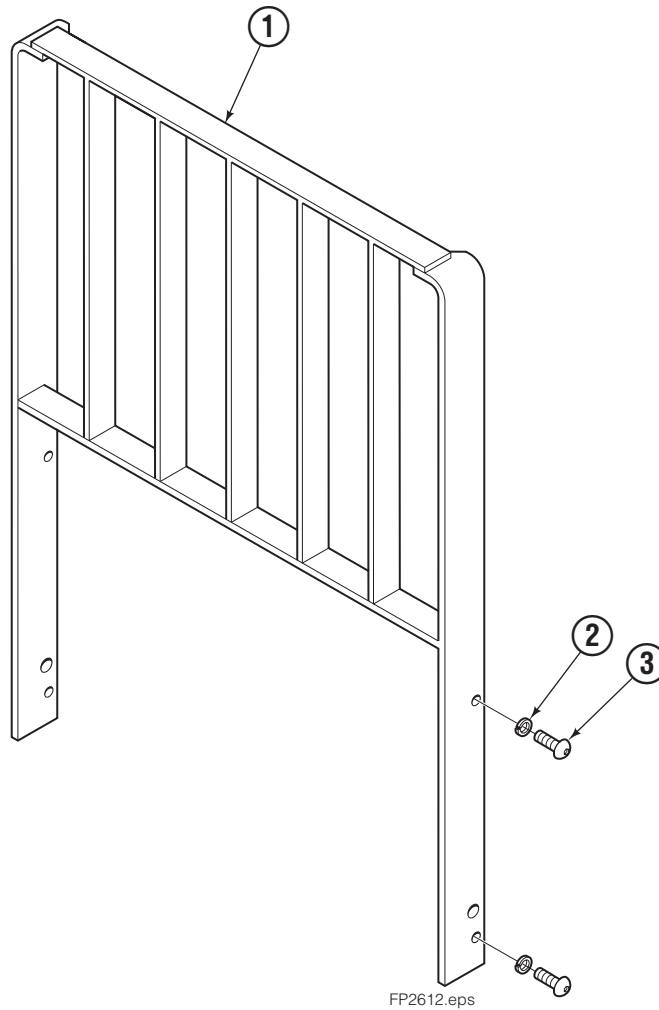


REF	QTY	PART NO.	DESCRIPTION
1	1	8100333	Cylinder Assembly
2	2	564406	● Rod Seal
3	2	609241	O-Ring
4	2	564408	● Rod Wiper Seal
5	2	6056530	Retainer
6	-	■	Rod/Piston Assembly
7	-	■	Cylinder Shell
		6091229	Rod Seal Service Kit

● Included in Service Kit 6091229.

■ Not serviceable – order new Cylinder Assembly.

Reference: S-22654.



100F			
REF	QTY	PART NO.	DESCRIPTION
1	1	6549634	Backrest - 53 x 48 ■
2	4	684586	Lockwasher, M16
3	4	200173	Capscrew, M16 x 35

■ Width x Height.

Reference: Common Parts 684740, S-21315.





**Do you have questions you need answered right now?**

Call your nearest Cascade Parts Department.

Visit us online at [www.cascorp.com](http://www.cascorp.com)

**AMERICAS**

**Cascade Corporation  
Parts Sales**

2501 Sheridan Ave.  
Springfield, OH 45505  
Tel: 888-CASCADE (227-2233)  
Fax: 888-329-0234

**Cascade Canada Inc.**

5570 Timberlea Blvd.  
Mississauga, Ontario  
Canada L4W-4M6  
Tel: 905-629-7777  
Fax: 905-629-7785

**Cascade do Brasil**

Praça Salvador Rosa,  
131/141-Jordanópolis,  
São Bernardo do Campo - SP  
CEP 09891-430  
Tel: 55-13-2105-8800  
Fax: 55-13-2105-8899

**EUROPE-AFRICA**

**Cascade Italia S.R.L.  
European Headquarters**

Via Dell'Artigianato 1  
37030 Vago di Lavagno (VR)  
Italy  
Tel: 39-045-8989111  
Fax: 39-045-8989160

**Cascade (Africa) Pty. Ltd.**

PO Box 625, Isando 1600  
60A Steel Road  
Sparton, Kempton Park  
South Africa  
Tel: 27-11-975-9240  
Fax: 27-11-394-1147

**ASIA-PACIFIC**

**Cascade Japan Ltd.**

2-23, 2-Chome,  
Kukuchi Nishimachi  
Amagasaki, Hyogo  
Japan, 661-0978  
Tel: 81-6-6420-9771  
Fax: 81-6-6420-9777

**Cascade Korea**

121B 9L Namdong Ind.  
Complex, 691-8 Gojan-Dong  
Namdong-Ku  
Inchon, Korea  
Tel: +82-32-821-2051  
Fax: +82-32-821-2055

**Cascade-Xiamen**

No. 668 Yangguang Rd.  
Xinyang Industrial Zone  
Haicang, Xiamen City  
Fujian Province  
P.R. China 361026  
Tel: 86-592-651-2500  
Fax: 86-592-651-2571

**Cascade India Material  
Handling P Ltd**

Sy no 271/8, Ingawale Patil  
Estate,  
Godown No.9,10 & 11, Bhugaon,  
Off Paud Road, Tal Mulshi, Dist  
Pune 411 042

**Cascade Australia Pty. Ltd.**

36 Kiln Street  
Darra QLD 4076  
Australia  
Tel: 1-800-227-223  
Fax: +61 7 3373-7333

**Cascade New Zealand**

15 Ra Ora Drive  
East Tamaki, Auckland  
New Zealand  
Tel: +64-9-273-9136  
Fax: +64-9-273-9137

**Sunstream Industries  
Pte. Ltd.**

18 Tuas South Street 5  
Singapore 637796  
Tel: +65-6795-7555  
Fax: +65-6863-1368

