



# Parts Manual

---

Model \_\_\_\_\_ Fork Positioner \_\_\_\_\_

Catalog Number \_\_\_\_\_ 100F-FPS-761 \_\_\_\_\_

---

**cascade**®  
**corporation**

**For Technical Assistance call:** 800-227-2233, Fax: 888-329-8207

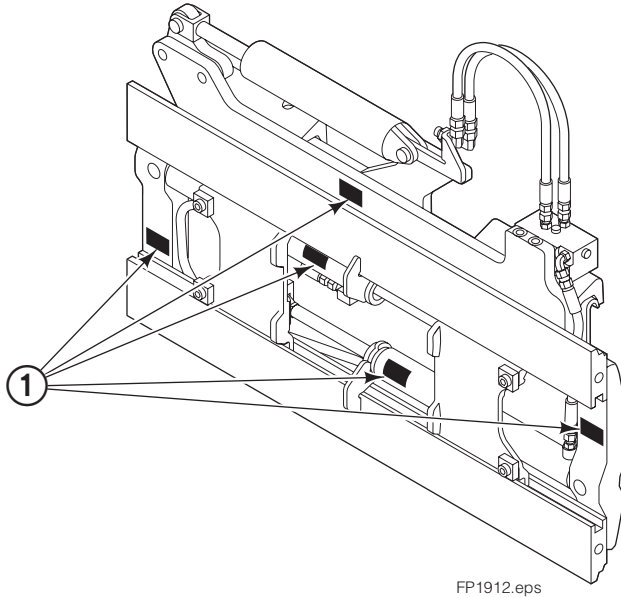
**To Order Parts call:** 888-227-2233, Fax: 888-329-0234

**OR**

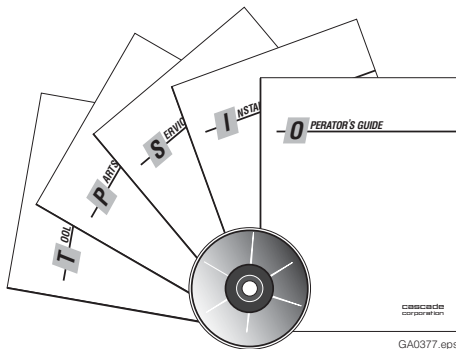
**Write:** Cascade Corporation, P.O. Box 20187, Portland, OR 97220

**Internet:** [www.cascorp.com](http://www.cascorp.com)

# Safety Decals



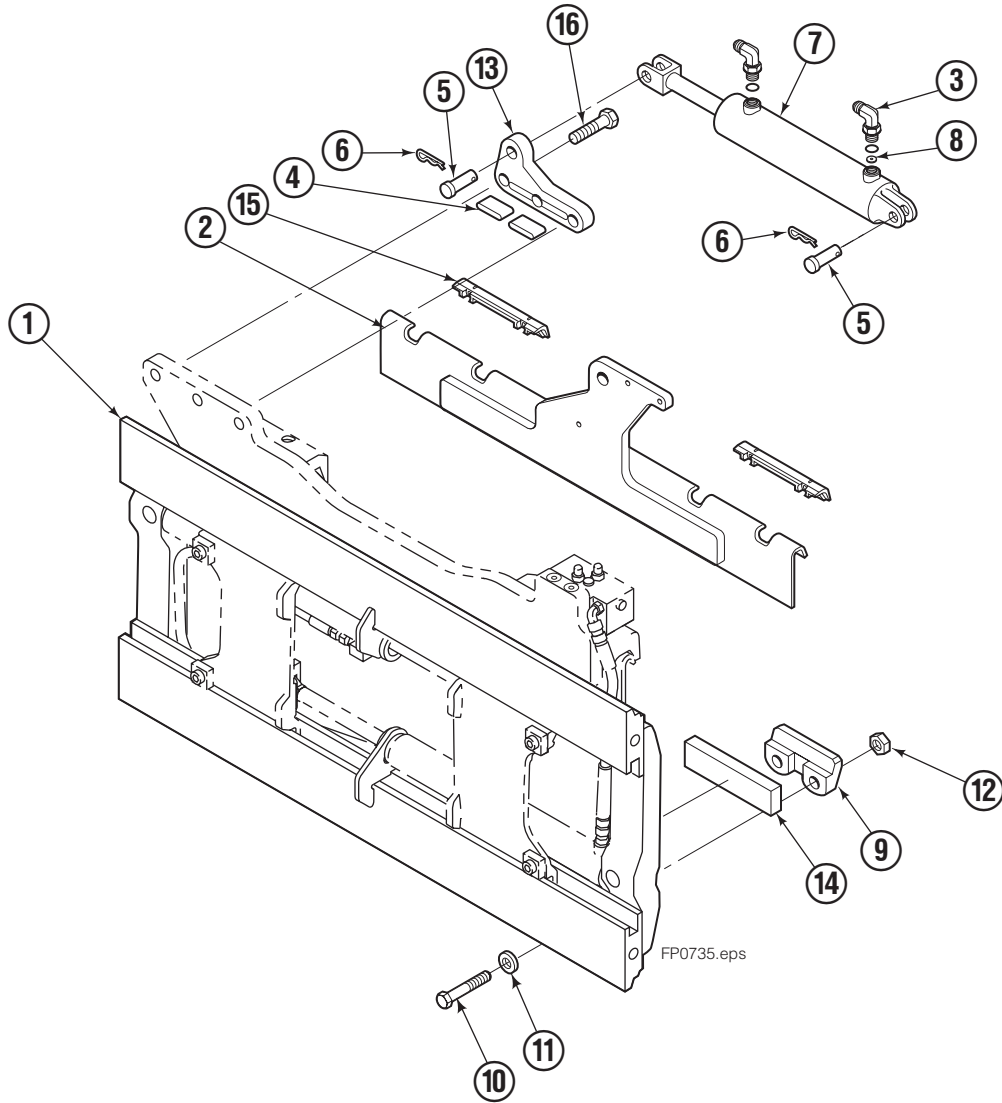
REF	QTY	PART NO.	DESCRIPTION
1	5	665595	Pinch Point Decal



## Publications

PART NO.	DESCRIPTION
208743	Service Manual
688261	Operator Guide
207363	Installation Instruction
679929	Tool Catalog

# Mounting Group Sideshifting



100F							
REF	QTY	PART NO.	DESCRIPTION	REF	QTY	PART NO.	DESCRIPTION
	●	6123049	Mounting Group	9	2	228166	Lower Hook
1	1	209386	Frame – 61 in. ■	10	4	752903	Capscrew, M16 x 45
2	1	209395	Anchor Bracket	11	4	667225	Washer
3	2	601676	Fitting, 6-6	12	4	678990	Nut, M16
4	2	209542	Key	13	1	209309	Lug
5	2	678528	Clevis Pin	14	2	208350	Lower Bearing
6	2	672726	Cotter Pin	15	2	804065	Upper Bearing, Bronze
7	1	381839	Cylinder ▲	16	3	752907	Capscrew, M20 x 50
8	1	675550	Washer (orifice .085)				

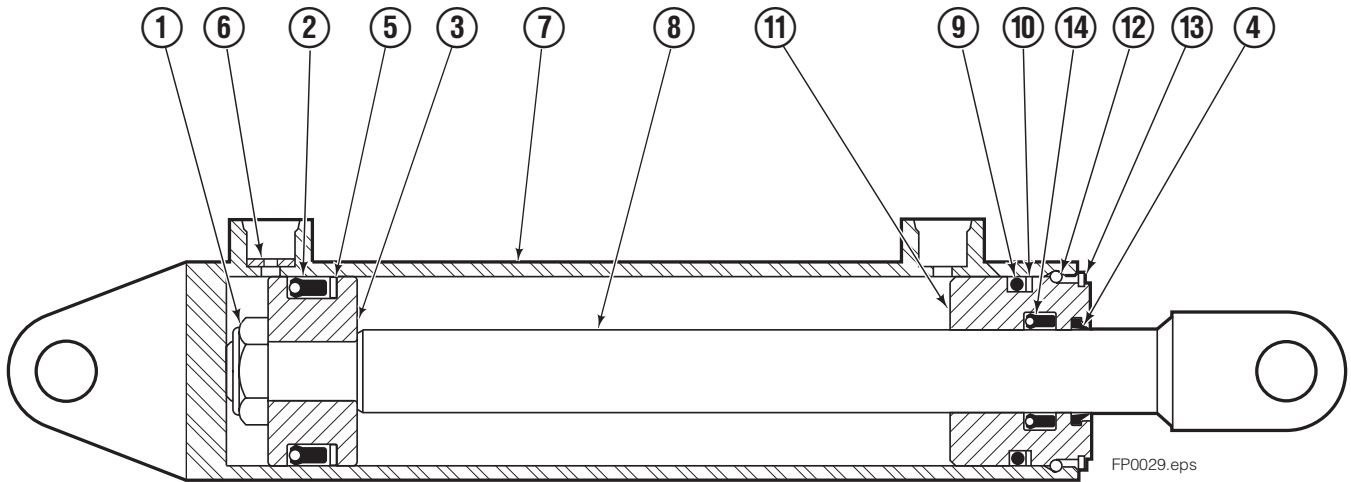
■ Carriage width.

▲ See Cylinder page for parts breakdown.

● Includes items 2–16.

Reference: S-4089, S-4096, SK-6042.

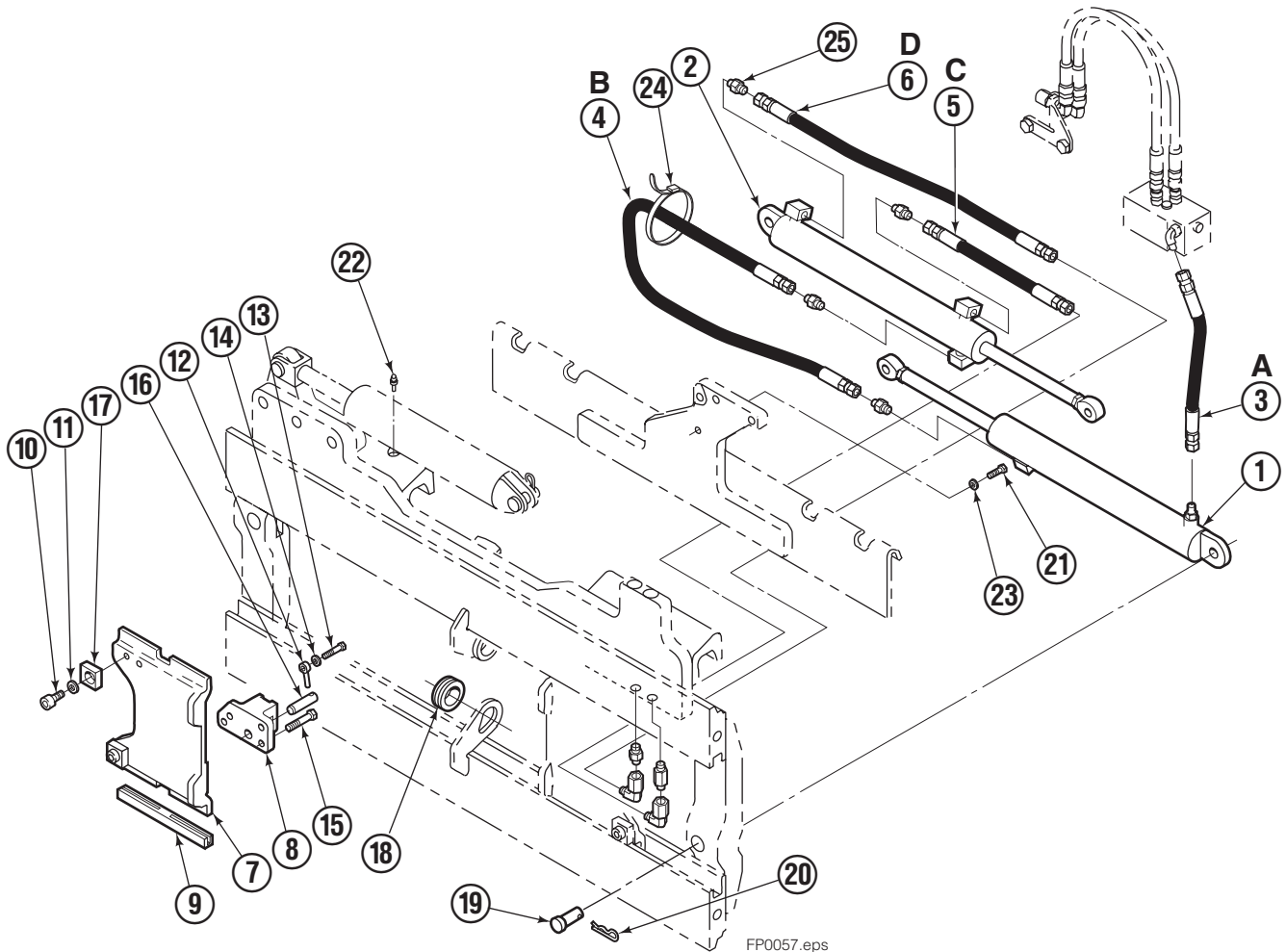
# Sideshift Cylinder Assembly



100F			
REF	QTY	PART NO.	DESCRIPTION
		381839	Cylinder Assembly
1	1	678019	Nut
2	1	662456	◆ Seal
3	1	553527	Piston
4	1	636852	◆ Wiper
5	1	649817	◆ Nylon Ring
6	1	—	Washer
7	1	6119823	Shell
8	1	6119827	Rod
9	1	2789	◆ O-Ring
10	1	615132	◆ Back-Up Ring
11	1	553528	Retainer
12	1	553688	Retaining Ring
13	1	7211	Snap Ring
14	1	662447	◆ Seal
		553866	Service Kit

◆ Included in Service Kit 553866.

# Hydraulic/Fork Group



100F							
REF	QTY	PART NO.	DESCRIPTION	REF	QTY	PART NO.	DESCRIPTION
	●	209466	Hydraulic Group	13	2	763169	Capscrew, M6 x 20
	□	209502	Fork Group-R2	14	2	680217	Lockwasher, M6
1	1	209488	Cylinder Assembly - LH ◆	15	8	684594	Capscrew, M10 x 20
2	1	209495	Cylinder Assembly - RH ◆	16	2	209308	Pin
3	1	209516	Hose, 24.00"	17	4	209306	Block
4	1	209523	Hose, 57.28"	18	2	209305	Grommer
5	1	209528	Hose, 15.67"	19	2	661675	Clevis Pin
6	1	209531	Hose, 37.32"	20	2	672726	Hairpin Cotter
7	2	209391	Fork Carrier	21	1	200788	Capscrew, M10 x 35
8	2	209280	Lug	22	2	7403	Grease Fitting
9	4	209303	Bearing	23	1	681238	Lockwasher, M10
10	4	768838	Capscrew, M16 x 30	24	1	200008	Cable Tie
11	4	678992	Lockwasher, M16	25	5	604511	Fitting, 6-6 ■
12	2	206923	Eyebolt				

◆ See Cylinder page(s) for parts breakdown.

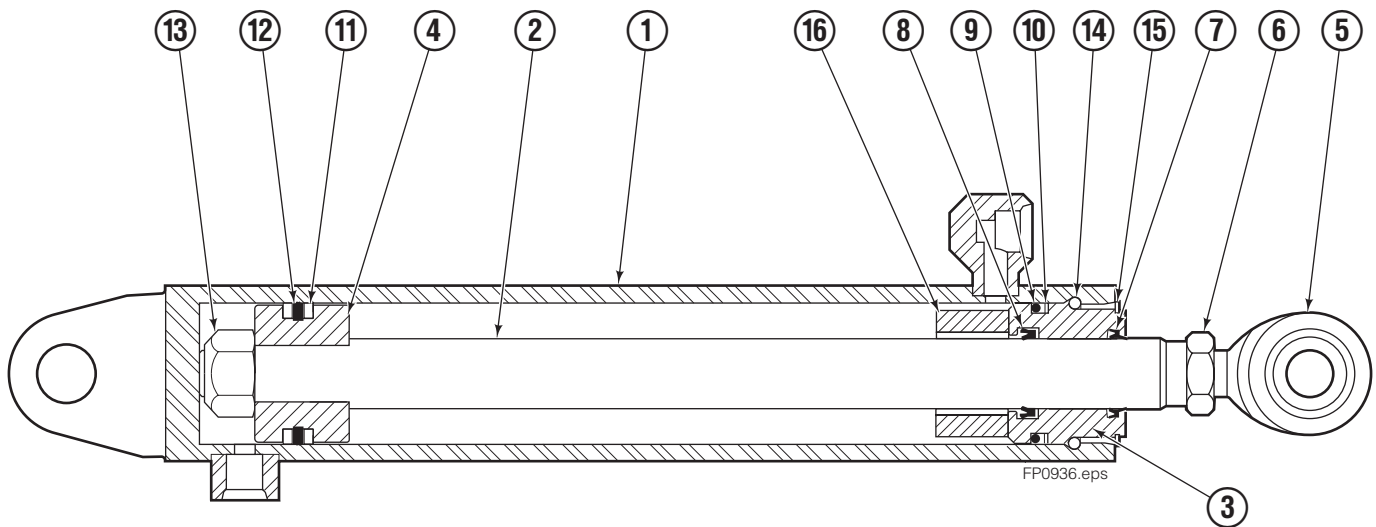
● Includes items 1 through 6.

□ Includes items 7 through 24.

■ Included in Flow Divider Group 209504.

Reference: S-4099, SK-6042.

# Cylinder Assembly - Left Hand



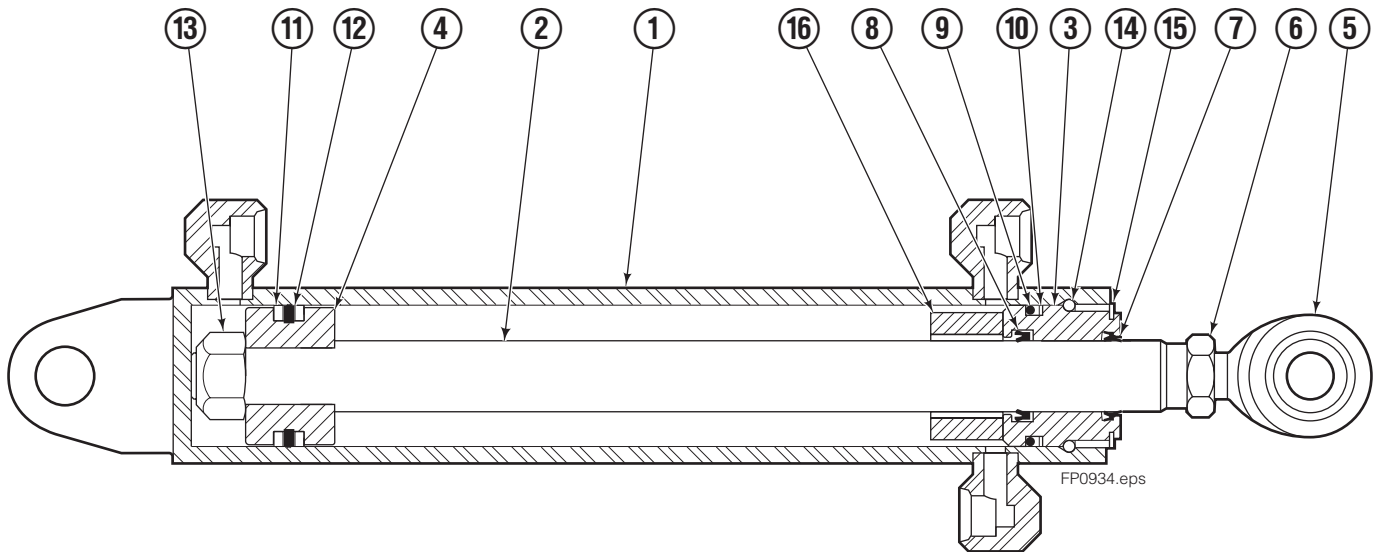
100F			
REF	QTY	PART NO.	DESCRIPTION
		209488	Cylinder Assembly - 61" ■
1	1	564488	Shell
2	1	564495	Rod
3	1	564451	Retainer
4	1	6111613	Piston
5	1	564452	Rod End
6	1	5721	Nut
7	1	564408	▲ Rod Wiper
8	1	564406	▲ Rod Seal
9	1	562127	▲ O-Ring
10	1	563388	▲ Back-Up Ring
11	2	563278	▲ O-Ring
12	1	564141	▲ Piston Seal
13	1	678019	Piston Nut
14	1	562942	Retaining Ring
15	1	562951	Snap Ring
16	1	—	Spacer
		564453	Service Kit

■ Carriage width.

▲ Included in Service Kit 564453.

Reference: S-6142, S-6147.

# Cylinder Assembly - Right Hand



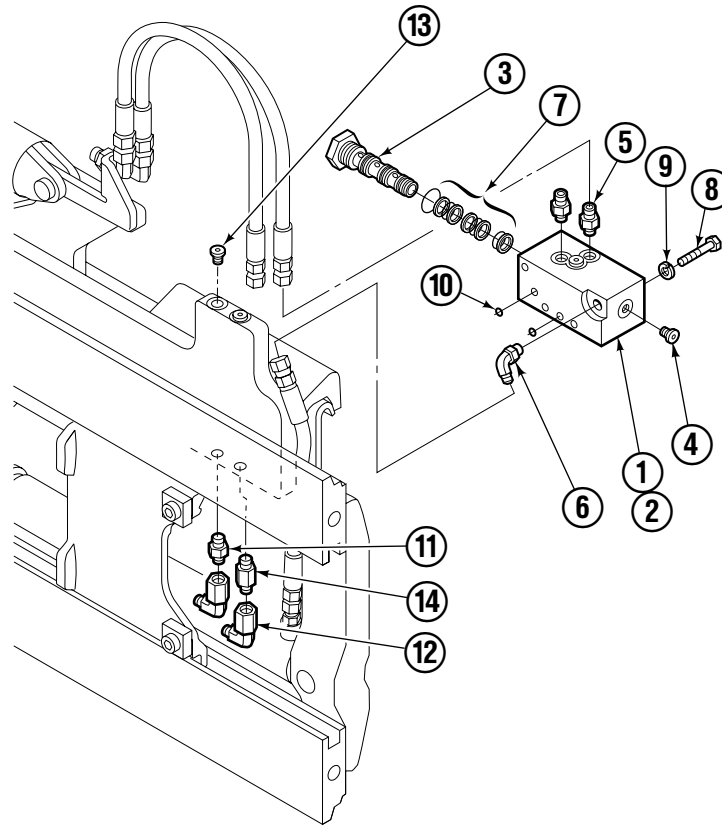
100F			
REF	QTY	PART NO.	DESCRIPTION
		209495	Cylinder Assembly - 61" ■
1	1	564502	Shell
2	1	564495	Rod
3	1	564451	Retainer
4	1	6111613	Piston
5	1	564452	Rod End
6	1	5721	Nut
7	1	564408	▲ Rod Wiper
8	1	564406	▲ Rod Seal
9	1	562127	▲ O-Ring
10	1	563388	▲ Back-Up Ring
11	2	563278	▲ O-Ring
12	1	564141	▲ Piston Seal
13	1	678019	Piston Nut
14	1	562942	Retaining Ring
15	1	562951	Snap Ring
16	1	—	Spacer
		564453	Service Kit

■ Carriage width.

▲ Included in Service Kit 564453.

Reference: S-6143, S-6148.

# Flow Divider Group



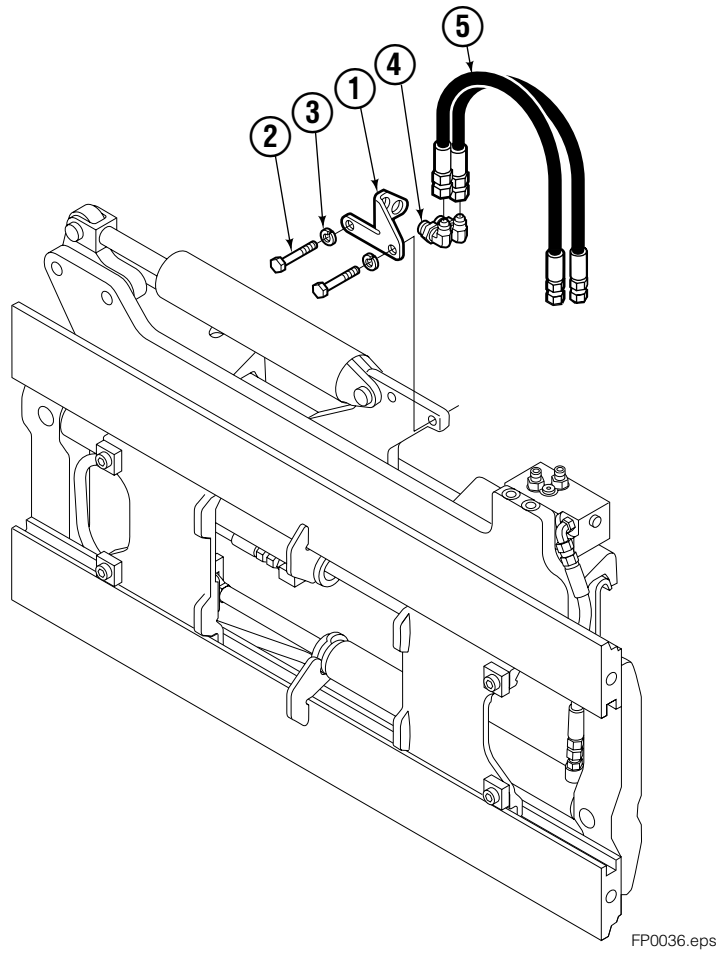
FP0035.iii

<b>100F</b>			
REF	QTY	PART NO.	DESCRIPTION
		209504	Flow Divider Group
1	1	209310	Valve ■
2	1	209311	Valve Body
3	1	201527	Cartridge-Combiner
4	2	663694	Fitting, 3
5	2	604511	Fitting, 6-6
6	1	601676	Fitting, 6-6
7	1	679992	Service Kit
8	3	685105	Capscrew
9	3	678993	Lockwasher
10	2	207300	O-Ring
11	1	604511	Fitting, 6-6
12	2	2680	Fitting, 6-6
13	2	604510	Fitting, 6
14	1	605743	Fitting, 6-6

■ Includes items 1 through 7.

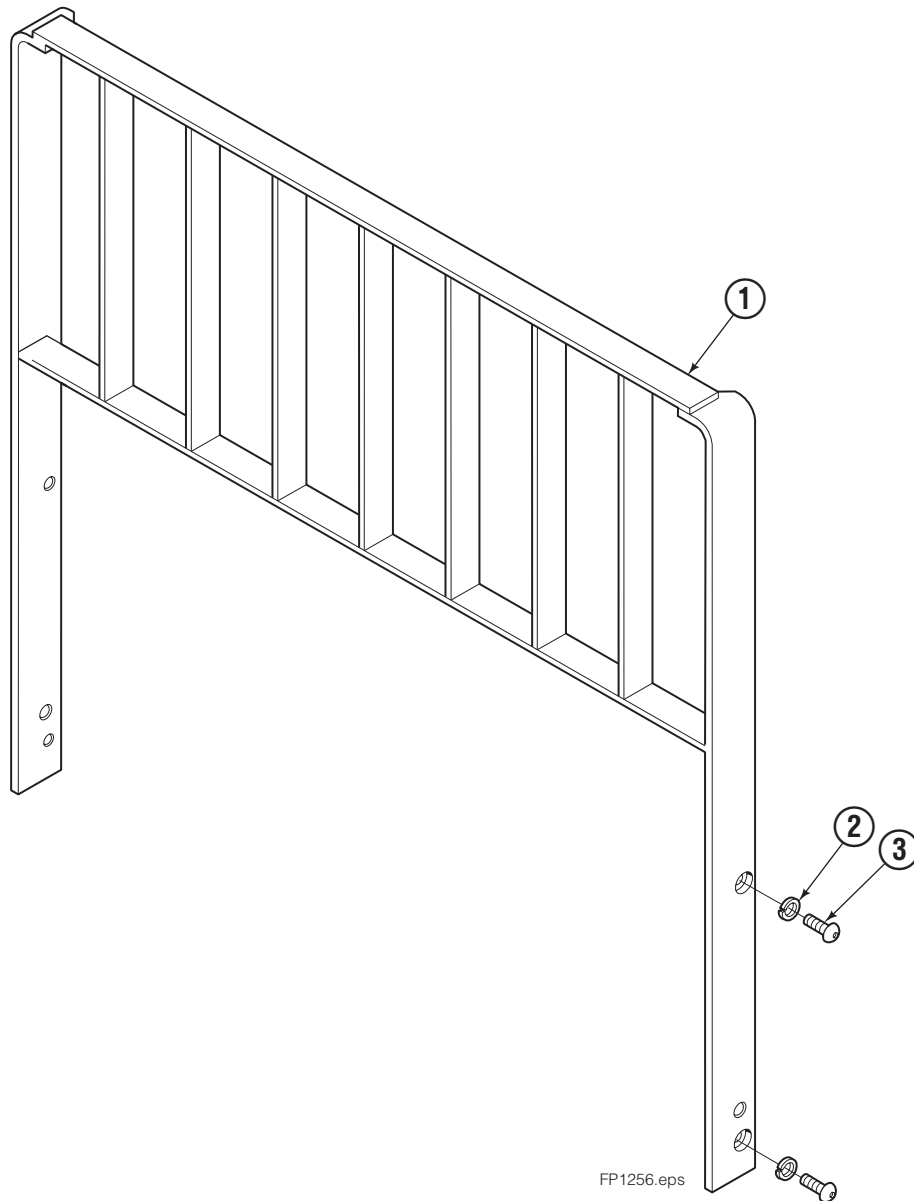


# Standard Installation Group



<b>100F</b>			
REF	QTY	PART NO.	DESCRIPTION
		209506	Installation Group
1	1	207314	Bracket
2	2	762899	Capscrew, M10X20-8.8
3	2	681238	Lockwasher
4	2	2453	Fitting, 8-8
5	2	207425	Hose

# Backrest Assembly



100F			
REF	QTY	PART NO.	DESCRIPTION
1	1	209477	Backrest - 61 x 36 ◆
2	4	684586	Lockwasher, M16
3	4	200173	Capscrew, M16 x 35

◆ Width x Height.

Reference: Common Parts 684740, S-4098, S-3370.



**Do you have questions you need answered right now?**

Call your nearest Cascade Parts Department.

Visit us online at [www.cascorp.com](http://www.cascorp.com)

**AMERICAS**

**Cascade Corporation  
Parts Sales**

2501 Sheridan Ave.  
Springfield, OH 45505  
Tel: 888-CASCADE (227-2233)  
Fax: 888-329-0234

**Cascade Canada Inc.**

5570 Timberlea Blvd.  
Mississauga, Ontario  
Canada L4W-4M6  
Tel: 905-629-7777  
Fax: 905-629-7785

**Cascade do Brasil**

Praça Salvador Rosa,  
131/141-Jordanópolis,  
São Bernardo do Campo - SP  
CEP 09891-430  
Tel: 55-13-2105-8800  
Fax: 55-13-2105-8899

**EUROPE-AFRICA**

**Cascade Italia S.R.L.  
European Headquarters**

Via Dell'Artigianato 1  
37030 Vago di Lavagno (VR)  
Italy  
Tel: 39-045-8989111  
Fax: 39-045-8989160

**Cascade (Africa) Pty. Ltd.**

PO Box 625, Isando 1600  
60A Steel Road  
Sparton, Kempton Park  
South Africa  
Tel: 27-11-975-9240  
Fax: 27-11-394-1147

**ASIA-PACIFIC**

**Cascade Japan Ltd.**

2-23, 2-Chome,  
Kukuchi Nishimachi  
Amagasaki, Hyogo  
Japan, 661-0978  
Tel: 81-6-6420-9771  
Fax: 81-6-6420-9777

**Cascade Korea**

121B 9L Namdong Ind.  
Complex, 691-8 Gojan-Dong  
Namdong-Ku  
Inchon, Korea  
Tel: +82-32-821-2051  
Fax: +82-32-821-2055

**Cascade-Xiamen**

No. 668 Yangguang Rd.  
Xinyang Industrial Zone  
Haicang, Xiamen City  
Fujian Province  
P.R. China 361026  
Tel: 86-592-651-2500  
Fax: 86-592-651-2571

**Cascade India Material  
Handling P Ltd**

Sy no 271/8, Ingawale Patil  
Estate,  
Godown No.9,10 & 11, Bhugaon,  
Off Paud Road, Tal Mulshi, Dist  
Pune 411 042

**Cascade Australia Pty. Ltd.**

36 Kiln Street  
Darra QLD 4076  
Australia  
Tel: 1-800-227-223  
Fax: +61 7 3373-7333

**Cascade New Zealand**

15 Ra Ora Drive  
East Tamaki, Auckland  
New Zealand  
Tel: +64-9-273-9136  
Fax: +64-9-273-9137

**Sunstream Industries  
Pte. Ltd.**

18 Tuas South Street 5  
Singapore 637796  
Tel: +65-6795-7555  
Fax: +65-6863-1368

