



# Parts Manual

---

Model \_\_\_\_\_ Fork Postioner \_\_\_\_\_

Catalog Number \_\_\_\_\_ 100C-FPS-335 \_\_\_\_\_

---

**cascade**®  
**corporation**

**For Technical Assistance call:** 800-227-2233, Fax: 888-329-8207

**To Order Parts call:** 888-227-2233, Fax: 888-329-0234

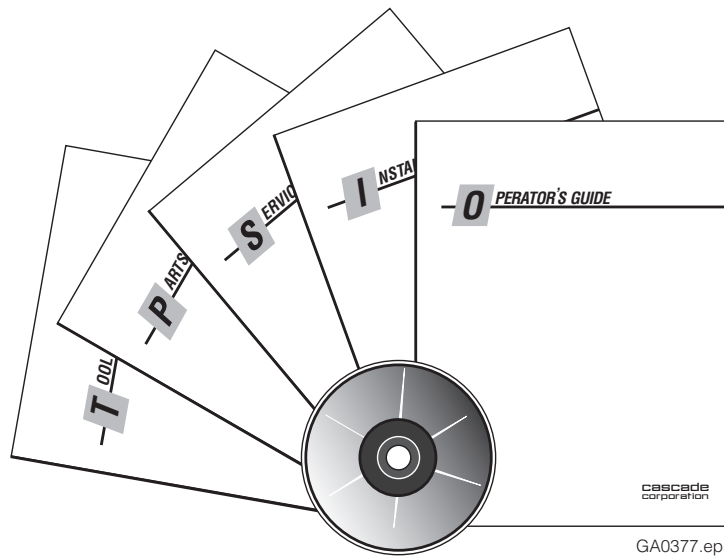
**OR**

**Write:** Cascade Corporation, P.O. Box 20187, Portland, OR 97220

**Internet:** [www.cascorp.com](http://www.cascorp.com)

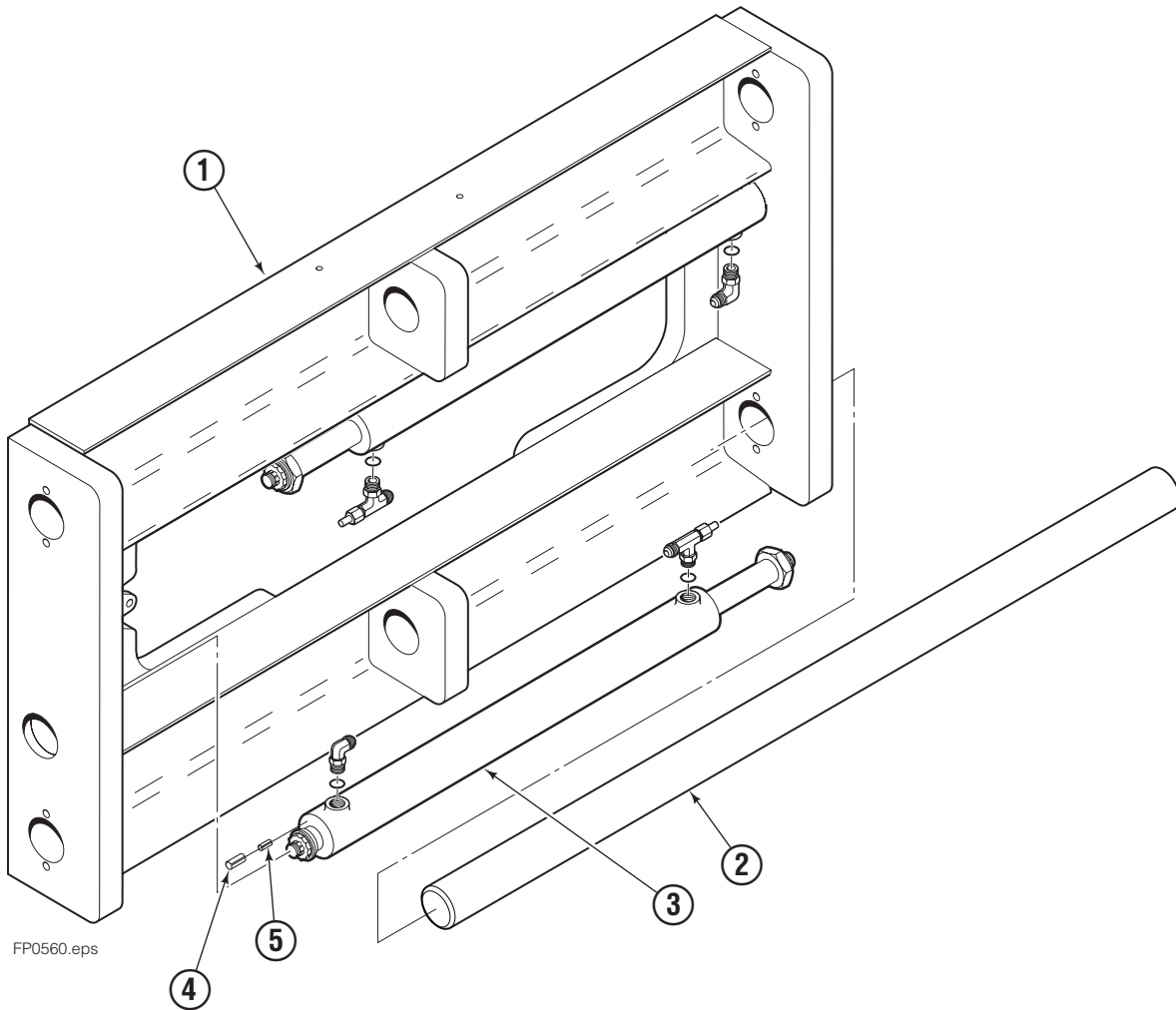
Blank

# Publications



<b>C-Series</b>	
<b>PART NO.</b>	<b>DESCRIPTION</b>
6009757	Service Manual
219989	Operators Guide
219990	Installation Instructions
679929	Tool Catalog

# Frame Group

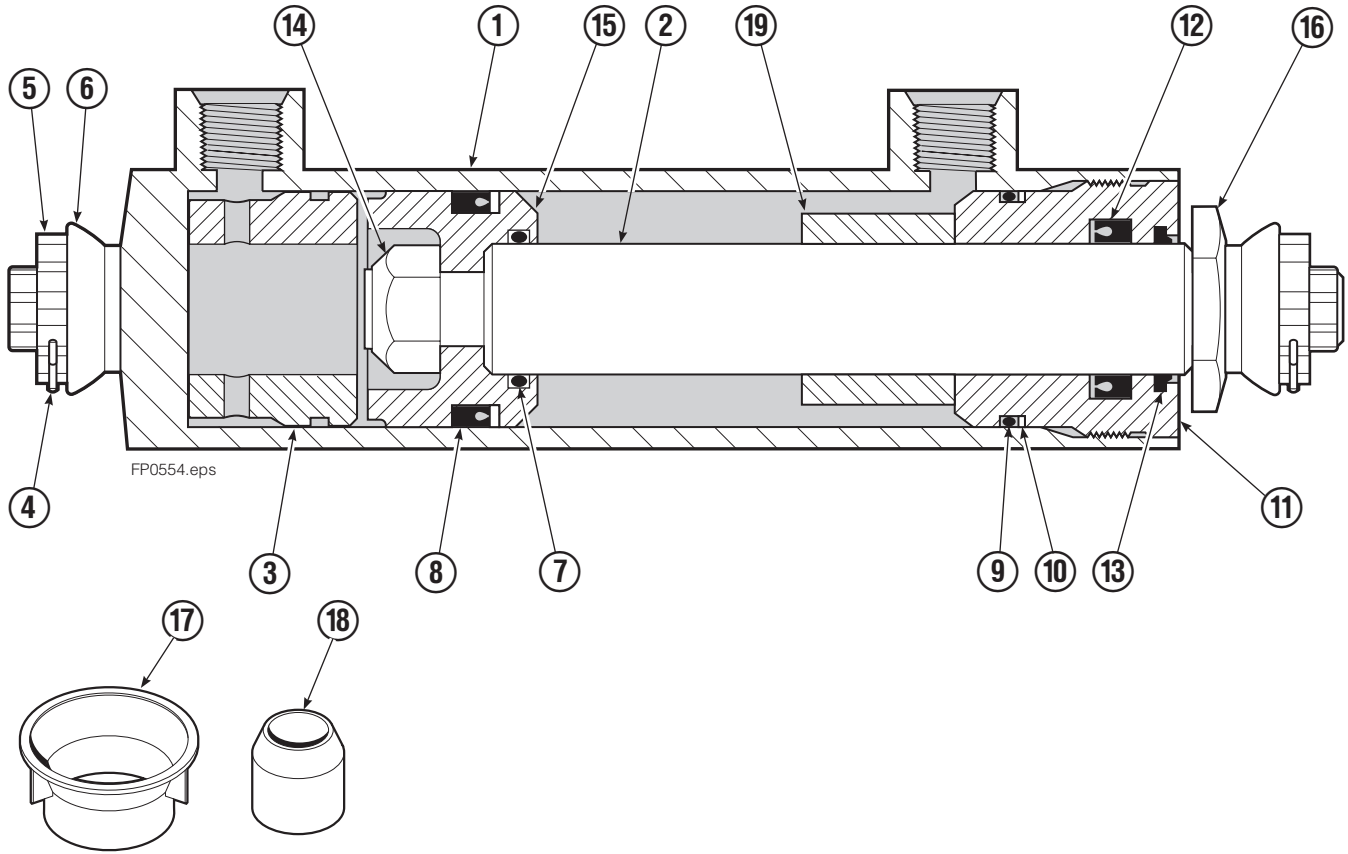


100C							
REF	QTY	PART NO.	DESCRIPTION	REF	QTY	PART NO.	DESCRIPTION
		6127542	Frame Group	5	2	7882	Roll Pin
1	1	6106687	Frame - 60 in.			381520	Hydraulic Group ■
2	2	829217	Shaft			384630	Hose Group ■
3	2	6127502	Cylinder ▲			6106697	SS Common Parts Group ■
4	2	7961	Roll Pin				

▲ See Cylinder page for parts breakdown.  
Reference: S-28167.

■ See page for parts breakdown.

# Cylinder Assembly



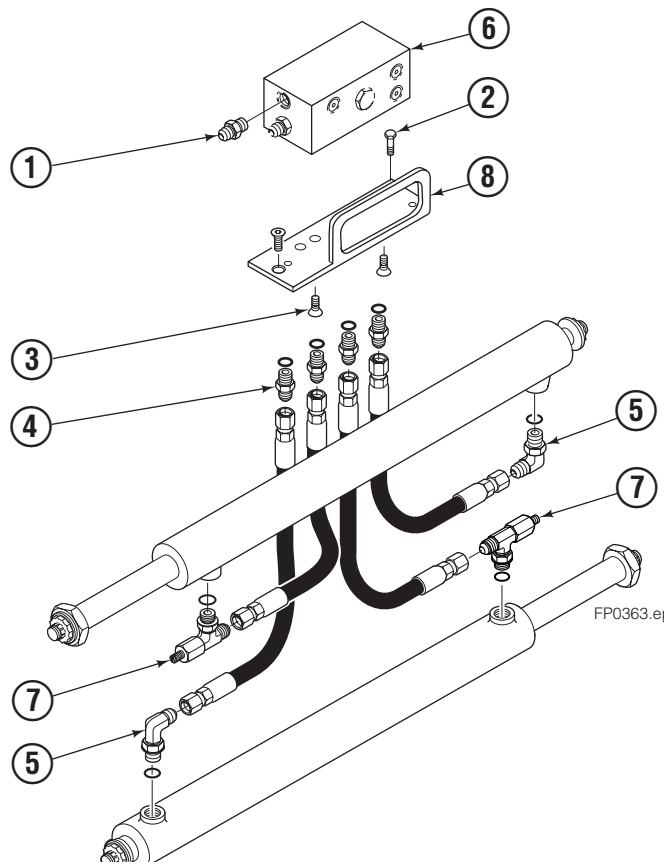
REF	QTY	PART NO.	DESCRIPTION
		383027	Cylinder Assembly
1	1	584457	Shell
2	1	584458	Rod
3	1	—	Spacer (S-20092)
4	2	6511	■ Cotter Pin
5	2	667667	■ Nut Retainer
6	2	667668	■ Nut
7	1	2722	◆ O-Ring
8	1	662457	◆ Seal
9	1	2791	◆ O-Ring
10	1	615134	◆ Back-Up Ring
11	1	667675	Retainer
12	1	662451	◆ Seal
13	1	564930	◆ Wiper
14	1	561012	Nut
15	1	558402	Piston
16	1	667676	Washer
17	1	671049	◆ Seal Loader, Piston
18	1	671052	◆ Seal Loader, Retainer
19	1	829237	Spacer (S-7645)
		667723	Service Kit

■ Included in Nut Service Kit 668925.

◆ Included in Service Kit 667723.

Reference: S-5564, S-5565.

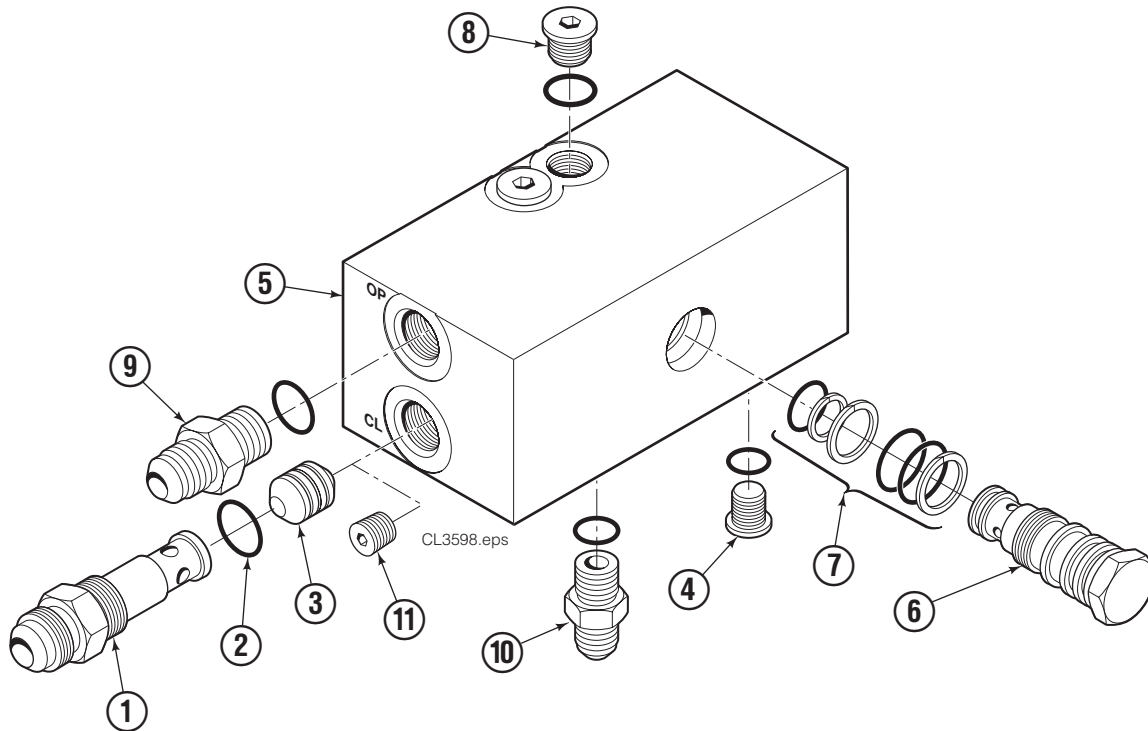
# Hydraulic Valve Group



REF	QTY	PART NO.	DESCRIPTION
		381520	Hydraulic Group
1	1	601377	Fitting, 8-8
2	1	643524	Capscrew, .375 NC x .750 GR8
3	3	4750	Capscrew, .375 NC x .750 GR8
4	4	611288	Fitting, 6-8
5	2	601676	Fitting, 6-6
6	1	6133755	Valve Assembly ◆
7	2	617487	Restrictor Fitting ●
8	1	844137	Bracket

- ◆ See Valve Assembly page for parts breakdown.
- See Restrictor Fitting page for parts breakdown.

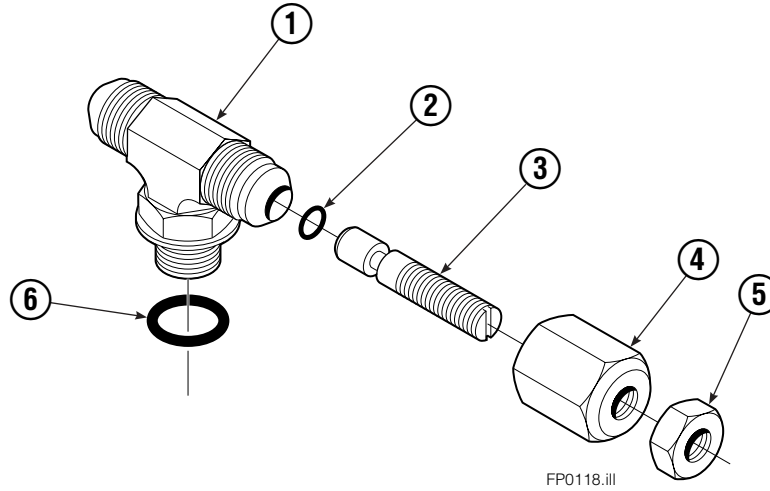
# Check Valve



REF	QTY	PART NO.	DESCRIPTION
		6133755	Check Valve – Non-Sideshifting
1	1	667490	Special Fitting
2	1	2841	O-Ring ●
3	1	667471	Spool
4	3	609455	Fitting, 5
5	1	6133756	Valve Body
6	1	678270	Check Valve – VPO
7	1	661347	Cartridge Service Kit ●
8	2	604510	Fitting, 6
9	1	601377	Fitting, 8-8
10	4	604511	Fitting, 6-6
11	1	676343	Regeneration Elimination Kit
		668864	Valve Service Kit

● Included in Service Kit 668864.

# Restrictor Fitting

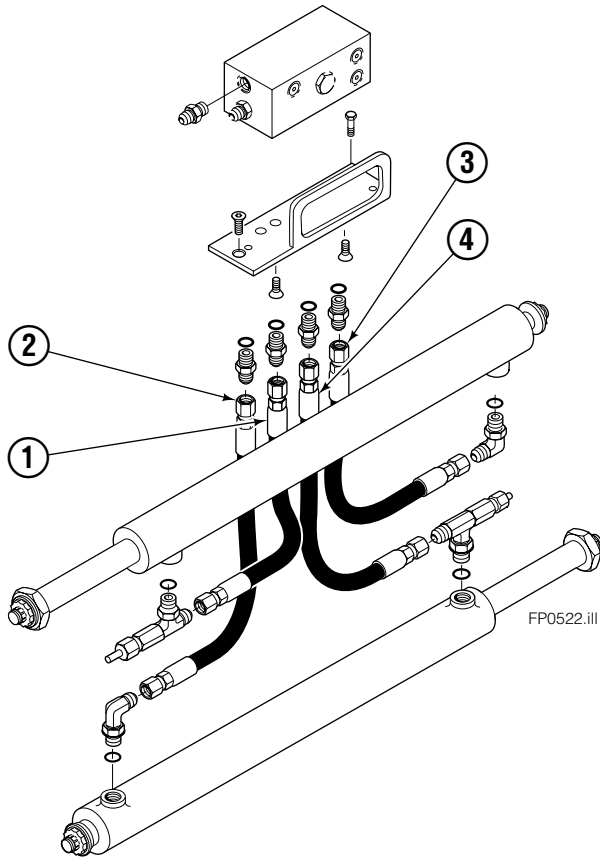


FP0118.ill

REF	QTY	PART NO.	DESCRIPTION
		617487	Restrictor Assembly
1	1	617486	Tee
2	1	2698	O-Ring
3	1	11100	Setscrew
4	1	11099	Cap
5	1	5715	Jam Nut
6	1	2840	O-Ring



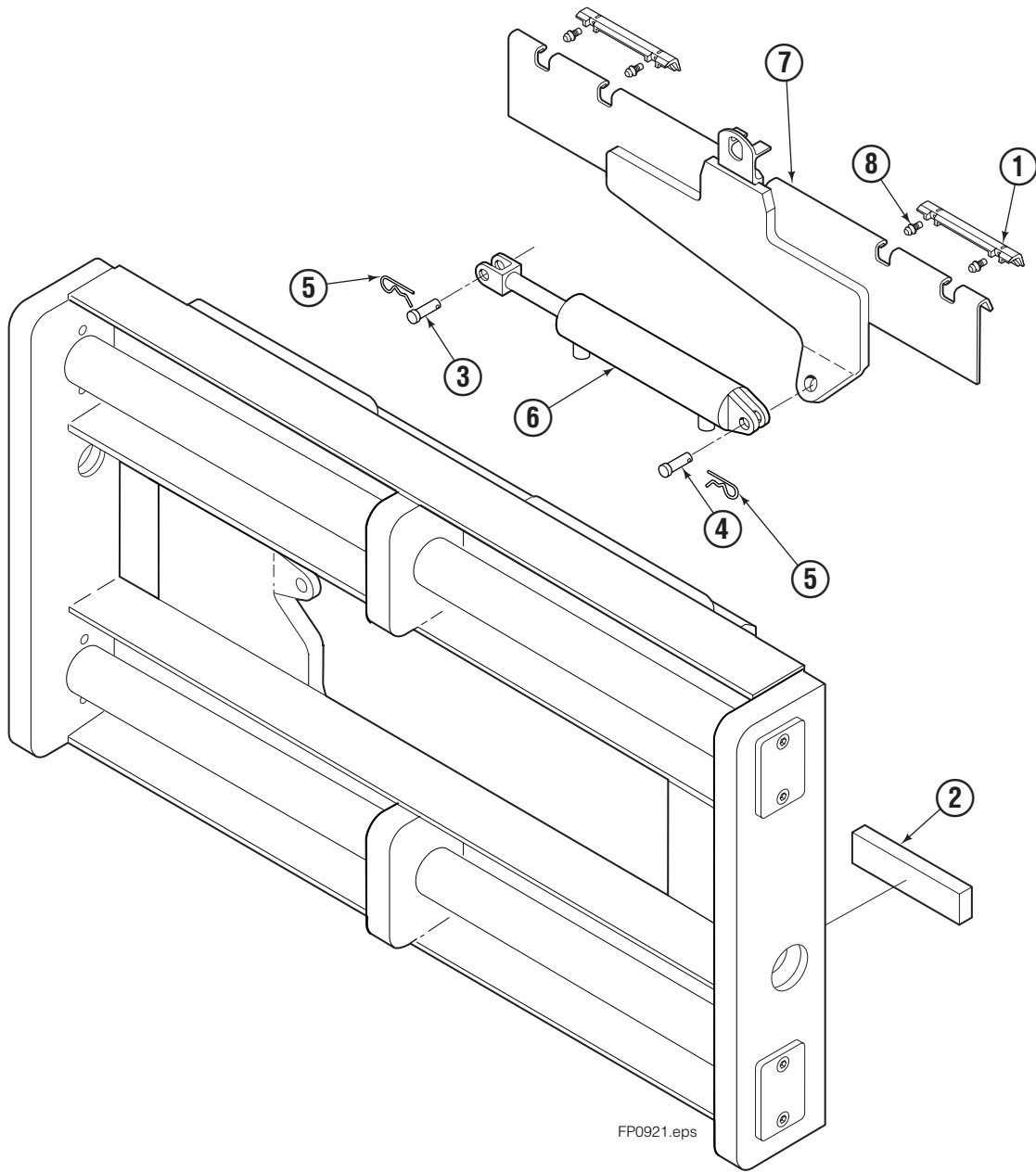
# Hose Group



REF	QTY	PART NO.	DESCRIPTION
		384630	Hose Group
1	1	686573	Hose, 60.75 in.
2	1	209535	Hose, 37.00 in.
3	1	209535	Hose, 37.00 in.
4	1	686573	Hose, 60.75 in.

Reference: S-8704.

# Sideshift Common Parts

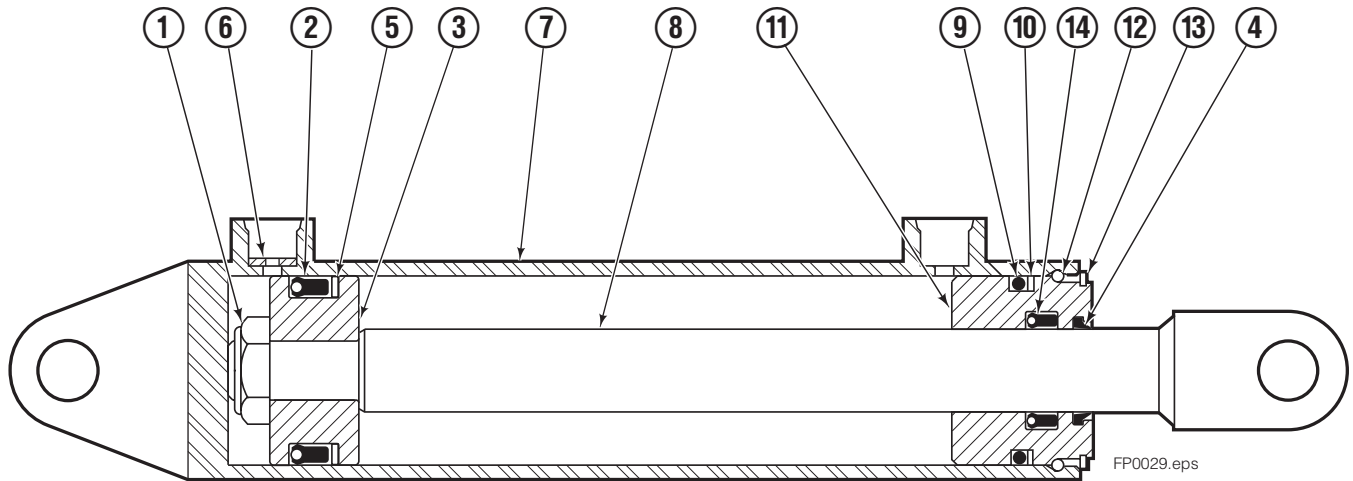


FP0921.eps

100C			
REF	QTY	PART NO.	DESCRIPTION
		6106697	Sideshift Common Parts
1	2	672018	Upper Bearing
2	2	208350	Lower Bearing
3	1	678528	Clevis Pin
4	1	678528	Clevis Pin
5	2	672726	Cotter Pin
6	1	676649	Cylinder ♦
7	1	381523	Anchor Bracket
8	4	7403	Grease Fitting

♦ See Cylinder page for parts breakdown.

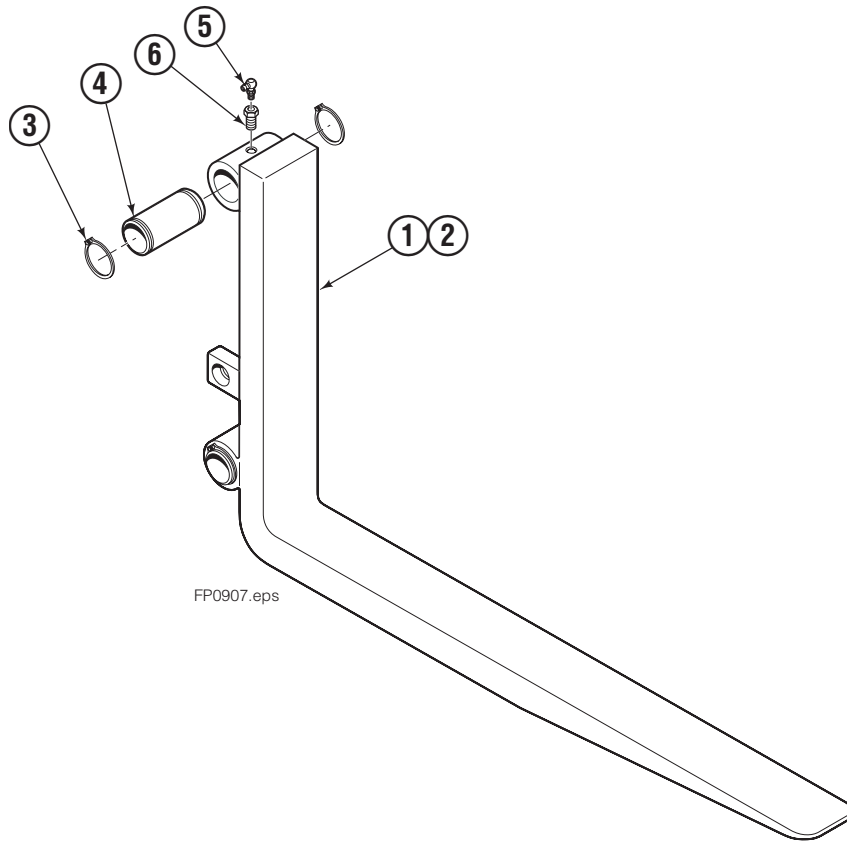
# Sideshift Cylinder Assembly



100C			
REF	QTY	PART NO.	DESCRIPTION
		676649	Cylinder Assembly
1	1	678019	Nut
2	1	662456	◆ Seal
3	1	553527	Piston
4	1	636852	◆ Wiper
5	1	649817	◆ Nylon Ring
6	1	—	Washer
7	1	6119961	Shell
8	1	6119827	Rod
9	1	2789	◆ O-Ring
10	1	615132	◆ Back-Up Ring
11	1	553528	Retainer
12	1	553688	Retaining Ring
13	1	7211	Snap Ring
14	1	662447	◆ Seal
		553866	Service Kit

◆ Included in Service Kit 553866.

# Fork Group



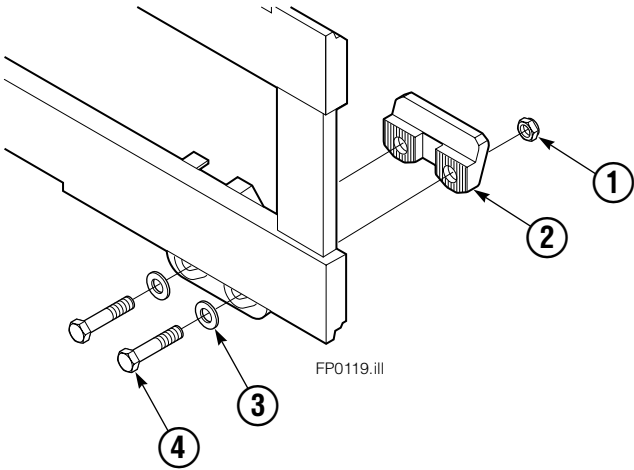
FP0907.eps

100C			
REF	QTY	PART NO.	DESCRIPTION
		214677	Fork Group, 72 in.
1	1	393961	Fork - LH
2	1	393962	Fork - RH
3	8	7217	Retaining Ring
4	4	827203	Bushing
5	1	7412	▲ Grease Fitting
6	1	3000529	▲ Adapter
	4	3000530	Lube Fitting

▲ Included in Lube Fitting 3000530.

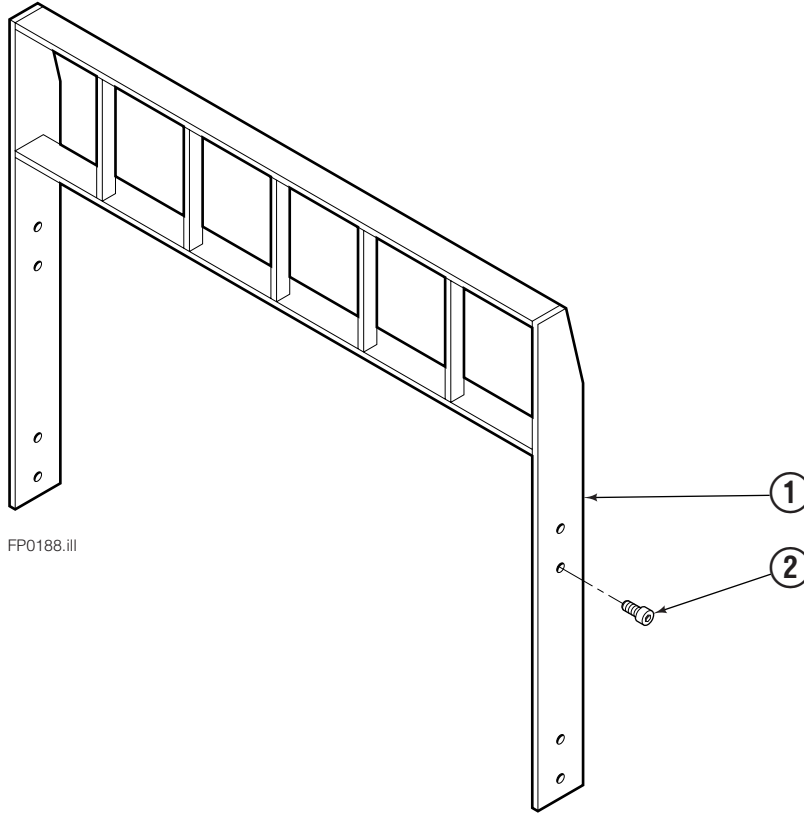
Reference: S-8613, S-8614, S-8643.

# Mounting Group



100C			
REF	QTY	PART NO.	DESCRIPTION
		6106244	Mounting Group
1	4	553857	Nut
2	2	204186	Lower Hook
3	4	667225	Washer
4	4	681047	Capscrew, 5/8 x 1-5/8

# Backrest



REF	QTY	PART NO.	DESCRIPTION
		214686	Backrest Group
1	1	831145	Backrest
2	8	4771	Capscrew

Reference: S-8616



**Do you have questions you need answered right now?**

Call your nearest Cascade Parts Department.

Visit us online at [www.cascorp.com](http://www.cascorp.com)

**AMERICAS**

**Cascade Corporation  
Parts Sales**

2501 Sheridan Ave.  
Springfield, OH 45505  
Tel: 888-CASCADE (227-2233)  
Fax: 888-329-0234

**Cascade Canada Inc.**

5570 Timberlea Blvd.  
Mississauga, Ontario  
Canada L4W-4M6  
Tel: 905-629-7777  
Fax: 905-629-7785

**Cascade do Brasil**

Praça Salvador Rosa,  
131/141-Jordanópolis,  
São Bernardo do Campo - SP  
CEP 09891-430  
Tel: 55-13-2105-8800  
Fax: 55-13-2105-8899

**EUROPE-AFRICA**

**Cascade Italia S.R.L.  
European Headquarters**

Via Dell'Artigianato 1  
37030 Vago di Lavagno (VR)  
Italy  
Tel: 39-045-8989111  
Fax: 39-045-8989160

**Cascade (Africa) Pty. Ltd.**

PO Box 625, Isando 1600  
60A Steel Road  
Sparton, Kempton Park  
South Africa  
Tel: 27-11-975-9240  
Fax: 27-11-394-1147

**ASIA-PACIFIC**

**Cascade Japan Ltd.**

2-23, 2-Chome,  
Kukuchi Nishimachi  
Amagasaki, Hyogo  
Japan, 661-0978  
Tel: 81-6-6420-9771  
Fax: 81-6-6420-9777

**Cascade Korea**

121B 9L Namdong Ind.  
Complex, 691-8 Gojan-Dong  
Namdong-Ku  
Inchon, Korea  
Tel: +82-32-821-2051  
Fax: +82-32-821-2055

**Cascade-Xiamen**

No. 668 Yangguang Rd.  
Xinyang Industrial Zone  
Haicang, Xiamen City  
Fujian Province  
P.R. China 361026  
Tel: 86-592-651-2500  
Fax: 86-592-651-2571

**Cascade India Material  
Handling P Ltd**

Sy no 271/8, Ingawale Patil  
Estate,  
Godown No.9,10 & 11, Bhugaon,  
Off Paud Road, Tal Mulshi, Dist  
Pune 411 042

**Cascade Australia Pty. Ltd.**

36 Kiln Street  
Darra QLD 4076  
Australia  
Tel: 1-800-227-223  
Fax: +61 7 3373-7333

**Cascade New Zealand**

15 Ra Ora Drive  
East Tamaki, Auckland  
New Zealand  
Tel: +64-9-273-9136  
Fax: +64-9-273-9137

**Sunstream Industries  
Pte. Ltd.**

18 Tuas South Street 5  
Singapore 637796  
Tel: +65-6795-7555  
Fax: +65-6863-1368

