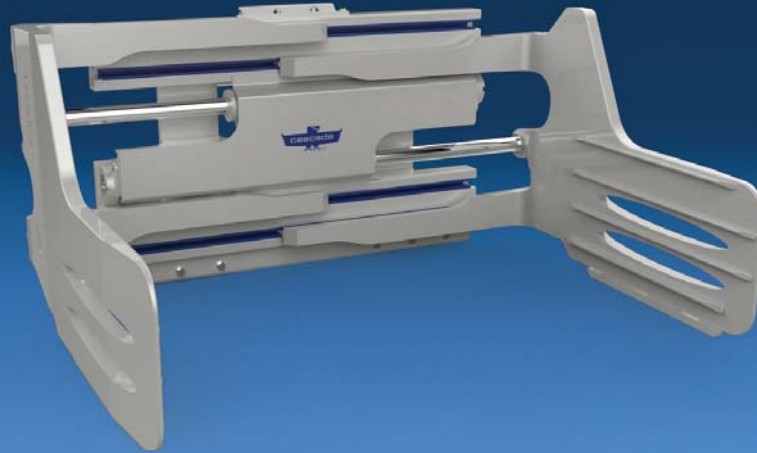


Rugged Recycling Clamp Minimizes Down Time and Provides Excellent Visibility



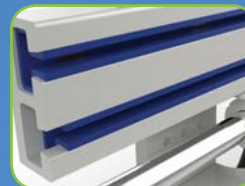
Cylinder bumper protects the hydraulic lines and cylinders from impact and debris



Arm corner casting provides superior strength over the life of the clamp



Standard adjustable pressure relief in clamp and sideshift functions



No maintenance bearings with 10,000 hour warranty



Hardened full width wear strip protects frame from damage when scraping on the ground

APPLICATIONS

Cascade Recycling Clamps are designed with full width alloy steel wear bars to endure harsh recycling environments.

J-SERIES FEATURES

Industry-leading visibility.

Efficient hydraulic system which minimizes energy consumption and maximizes performance.

- Clamp and backhand protection.
- Flow divider for equal arm movement.
- Top-mounted hydraulic cartridges and test port for ease of access and adjustment.
- Sideshift circuit relief optimizes sideshift speed and performance.

Rugged design for optimal strength, durability and performance.

- High strength steel frame.
- Lubrication-free, full length UHMW bearings.
- High strength steel castings.
- Maximum clamp force for secure handling.

Designed for convenience and performance.

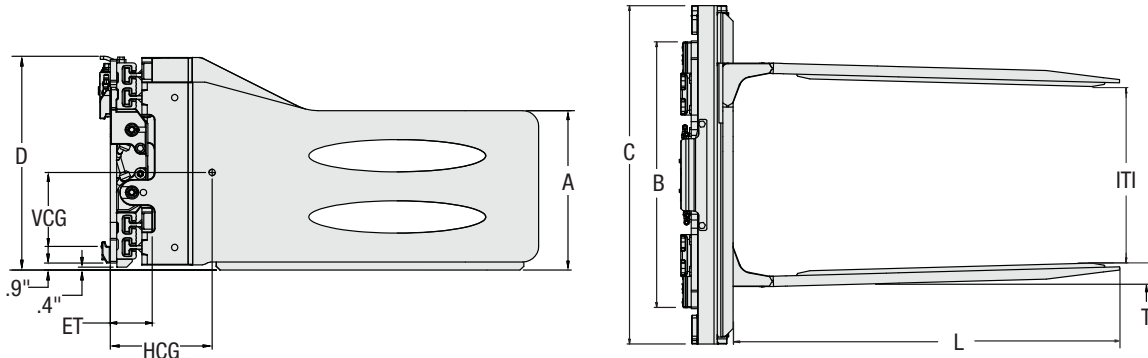
- Integrated true centering key for precise and secure installation.
- Available in two pressure offerings to match attachment to truck hydraulic system.

UNIQUE FEATURES

- Integral arm casting for added strength.
- Hardened steel full width wear bars protects frame from wear when scraping on the ground.
- Bumper/Cylinder cover.
- Full length wear tile under arms protects arms and allows better sweeping capabilities.
- Valve guard protects hydraulics located behind frame from impact and debris.
- Cylinders with metallic wiper rings to prevent foreign material entering the cylinder.

OPTIONS

- High and Low pressure hydraulics systems.
- Basic and sideshifting models.
- Independent arm control.
- Arm options available: Round bar, serrated rib & button.
- Regeneration valve (faster opening speed for low flow electric trucks).
- External sideshifting mounting available.
- Special wide open ranges available for single pass full width truck loading.
- Factory installed load backrest.
- Quick Disconnect Mounting Kit.



Catalog Order No.	Capacity@ 24" (600 mm) Load Center		Opening Range ^①	Mounting Class	Arm Size	Weight		Arm Height	Hook Spread	Effective Thickness	Horizontal Ctr. of Gravity	Vertical Ctr. of Gravity	Overall Width	Overall Height
	lbs	kg				ITI	LxT							
18J-WCS-2A-0220	3,500	1,600	18.9"-69.8"	II	27.6"x 2.2"	873	397	19.5"	32.4"	4.8"	7.8"	9.5"	41"	26.1"
18J-WCS-2A-0225	3,500	1,600	18.5"-69.4"	II	31.5"x 2.4"	898	408	19.5"	32.4"	4.8"	8.9"	9.4"	41"	26.1"
18J-WCS-2A-0230	3,500	1,600	18.1"-69.0"	II	35.4"x 2.6"	941	428	19.5"	32.4"	4.8"	10.0"	9.3"	41"	26.1"
18J-WCS-2A-0235	3,500	1,600	17.7"-68.6"	II	39.4"x 2.8"	984	447	19.5"	32.4"	4.8"	11.2"	9.2"	41"	26.1"
18J-WCS-2A-0240	3,500	1,600	16.9"-67.8"	II	47.2"x 3.1"	1,089	495	19.5"	32.4"	4.8"	13.9"	9.0"	41"	26.1"
22J-WCS-2A-0220	4,200	1,900	19.1"-72.6"	II	27.6"x 2.4"	949	431	19.5"	32.4"	5.1"	8.0"	9.5"	43"	26.1"
22J-WCS-2A-0225	4,200	1,900	18.7"-72.2"	II	31.5"x 2.6"	995	452	19.5"	32.4"	5.1"	8.9"	9.6"	43"	26.1"
22J-WCS-2A-0230	4,200	1,900	18.7"-72.2"	II	35.4"x 2.6"	1,023	465	19.5"	32.4"	5.1"	10.1"	9.3"	43"	26.1"
22J-WCS-2A-0235	4,200	1,900	18.3"-71.8"	II	39.4"x 2.8"	1,078	490	19.5"	32.4"	5.1"	11.2"	9.4"	43"	26.1"
22J-WCS-2A-0240	4,200	1,900	17.6"-71.0"	II	47.2"x 3.1"	1,195	543	19.5"	32.4"	5.1"	13.9"	9.1"	43"	26.1"
22J-WCS-3A-0220	4,200	1,900	19.1"-72.6"	III	27.6"x 2.4"	1,016	462	19.5"	32.4"	6.7"	7.4"	9.8"	43"	26.1"
22J-WCS-3A-0225	4,200	1,900	18.7"-72.2"	III	31.5"x 2.6"	1,049	477	19.5"	32.4"	6.7"	8.3"	9.6"	43"	26.1"
22J-WCS-3A-0230	4,200	1,900	18.7"-72.2"	III	35.4"x 2.6"	1,091	496	19.5"	32.4"	6.7"	9.4"	9.5"	43"	26.1"
22J-WCS-3A-0235	4,200	1,900	18.3"-71.8"	III	39.4"x 2.8"	1,132	515	19.5"	32.4"	6.7"	10.6"	9.4"	43"	26.1"
22J-WCS-3A-0240	4,200	1,900	17.6"-71.0"	III	47.2"x 3.1"	1,243	566	19.5"	32.4"	6.7"	13.3"	9.2"	43"	26.1"
26J-WCS-3A-0160	6,100	2,760	26.0"-90.6"	III	39.4"x 2.4"	1,389	632	20.7"	36.4"	5.8"	10.4"	10.8"	49"	29.7"
26J-WCS-3A-0165	6,100	2,760	25.2"-89.8"	III	47.2"x 2.8"	1,521	692	20.7"	36.4"	5.8"	12.9"	10.6"	49"	29.7"
26J-WCS-3A-0220	5,100	2,300	22.4"-76.2"	III	27.6"x 2.6"	1,189	541	20.7"	36.4"	5.8"	7.9"	11.2"	41"	29.7"
26J-WCS-3A-0225	5,100	2,300	22.4"-76.2"	III	31.5"x 2.6"	1,238	563	20.7"	36.4"	5.8"	8.9"	11.0"	41"	29.7"
26J-WCS-3A-0230	5,100	2,300	22.0"-75.8"	III	35.4"x 2.8"	1,287	585	20.7"	36.4"	5.8"	10.0"	10.9"	41"	29.7"
26J-WCS-3A-0235	5,100	2,300	22.0"-75.8"	III	39.4"x 2.8"	1,327	603	20.7"	36.4"	5.8"	11.1"	10.7"	41"	29.7"
26J-WCS-3A-0240	5,100	2,300	21.3"-75.0"	III	47.2"x 3.1"	1,464	665	20.7"	36.4"	5.8"	13.7"	10.5"	41"	29.7"

① Published opening range represents nominal clamp dimensions only and may not accommodate loads with same or close to same dimension. Consult Cascade for further assistance.

- ▶ Quick Disconnect mounting available.
- ▶ Valve configuration is RH Clamp, LH Sideshift (view from operator). Optional reverse valve configuration available.

HYDRAULIC FUNCTIONS

Model	Hydraulic Functions	Truck Auxiliary Valves Required
J-WCS	2	2

HYDRAULIC FLOW & PRESSURE

Model	Maximum Pressure (psi/bar)	Min-Rec-Max Function 1 (sideshift or revolving) gpm	Min-Rec-Max Function 2 (clamp) gpm
J-WCS	2,250/155	1-5-10	5-12-16